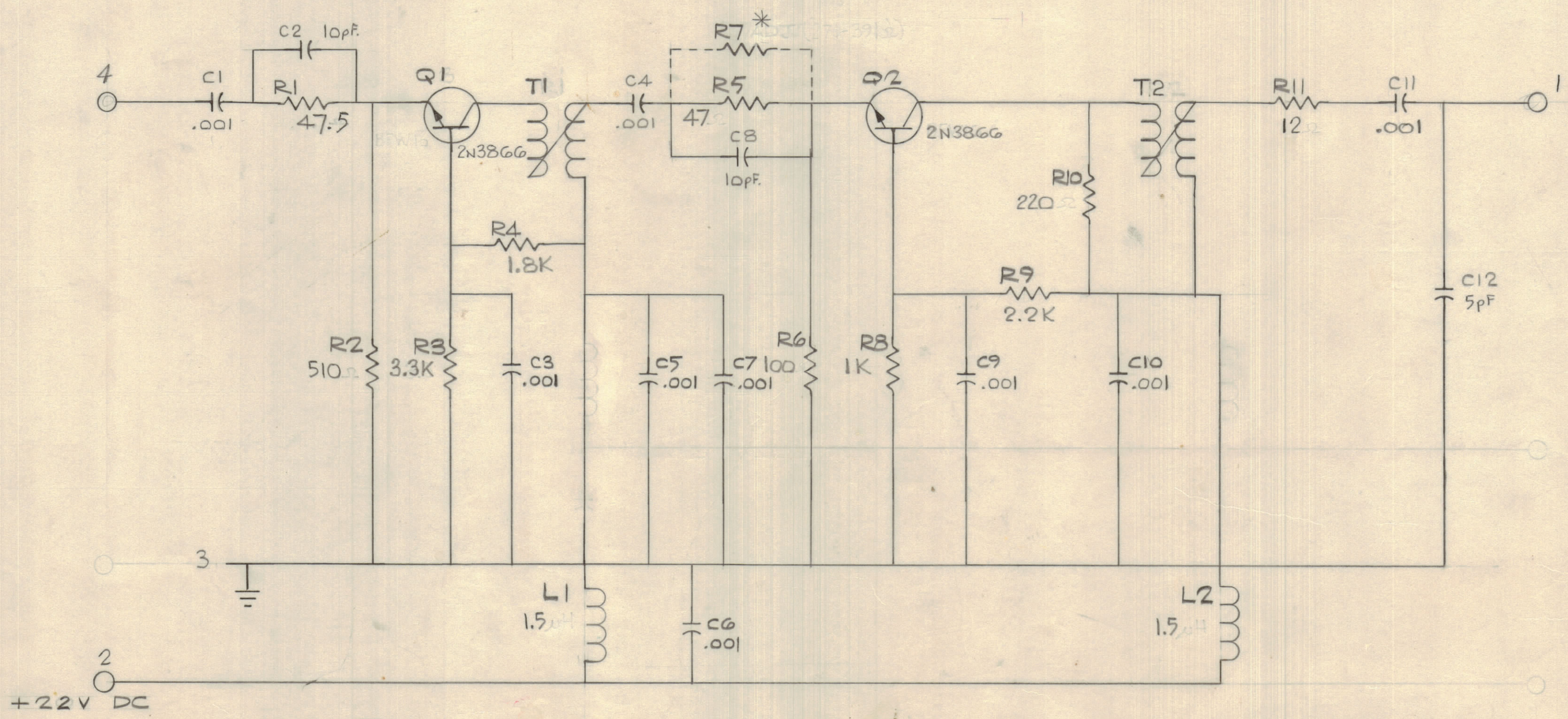


IF IT IS FOUND DESIRABLE TO CHANGE ANY TOLERANCE OR OTHER DETAIL SPECIFIED ON THIS DRAWING NOTIFY THE PURCHASER PROMPTLY.				DIMENSIONS IN INCHES UNLESS OTHERWISE SPECIFIED			
MAXIMUM ALLOWABLE TOLERANCES HAVE BEEN DETERMINED AND DEVIATIONS WILL BE CAUSE FOR REJECTION. REMOVE ALL BURNS AND SHARP EDGES.							
ISSUE	ITEM	CHANGED FROM	DATE	CN. NO.	DRAFTS	CHECKER	ENG. APP.
Q		PROD RELEASE	DEC 2-70		G.C.T.		
A		REVISED PER CEMN.	DEC 17-70	883	G.C.T.		
B		REVISED PER CEMN	FEB 15-71	908	G.C.T.		

REQ.	ITEM	PART NO.	DESCRIPTION	SYMBOL
------	------	----------	-------------	--------



CK10789 B

NOTE: RESISTANCE IN OHMS
 CAPACITANCE IN μ F
 INDUCTANCE IN μ H
 UNLESS OTHERWISE STATED
 RESISTOR MARKED THUS * SELECT ON TEST.

TOLERANCES			SCALE:
ALL OTHERS	DEC. DIM. \pm 1/64	.XX*.01	DRILL, PUNCH, COMMERCIAL STOCK
	FRAC. DIM. \pm 1/64	.XX*.01	SIZES AND MANUFACTURERS
	ANGULAR DIM. \pm 0° 30'	.XXX*.005	TOLERANCES ARE NOT INCLUDED.

VMC-8	084/70	3 SEPT 70
MODEL	PROJECT NO.	DATE
	ASSY. NO.	

TMC (Canada) LIMITED OTTAWA ONTARIO			
OUTPUT AMPLIFIER			
STOCK SIZE			
MATERIAL	WEIGHT PER PC.		
TYPE & TEMPER.	PROCTOR		
	DRAWN	ELEC. DES. APP.	MECH. DES. APP.
	CHECKED		
HEAT TREAT. SPEC.		FINAL APPROVAL	
			CK10789 B
FINISH & SPEC. NO.			