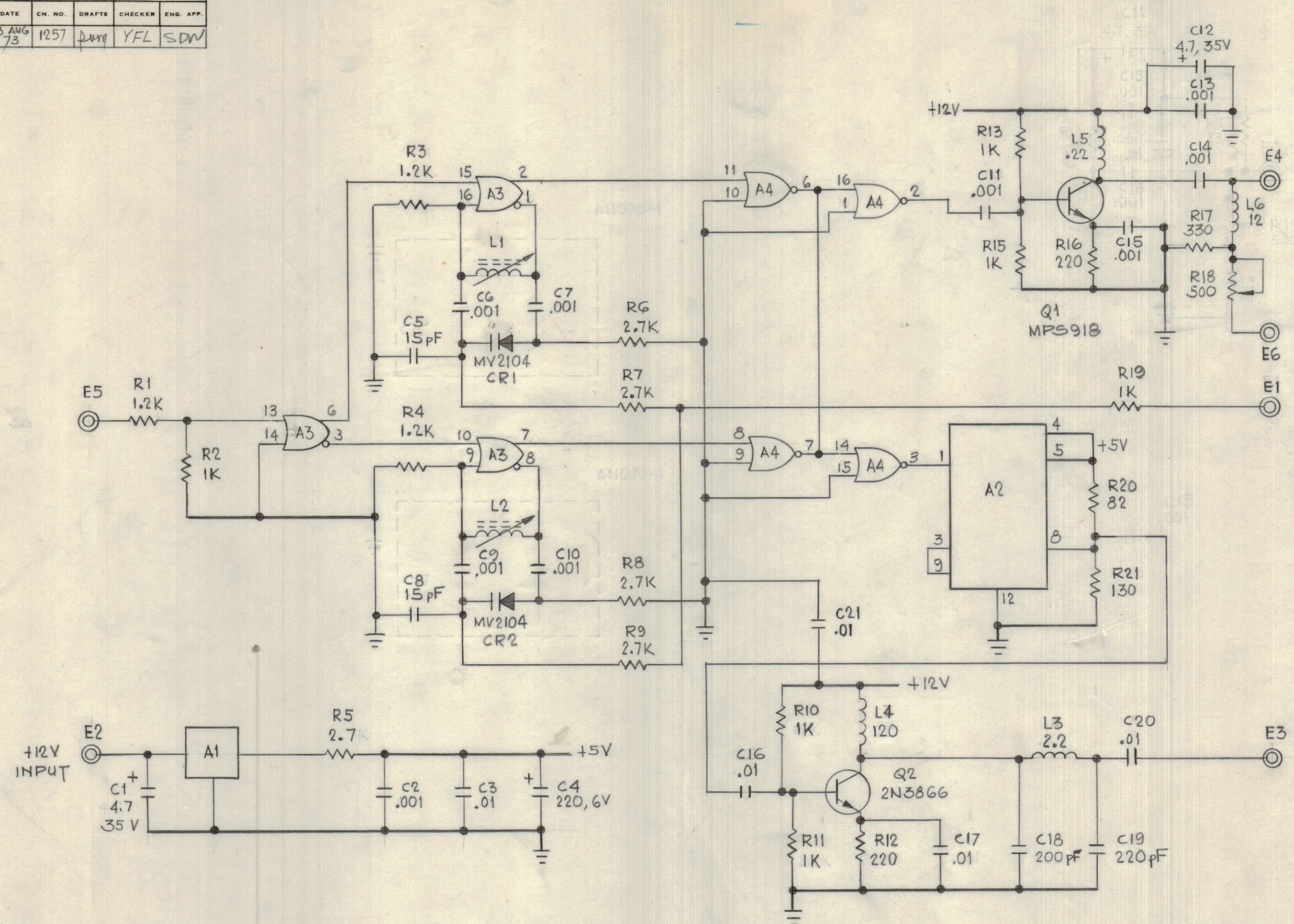


IF IT IS FOUND DESIRABLE TO CHANGE ANY TOLERANCE OR OTHER DETAIL SPECIFIED ON THIS DRAWING NOTIFY THE PURCHASER PROMPTLY.		DIMENSIONS IN INCHES UNLESS OTHERWISE SPECIFIED					
MAXIMUM ALLOWABLE TOLERANCES HAVE BEEN DETERMINED AND DEVIATIONS WILL BE CAUSE FOR REJECTION. REMOVE ALL BURRS AND SHARP EDGES.							
ISSUE	ITEM	CHANGED FROM	DATE	CN. NO.	DRAFTS	CHECKER	ENG. APP.
A		REV PER CEMN	13 AUG 73	1257	JMM	YFL	SDM

REQ.	ITEM	PART NO.	DESCRIPTION	SYMBOL
------	------	----------	-------------	--------



CK10854 A

NOTES: ~

- UNLESS OTHERWISE SPECIFIED:
 - INDUCTANCE IN MICROHENRIES
 - CAPACITANCE IN MICROFARADS
 - RESISTANCE IN OHMS, 1/4 W
- ON A2, A3 & A4. PINS 4 & 5 GO TO +5V
 PIN 12 GO TO GROUND.
 A1 - UGH7806393
 A2 - UGB95H9059X
 A3 - UGB950359X
 A4 - UGB950459X

LAST SYMBOL USED	UNUSED SYMBOLS
A4, C22, L6	R14
Q2, R21, CR2	

A3A3

TOLERANCES		SCALE:
ALL OTHERS	DEC. DIM. ± 1/64	DRILL, PUNCH, COMMERCIAL STOCK SIZES AND MANUFACTURERS TOLERANCES ARE NOT INCLUDED.
	FRAC. DIM. ± 1/64	
	ANGULAR DIM. ± 0° 30'	

MMX () 3	110/71	A11041-5	13 AUG 73
MODEL	PROJECT NO.	ASSY. NO.	DATE

STOCK SIZE		TMC (Canada) LIMITED OTTAWA ONTARIO	
MATERIAL		SCHEMATIC DIAGRAM	
WEIGHT PER PC.		MINOR LOOP V.C.O.	
TYPE & TEMPER.		JMM	
DRAWN		Y.F. LEE	S. WITTEN
HEAT TREAT. SPEC.		CHECKED	FINAL APPROVAL
FINISH & SPEC. NO.		CK10854 A	