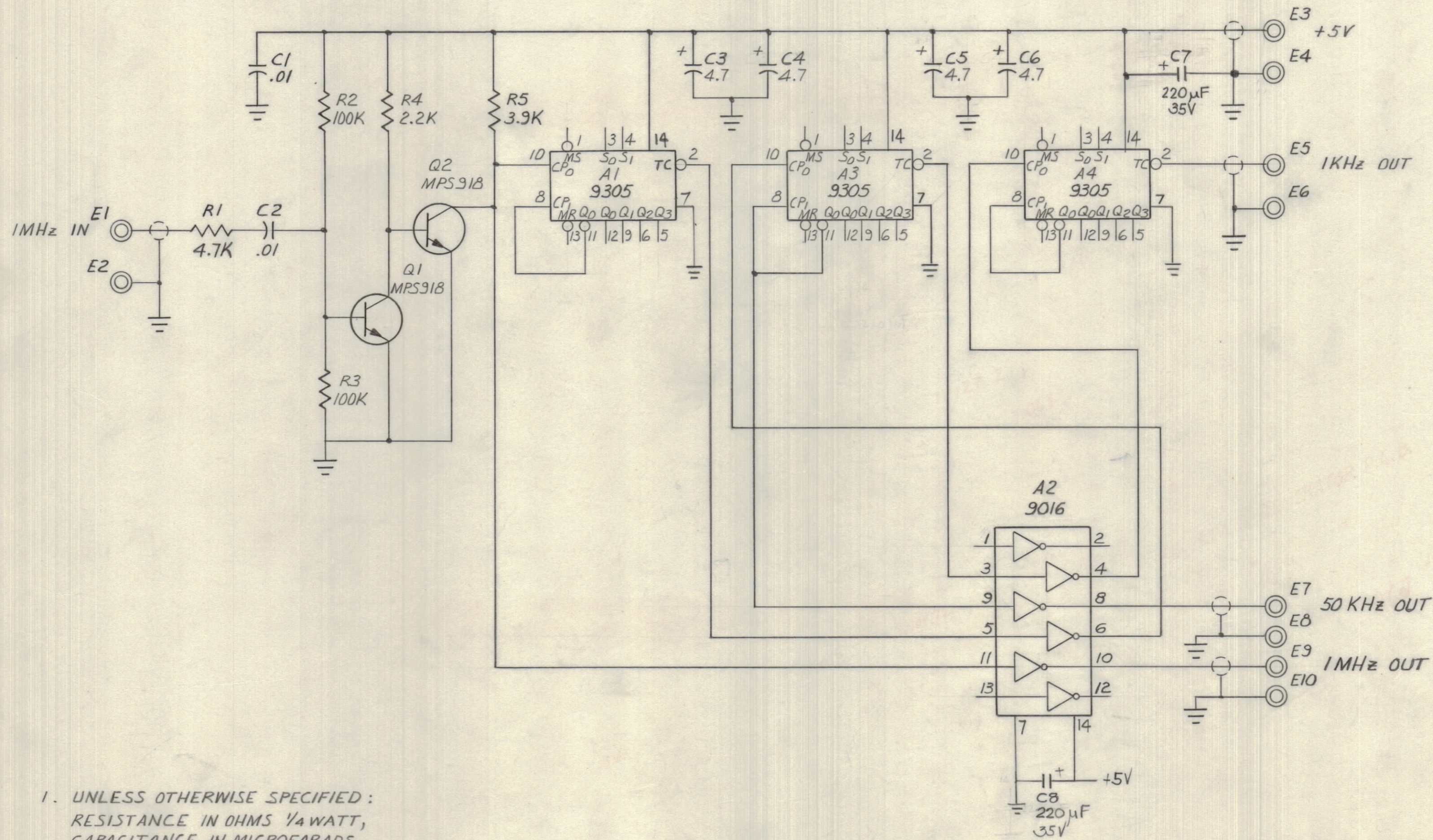


IF IT IS FOUND DESIRABLE TO CHANGE ANY TOLERANCE OR OTHER DETAIL SPECIFIED ON THIS DRAWING NOTIFY THE PURCHASER PROMPTLY.		DIMENSIONS IN INCHES UNLESS OTHERWISE SPECIFIED					
MAXIMUM ALLOWABLE TOLERANCES HAVE BEEN DETERMINED AND DEVIATIONS WILL BE CAUSE FOR REJECTION. REMOVE ALL BURRS AND SHARP EDGES.							
ISSUE	ITEM	CHANGED FROM	DATE	CN. NO.	DRAFTS	CHECKER	ENG. APP.
Ø		PROD RELEASE	4 DEC 73		MAF		SOW

REQ.	ITEM	PART NO.	DESCRIPTION	SYMBOL
------	------	----------	-------------	--------



CK10874 Ø

1. UNLESS OTHERWISE SPECIFIED:
RESISTANCE IN OHMS 1/4 WATT,
CAPACITANCE IN MICROFARADS.

NOTE

A23

TOLERANCES		SCALE:
ALL	DEC. DIM. ± .05	DRILL, PUNCH, COMMERCIAL STOCK SIZES AND MANUFACTURERS TOLERANCES ARE NOT INCLUDED.
OTHERS	FRAC. DIM. ± 1/64	
	ANGULAR DIM. ± 0° 30'	

MMX (13	110/71	A11067-5	1 NOV 72
MODEL	PROJECT NO.	ASSY. NO.	DATE

STOCK SIZE		TMC (Canada) LIMITED OTTAWA ONTARIO	
MATERIAL		P.C. BOARD SCHEMATIC REFERENCE GENERATOR	
TYPE & TEMPER		MAFLYNN	S. WITTEN
HEAT TREAT. SPEC.		DRAWN	ELEC. DES. APP. MECH. DES. APP.
FINISH & SPEC. NO.		CHECKED	FINAL APPROVAL
		CK10874 Ø	