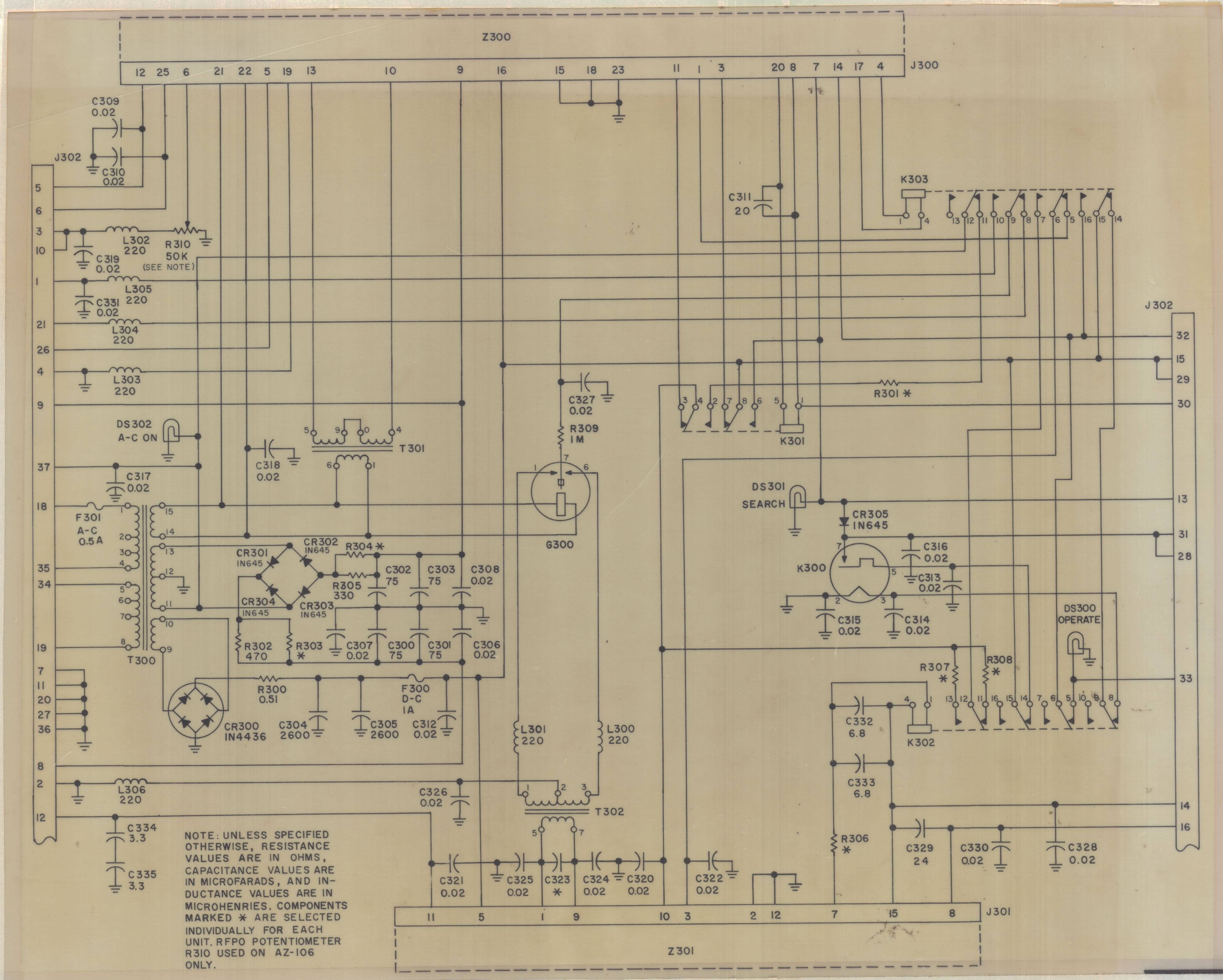


| REVISIONS | | | | | | |
|-----------|-----|---------------------------------|---------|------------|-------|------|
| ZONE | SYM | DESCRIPTION | DATE | E.M.N. NO. | DRAFT | CHKD |
| | | ORIGINAL RELEASE FOR PRODUCTION | 4-12-66 | | | GDL |



| LAST SYMBOLS |
|--------------|
| C335 |
| CR305 |
| DS302 |
| F301 |
| G300 |
| J302 |
| K303 |
| L306 |
| R310 |
| T302 |
| Z301 |

CR 1104

NOTES

| QTY./UNIT | MODEL USED ON | ASSY. NO. |
|-----------|---------------|-----------|
| 1 | TSTE-10K | AZ109 |
| 1 | TSTE-10K | AZ106 |

| REQ'D. | ITEM | PART NUMBER | DESCRIPTION | SYMBOL |
|--|------------|--|---|---------------------------------|
| BUDETTI LIST OF MATERIAL | | | | |
| THE TECHNICAL MATERIEL CORP. MAMARONECK, NEW YORK | | | | |
| TITLE DIAGRAM, SCHEMATIC (AZ 106, AZ 109) | | | | |
| SCALE | CODE | | UNLESS OTHERWISE SPECIFIED DIMENSIONS ARE IN INCHES AND INCLUDE CHEMICALLY APPLIED OR PLATED FINISHES | |
| DECIMALS 3 ± .05 XX ± .01 XXX ± .005 | TOLERANCES | FRACTIONS ± 1/64 ANGLES ± 30' | ELECT. DES. DATE MECH. DES. DATE | FINAL APPROVAL DATE SHEET |

CK 1104