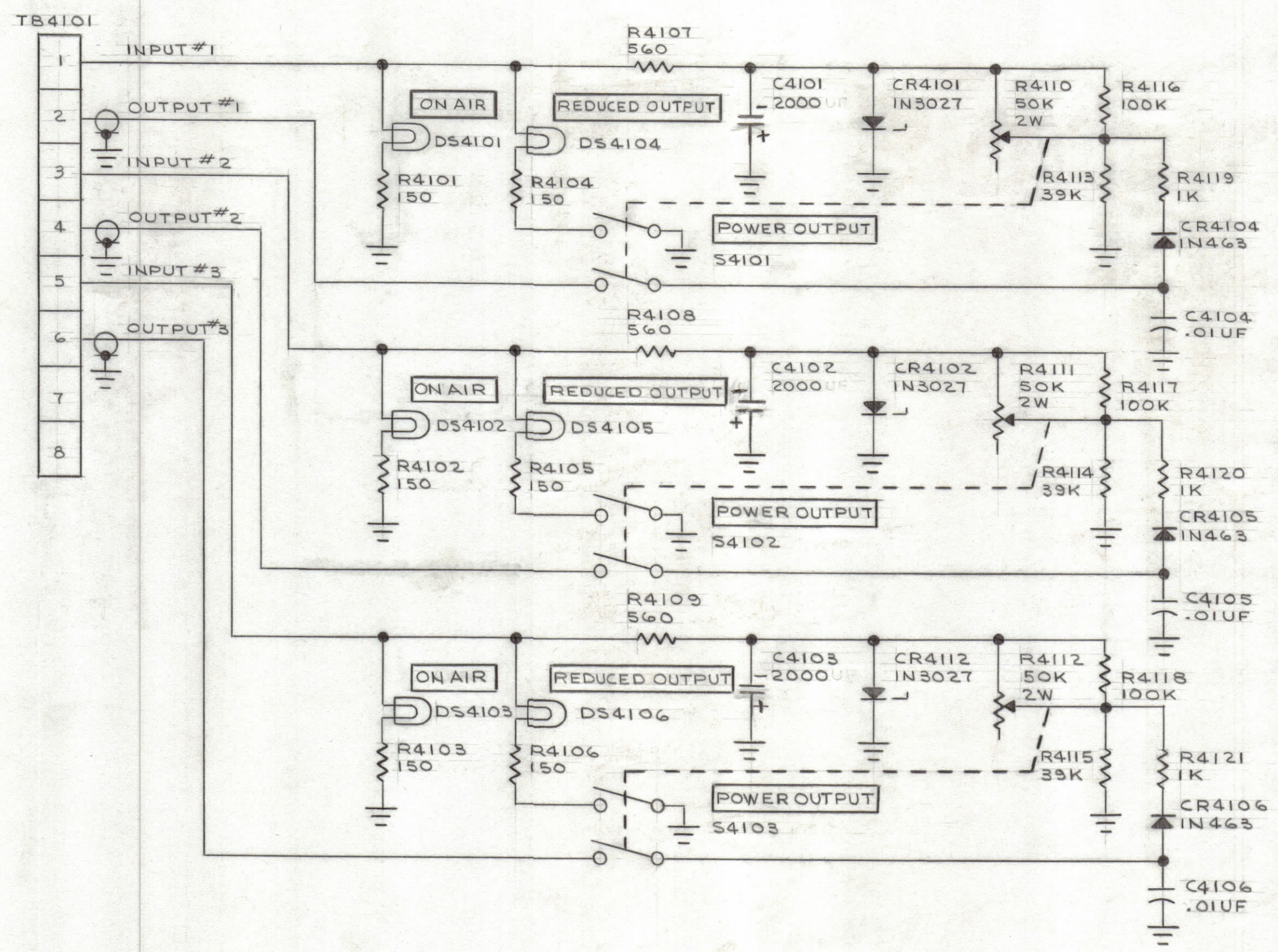


| REVISIONS | | | | | | | |
|-----------|-----|---------------------------------|---------|------------|-------|--------|------|
| ZONE | SYM | DESCRIPTION | DATE | E.M.N. NO. | DRAFT | CHKD | APPD |
| | | ORIGINAL RELEASE FOR PRODUCTION | 4-12-66 | | | G.D.L. | |



- UNLESS OTHERWISE SPECIFIED -
 1- ALL RESISTOR VALUES ARE IN OHMS, 1/2 WATT.
 2- ALL CAPACITOR VALUES ARE IN MICROFARADS.

CK1112

| REQ'D. | ITEM | PART NUMBER | DESCRIPTION | SYMBOL |
|---|------------|---|---|--|
| BODETTI LIST OF MATERIAL | | | | |
| MATERIAL | | THE TECHNICAL MATERIEL CORP. MAMARONECK, NEW YORK | | |
| FINISH | | TITLE DIAGRAM, SCHEMATIC | | |
| SCALE | | 1 LRCM-1 | AX614 | |
| Q'TY./UNIT | | MODEL USED ON | ASS'Y. NO. | |
| THE CONTENTS OF THIS DRAWING ARE THE EXCLUSIVE PROPERTY OF THE TECHNICAL MATERIEL CORP. ITS UNAUTHORIZED USE OR REPRODUCTION IN WHOLE OR IN PART IS STRICTLY FORBIDDEN. | | UNLESS OTHERWISE SPECIFIED DIMENSIONS ARE IN INCHES AND INCLUDE CHEMICALLY APPLIED OR PLATED FINISHES | | |
| DECIMALS .X ± .05 .XX ± .01 .XXX ± .005 | TOLERANCES | FRACTIONS ± 1/64 ANGLES ± 0° 30' | DRAWN J. LESHINSKI CHECKED J.M.D. ELECT. DES. MECH. DES. | DATE 4-6-66 DATE 4-7-66 DATE 4-7-66 |
| NOTES | | FINAL APPROVAL [Signature] DATE 4-7-66 | | DATE 4-7-66 |
| | | SHEET | | REV. LTR. |