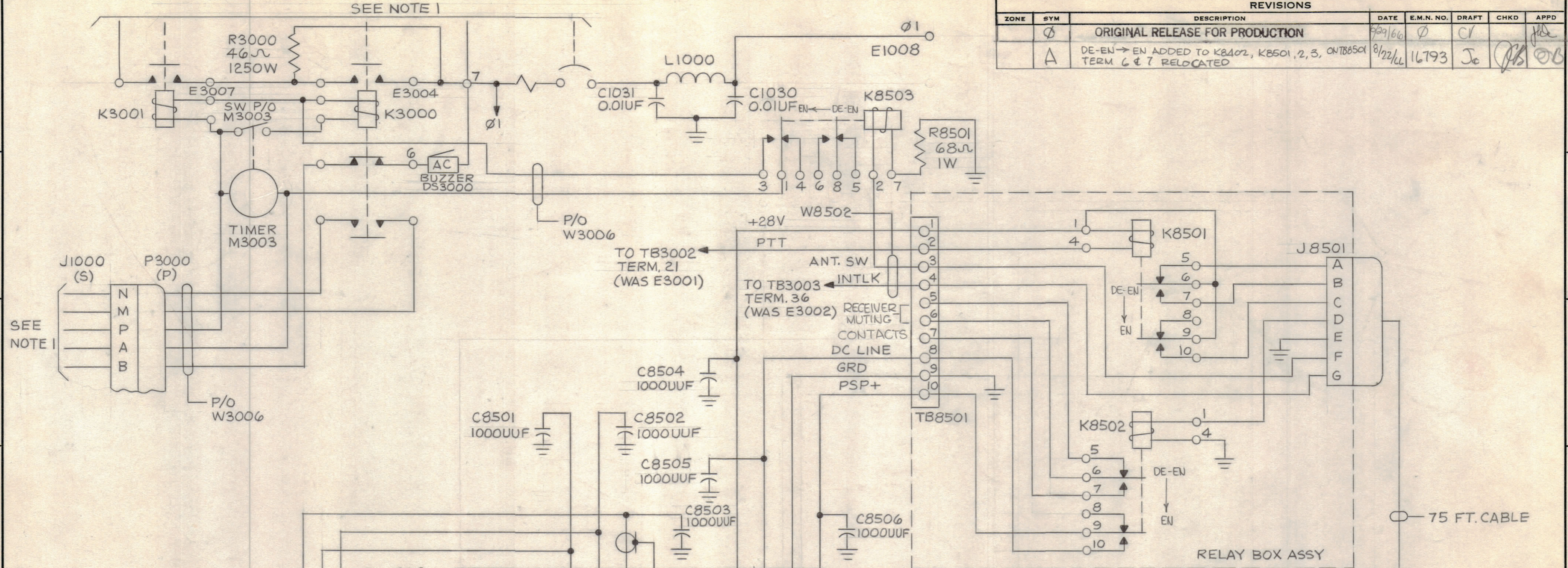
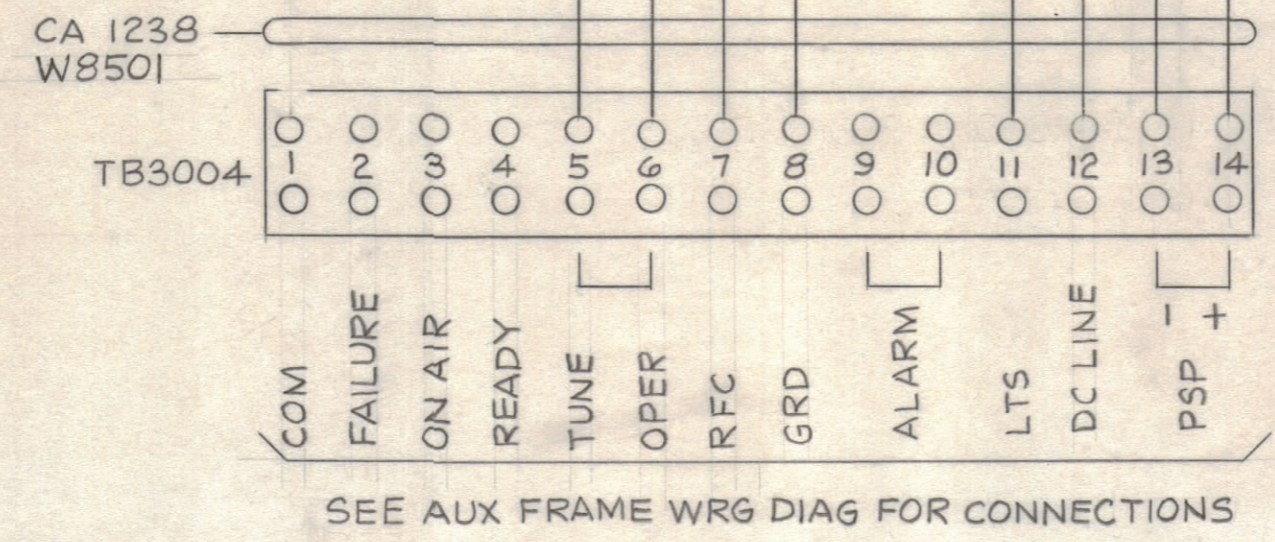


REVISIONS						
ZONE	SYM	DESCRIPTION	DATE	E.M.N. NO.	DRAFT	CHKD
	Ø	ORIGINAL RELEASE FOR PRODUCTION	6/23/66	Ø	CI	Jc
A		DE-EN → EN ADDED TO K8402, K8501, 2, 3, ON TB8501 TERM 6 & 7 RELOCATED	8/22/66	16793	Jc	Jc

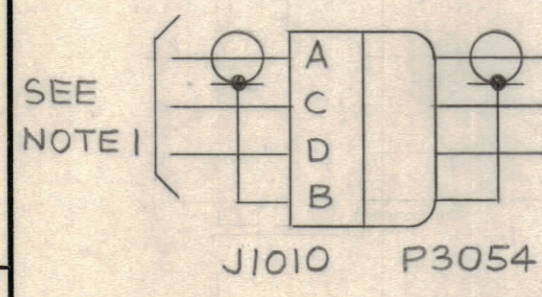
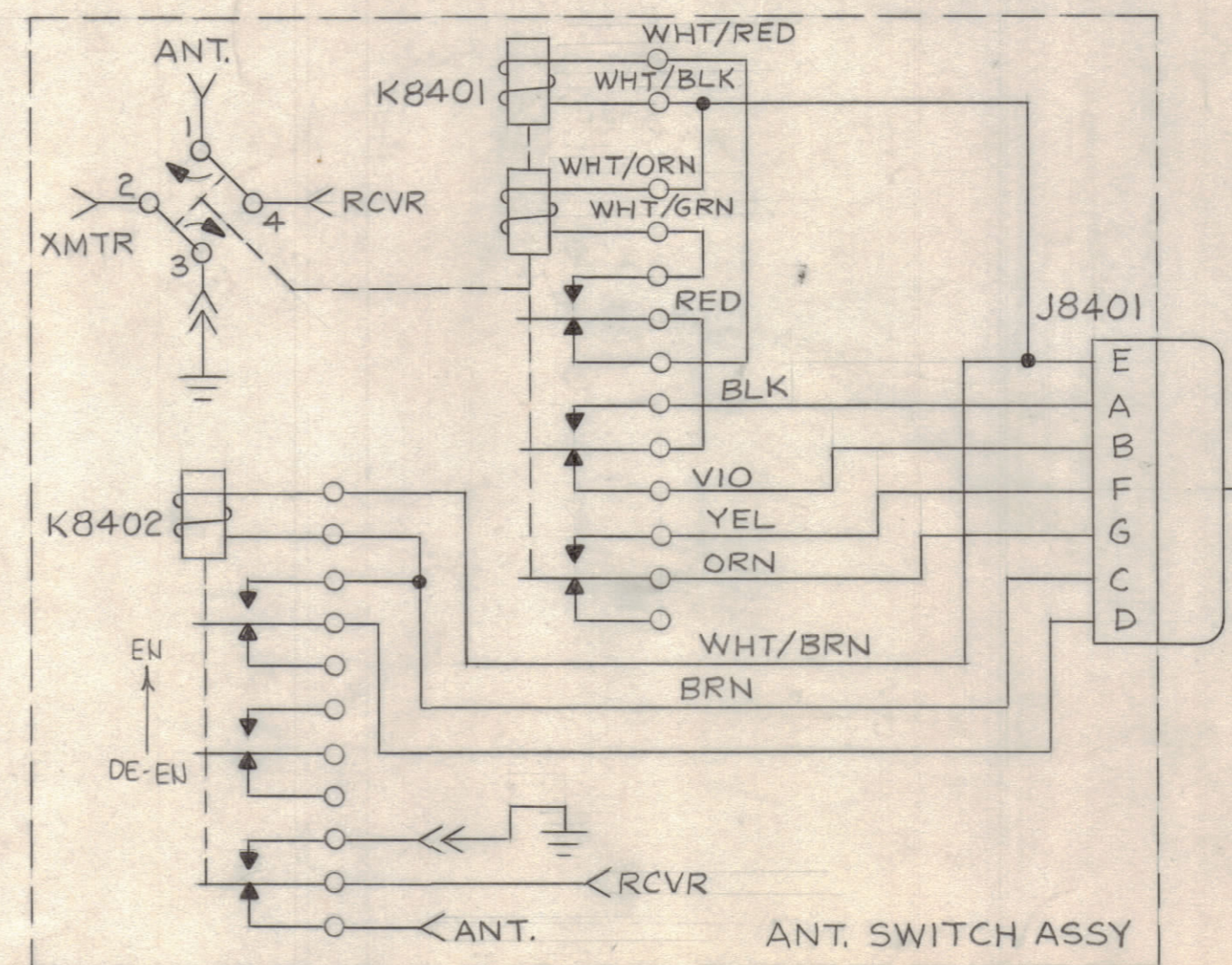


- NEW SYMBOLS
- C8501-6
 - K8501-3
 - J8501
 - R8501
 - TB8501
 - K8401
 - K8402
 - J8401
 - TB3004
 - W8502



NOTES:

- THIS SCHEMATIC SHALL BE USED IN CONJUNCTION WITH CK650 WITH THE CHANGES SHOWN AND THE FOLLOWING:
E3000 CHANGED TO TB3001
E3001 CHANGED TO TB3002
E3002 CHANGED TO TB3003



REQ'D.	ITEM	PART NUMBER	DESCRIPTION	SYMBOL
BUDETTI LIST OF MATERIAL				
MATERIAL		THE TECHNICAL MATERIEL CORP. MAMARONECK, NEW YORK		
FINISH		TITLE DIAGRAM, SCHEMATIC		
UNLESS OTHERWISE SPECIFIED DIMENSIONS ARE IN INCHES AND INCLUDE CHEMICALLY APPLIED OR PLATED FINISHES		DRAWN N. CHAPNICK	DATE 6-23-66	FINAL APPROVAL Jc
DECIMALS .X ± .05 .XX ± .01 .XXX ± .005		CHECKED Jc	DATE 6/24/66	DATE 6/29/66
FRACTIONS ± 1/64 ANGLES ± 0° 30'		ELECT. DES. Jc	DATE 6-29-66	DATE 6/29/66
TOLERANCES		MECH. DES. Jc	DATE	DATE
THE CONTENTS OF THIS DRAWING ARE THE EXCLUSIVE PROPERTY OF THE TECHNICAL MATERIEL CORP. ITS UNAUTHORIZED USE OR REPRODUCTION IN WHOLE OR IN PART IS STRICTLY FORBIDDEN.		SHEET		REV. LTR.