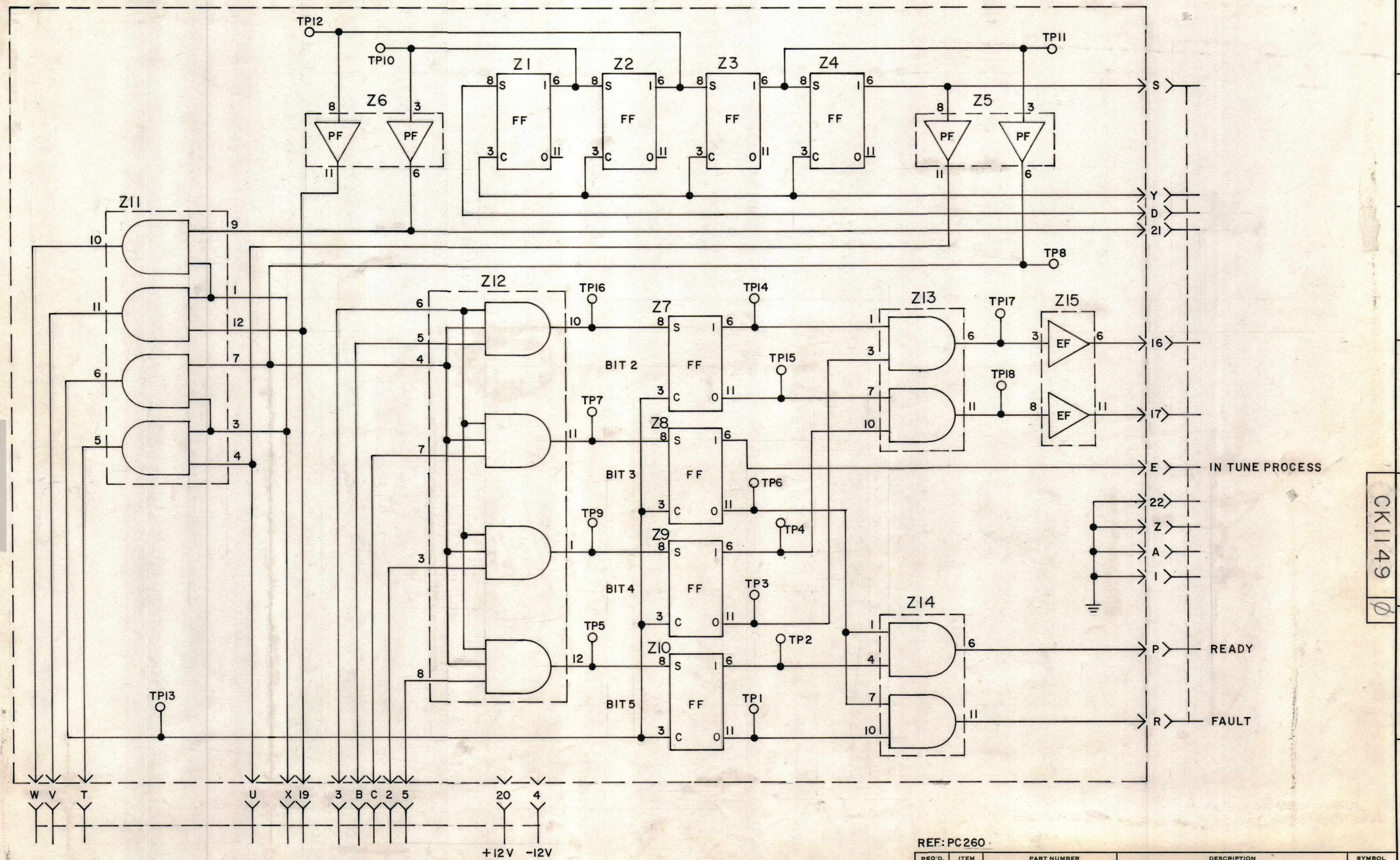


REVISIONS							
ZONE	SYM	DESCRIPTION	DATE	E.M.N. NO.	DRAFT	CHKD	APPD
Ø		ORIGINAL RELEASE FOR PRODUCTION	7/26/66			HGA	



MODULE VOLTAGE & GRD CHART

SYMBOL	PIN CONNECTIONS		
	+12 V	-12 V	GRD
Z1 THRU Z4 Z7 THRU Z10	10	2	5
Z5, Z6		2	5
Z15		2 & 7	5 & 12
Z11 THRU Z14		2	

— UNLESS OTHERWISE SPECIFIED —

1— ON FLIP FLOPS Z7—Z9, PIN 6 IS THE "1" OUTPUT & PIN 11 IS THE "0" OUTPUT.

NOTES

Q'TY./UNIT	RTIH-1	A4381
SCALE	MODEL USED ON	ASS'Y. NO.
	CODE	

THE CONTENTS OF THIS DRAWING ARE THE EXCLUSIVE PROPERTY OF THE TECHNICAL MATERIEL CORP. ITS UNAUTHORIZED USE OR REPRODUCTION IN WHOLE OR IN PART IS STRICTLY FORBIDDEN.

REF: PC260

REQ'D.	ITEM	PART NUMBER	DESCRIPTION	SYMBOL
F. EATON LIST OF MATERIAL				
MATERIAL		THE TECHNICAL MATERIEL CORP. MAMARONECK, NEW YORK		
FINISH		TITLE DIAGRAM, SCHEMATIC GATING CIRCUIT		
UNLESS OTHERWISE SPECIFIED DIMENSIONS ARE IN INCHES AND INCLUDE CHEMICALLY APPLIED OR PLATED FINISHES	DRAWN H. AUSTIN	DATE 6-30-66	FINAL APPROVAL <i>[Signature]</i> 7/25/66	
DECIMALS .X ± .05 .XX ± .01 .XXX ± .005	TOLERANCES	FRACTIONS ± 1/64 ANGLES ± 0° 30'	DATE 7/13/66	DATE 7/22/66
		DATE 7/25/66	SHEET CK1149	
		DATE 7/25/66	REV. LTR.	

CK1149