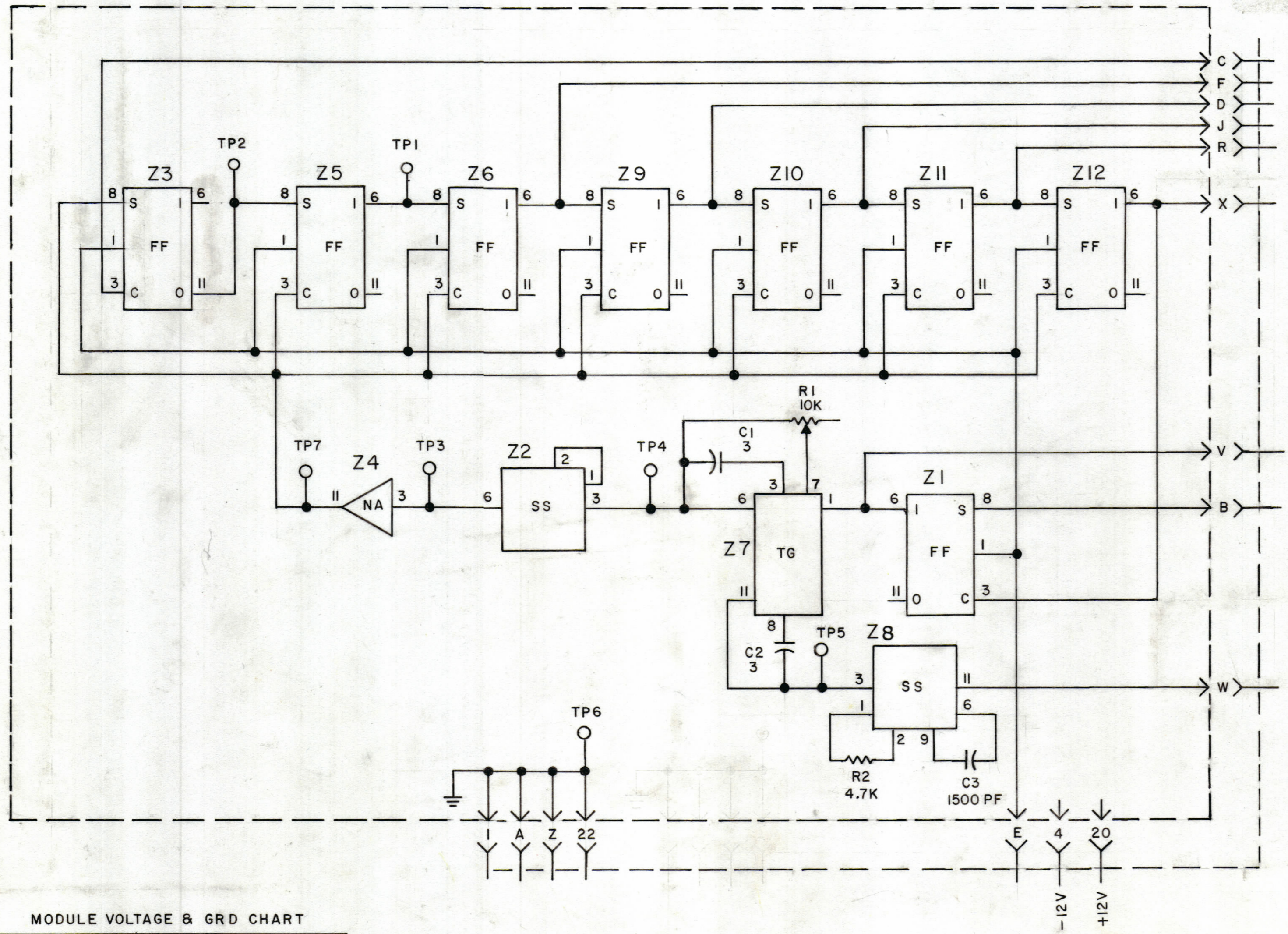


REVISIONS							
ZONE	SYM	DESCRIPTION	DATE	E.M.N. NO.	DRAFT	CHKD	APPD
Ø		ORIGINAL RELEASE FOR PRODUCTION	7/26/66				



MODULE VOLTAGE & GRD CHART

SYMBOL	PIN CONNECTION		
	+12V	-12V	GRD
Z1 THRU Z12	10	2	5

UNLESS OTHERWISE SPECIFIED
 1-ALL RESISTOR VALUES ARE IN OHMS 1/2 WATT
 2-ALL CAPACITOR VALUES ARE IN UF

REF: PC 263

REQ'D.	ITEM	PART NUMBER	DESCRIPTION	SYMBOL
EATON LIST OF MATERIAL				
MATERIAL			THE TECHNICAL MATERIEL CORP. MAMARONECK, NEW YORK	
FINISH			TITLE DIAGRAM, SCHEMATIC TIMING CIRCUIT	
UNLESS OTHERWISE SPECIFIED DIMENSIONS ARE IN INCHES AND INCLUDE CHEMICALLY APPLIED OR PLATED FINISHES		DRAWN GDL	DATE 7-6-66	FINAL APPROVAL [Signature]
DECIMALS .X ± .05 .XX ± .01 .XXX ± .005		CHECKED JL/G.D.L.	DATE 7/13/66	DATE 7/25/66
FRACTIONS ± 1/64 ANGLES ± 0° 30'		DATE 7/22/66	SHEET 1	
TOLERANCES		REV. LTR.		

NOTES

THE CONTENTS OF THIS DRAWING ARE THE EXCLUSIVE PROPERTY OF THE TECHNICAL MATERIEL CORP. ITS UNAUTHORIZED USE OR REPRODUCTION IN WHOLE OR IN PART IS STRICTLY FORBIDDEN.

CK1154