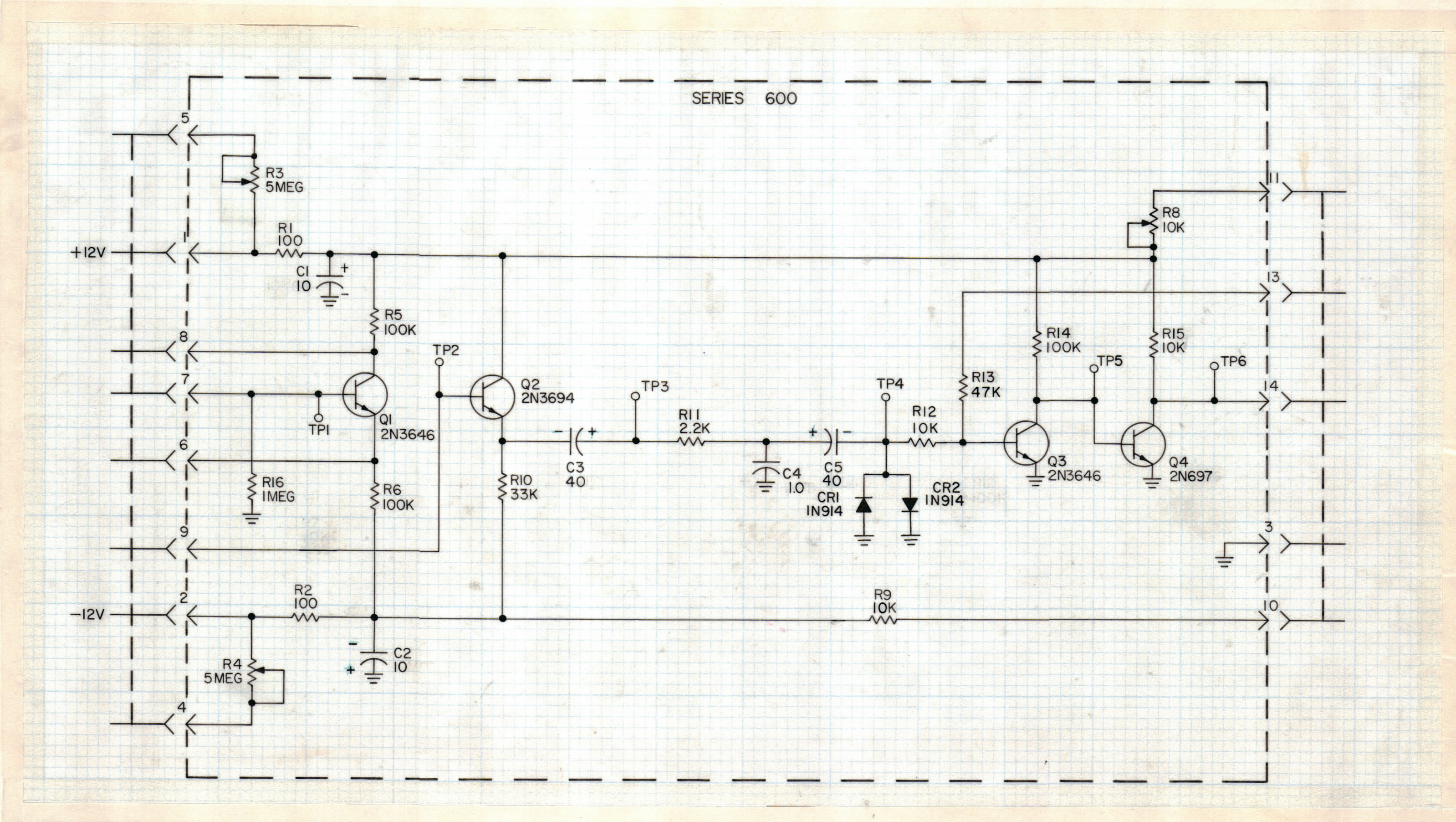


REVISIONS						
SYM	ZONE	DESCRIPTION	DATE	E.M.N.Q.	DRAFT	CHKD APPD
X		EXPERIMENTAL RELEASE	9-19-66	H	WLB	
Ø		ORIGINAL RELEASE FOR PRODUCTION	9-27-66	Ø	RME	
A		UPDATED & REV.	8-13-68	HJ	HJ	EFM
B		REVISED & UPDATED	4-8-69	19377	GE	



SYMBOLS	
LAST	MISSING
R16	
C5	
Q4	
TP6	

UNLESS OTHERWISE SPECIFIED
 1 - ALL RESISTOR VALUES ARE IN OHMS, 1/2 WATT.
 2 - ALL CAPACITOR VALUES ARE IN MICROFARADS.

UNLESS OTHERWISE SPECIFIED DIMENSIONS ARE IN INCHES TOLERANCES ON FRACTIONS DECIMALS ANGLES ±1/64 ±.005 ±1/2°
MATERIAL
FINISH

MAXIMUM ALLOWABLE TOLERANCES HAVE BEEN DETERMINED AND ANY DEVIATIONS WILL BE CAUSE FOR REJECTION.

REF: PC245

QTY REQ	ITEM	PART NO.	DESCRIPTION	SYMBOL
A. DUDDLES				
BILL OF MATERIAL				
THE TECHNICAL MATERIEL CORP. MAMARONECK, NEW YORK				
DIAGRAM, SCHEMATIC (DRIVER CARD) CFA-2				
APPROVED FOR BUSHIPS		CODE	SIZE	DWG. NO.
CONTRACT NO.		82679	C	CK1203
ISSUE		SHEET OF		
SCALE		B		

M/L.P.B.