

REVISIONS

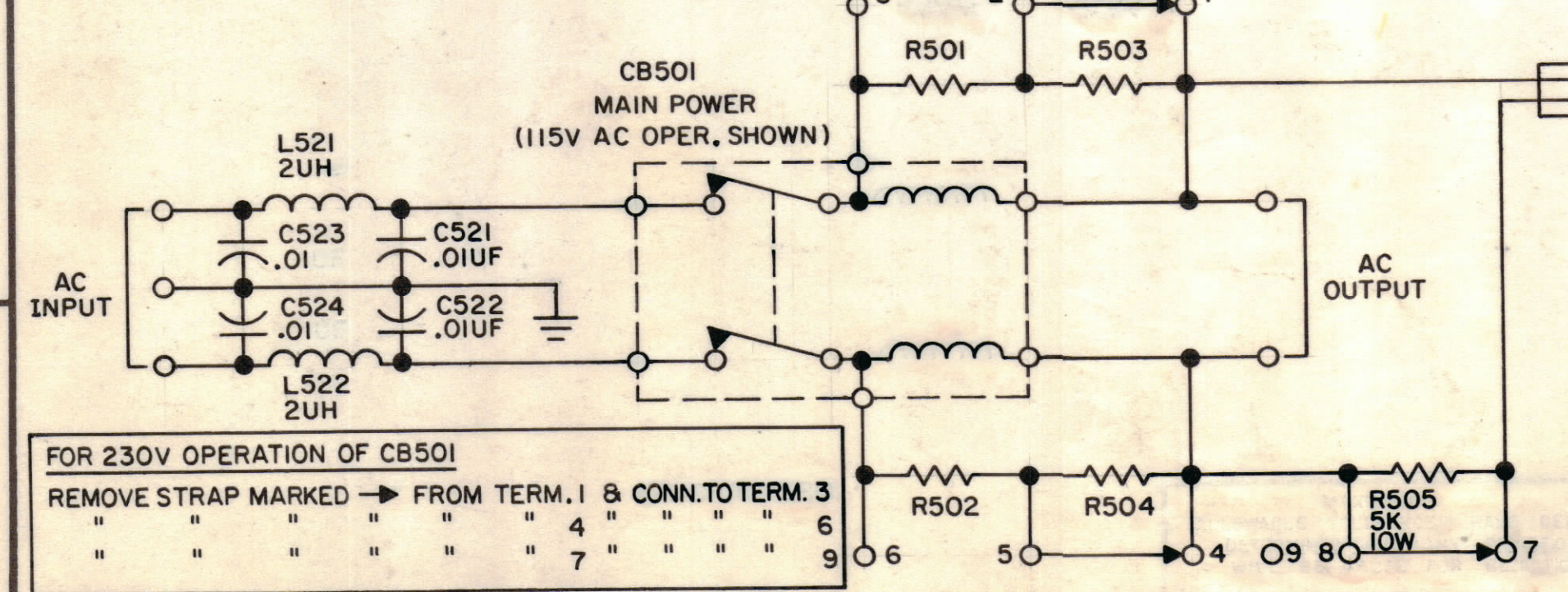
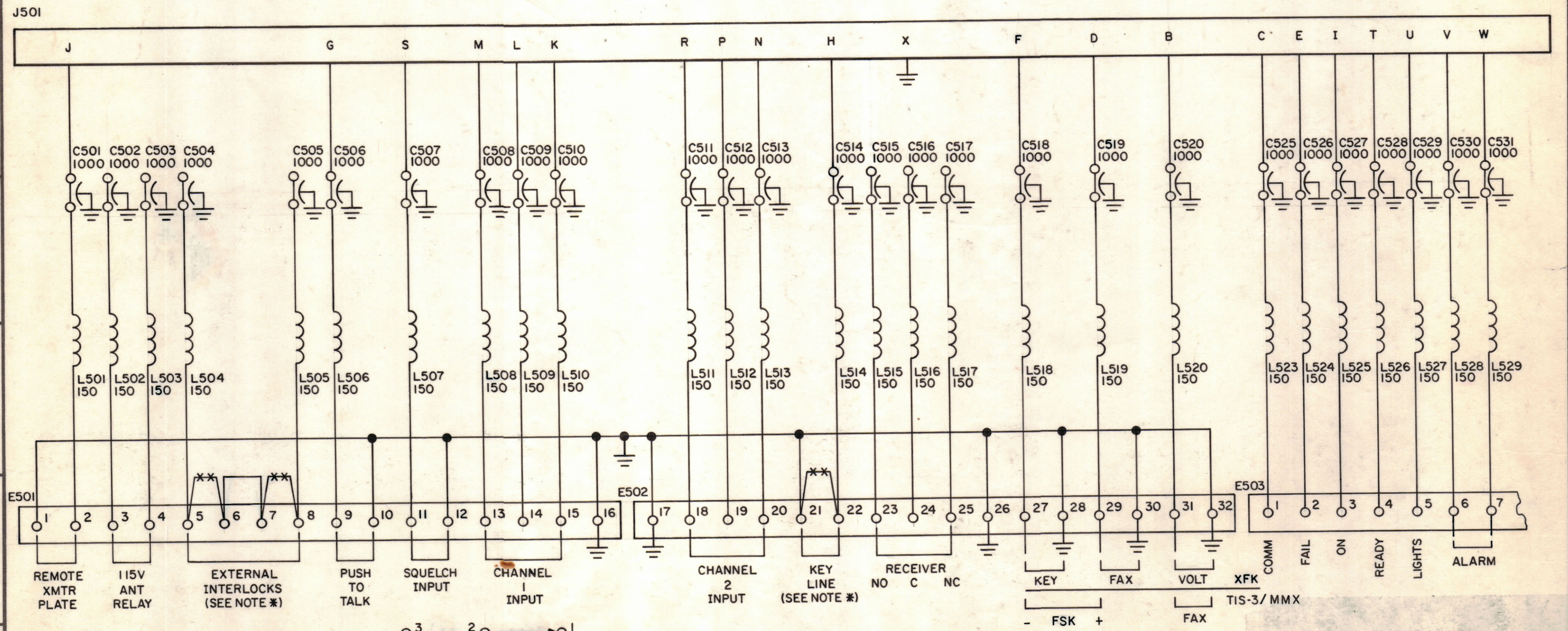
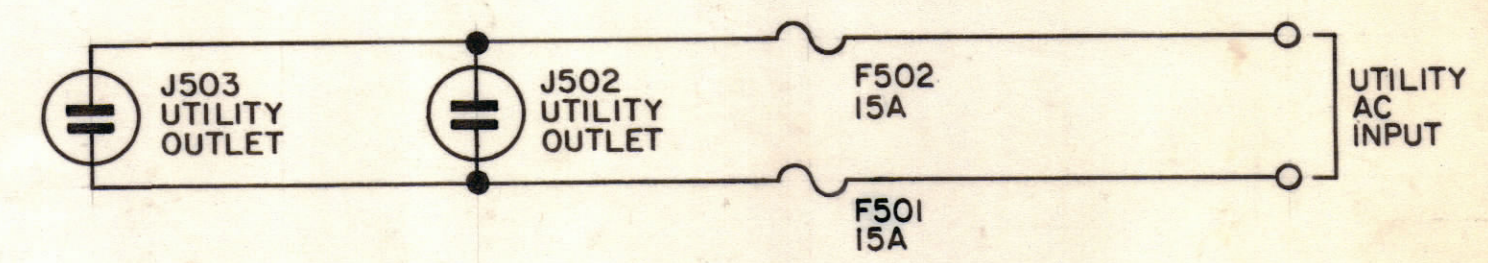
SYM	ZONE	DESCRIPTION	DATE	E.M.N. NO.	DRAFT	CHKD	APPD
X		EXPERIMENTAL RELEASE	9-14-66		JC		
Ø		ORIGINAL RELEASE FOR PRODUCTION	3-31-67		R.G.		
A		REV & UPDATED	2-7-69	19245	GE	JCB	FB

LAST SYMBOLS
 C531
 CB501
 E503
 I501
 J503
 L529
 R505

MISSING SYMBOLS

UNLESS OTHERWISE SPECIFIED:
 ALL CAPACITORS ARE IN MICRO-MICROFARADS.
 ALL COILS ARE IN MILLIHENRIES.

NOTE *
 WHEN EXTERNAL INTERLOCKS AND/OR KEYLINE IS USED, REMOVE JUMPERS MARKED ** FROM TERMINALS 5 & 6, 7 & 8 AND 21 & 22.



FOR 230V OPERATION OF CB501
 REMOVE STRAP MARKED → FROM TERM. 1 & CONN. TO TERM. 3
 " " " " " " 4 " " " " 6
 " " " " " " 7 " " " " 9

UNLESS OTHERWISE SPECIFIED
 DIMENSIONS ARE IN INCHES
 TOLERANCES ON
 FRACTIONS DECIMALS ANGLES
 ±1/64 ±.005 ±1/2°

QTY REQ	ITEM	PART NO.	DESCRIPTION	SYMBOL
BUTLER BILL OF MATERIAL				
FINAL APPROVAL		DATE	THE TECHNICAL MATERIEL CORP. MAMARONECK, NEW YORK	
MECH. DES.		DATE		
ELECT. DES.		DATE		
CHECKED		DATE	DIAGRAM, SCHEMATIC KIT 315 (MODEL APP-4)	
DRAWN		DATE		
APPROVED FOR		DATE	CODE	SIZE
CONTRACT NO.			82679	C
			DWG. NO.	CKI204
			SCALE	SHEET OF