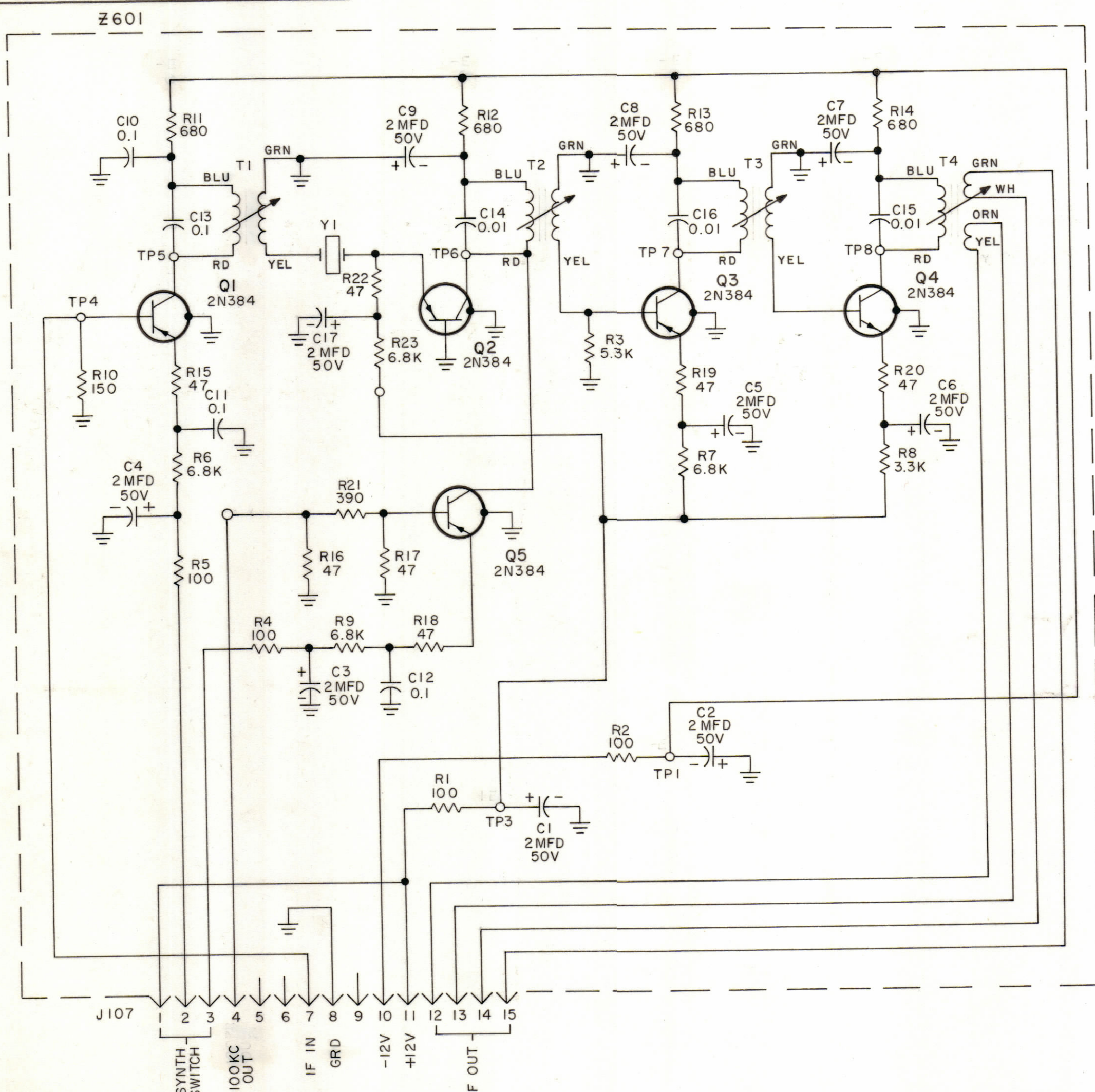


REVISIONS						
SYM	ZONE	DESCRIPTION	DATE	E.M.N.	NO.	DRAFT
X		EXPERIMENTAL RELEASE	11/23/66	X		RME
Ø		ORIGINAL RELEASE FOR PRODUCTION	12/2/66	Ø		CV



LAST SYMBOLS  
 C617  
 Q605  
 R623  
 T604  
 TP609  
 Y601

NOTE  
 ALL SYMBOLS 600 SERIES.

UNLESS OTHERWISE SPECIFIED  
 ALL RESISTOR VALUES ARE IN OHMS, 1/2 WATT

UNLESS OTHERWISE SPECIFIED  
 DIMENSIONS ARE IN INCHES  
 TOLERANCES ON  
 FRACTIONS DECIMALS ANGLES  
 ±1/64 ±.005 ±1/2°

REF. CKI254  
 REF. PCI31

QTY REQ	ITEM	PART NO.	DESCRIPTION	SYMBOL
BILL OF MATERIAL				
FINAL APPROVAL			DATE	THE TECHNICAL MATERIEL CORP. MAMARONECK, NEW YORK
MECH. DES.			DATE	
ELECT. DES.			DATE	
MATERIAL			CHECKED	DATE
FINISH			DRAWN	DATE
			DWAIN SERV.	DATE
		CODE	SIZE	DWG. NO.
		82679	C	CK1249
		SCALE	SHEET OF	

I	L FCA-1	A3719
QTY/UNIT	MODEL USED ON	ASS'Y. NO.

MAXIMUM TOLERANCES HAVE BEEN DETERMINED AND ANY DEVIATIONS WILL BE CAUSE FOR REJECTION.