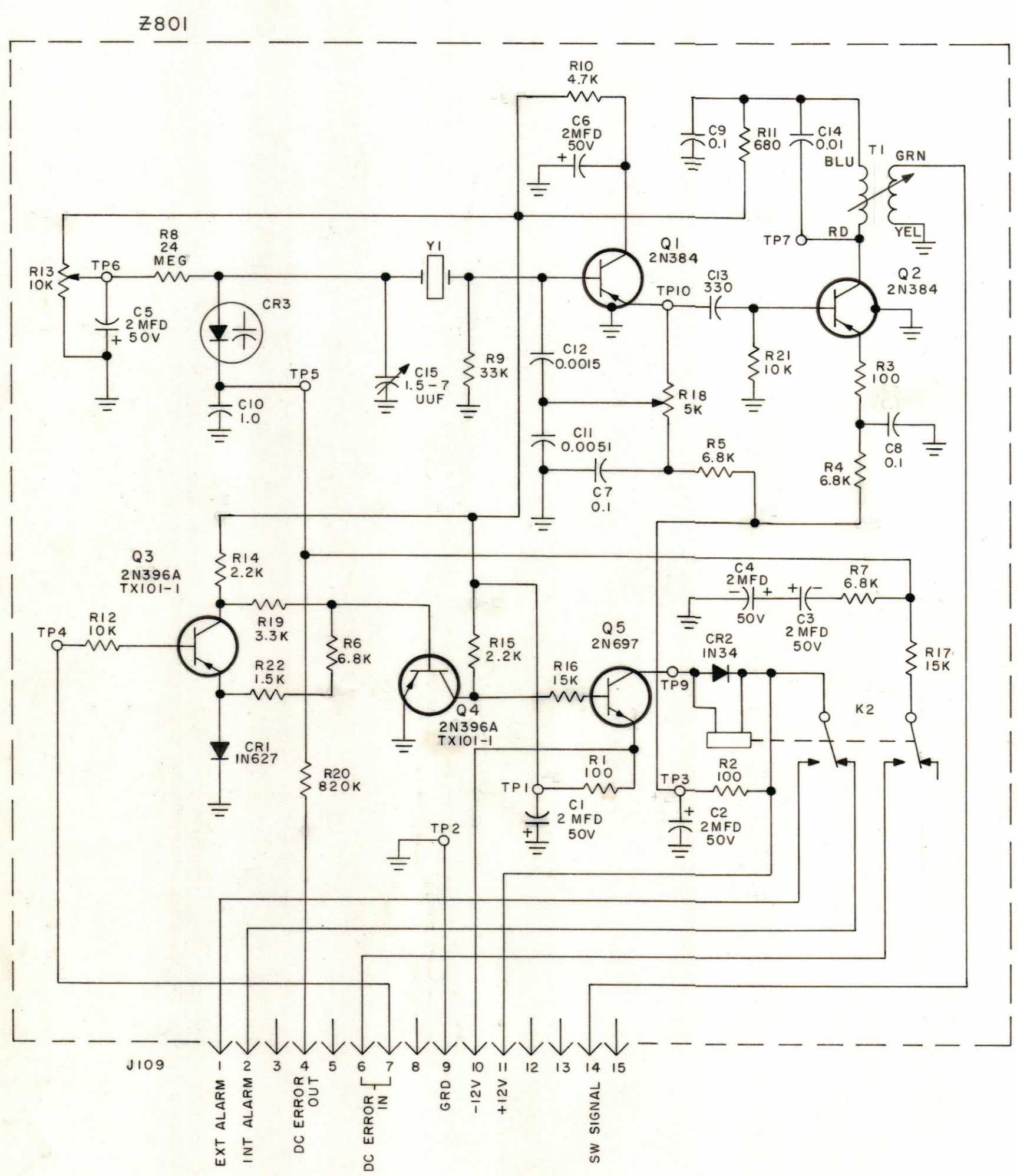


REVISIONS							
SYM	ZONE	DESCRIPTION	DATE	E.M.N. NO.	DRAFT	CHKD	APPD
X		EXPERIMENTAL RELEASE	11/28/66	X	RME		
Ø		ORIGINAL RELEASE FOR PRODUCTION	12/2/66	Ø	CV		JL



LAST SYMBOLS
 C815
 CR803
 K802
 Q803
 R822
 T801
 TP810
 Y801

MISSING SYMBOLS
 K801

NOTE
 ALL SYMBOLS 800 SERIES

UNLESS OTHERWISE SPECIFIED
 ALL RESISTOR VALUES ARE IN OHMS, 1/2 WATT.

REF. CK1254
 REF. PC135

QTY REQ	ITEM	PART NO.	DESCRIPTION	SYMBOL
BILL OF MATERIAL				
THE TECHNICAL MATERIEL CORP. MAMARONECK, NEW YORK				
DIAGRAM, SCHEMATIC VARIABLE CRYSTAL OSCILLATOR				
UNLESS OTHERWISE SPECIFIED DIMENSIONS ARE IN INCHES TOLERANCES ON FRACTIONS DECIMALS ANGLES ±1/64 ±.005 ±1/2°		FINAL APPROVAL <i>[Signature]</i>	DATE 12/1/66	
MATERIAL		MECH. DES.	DATE	
FINISH		ELECT. DES.	DATE	
		CHECKED JL	DATE 11/28/66	
		DRAWN DWAINE SERV.	DATE	
		CODE 82679	SIZE C	DWG. NO. CK 1253
		SCALE		ISSUE Ø
				SHEET OF

MAXIMUM ALLOWABLE TOLERANCES HAVE BEEN DETERMINED AND ANY DEVIATIONS WILL BE CAUSE FOR REJECTION.

1	LFA-1	A3723
QTY/UNIT	MODEL USED ON	ASSY. NO.