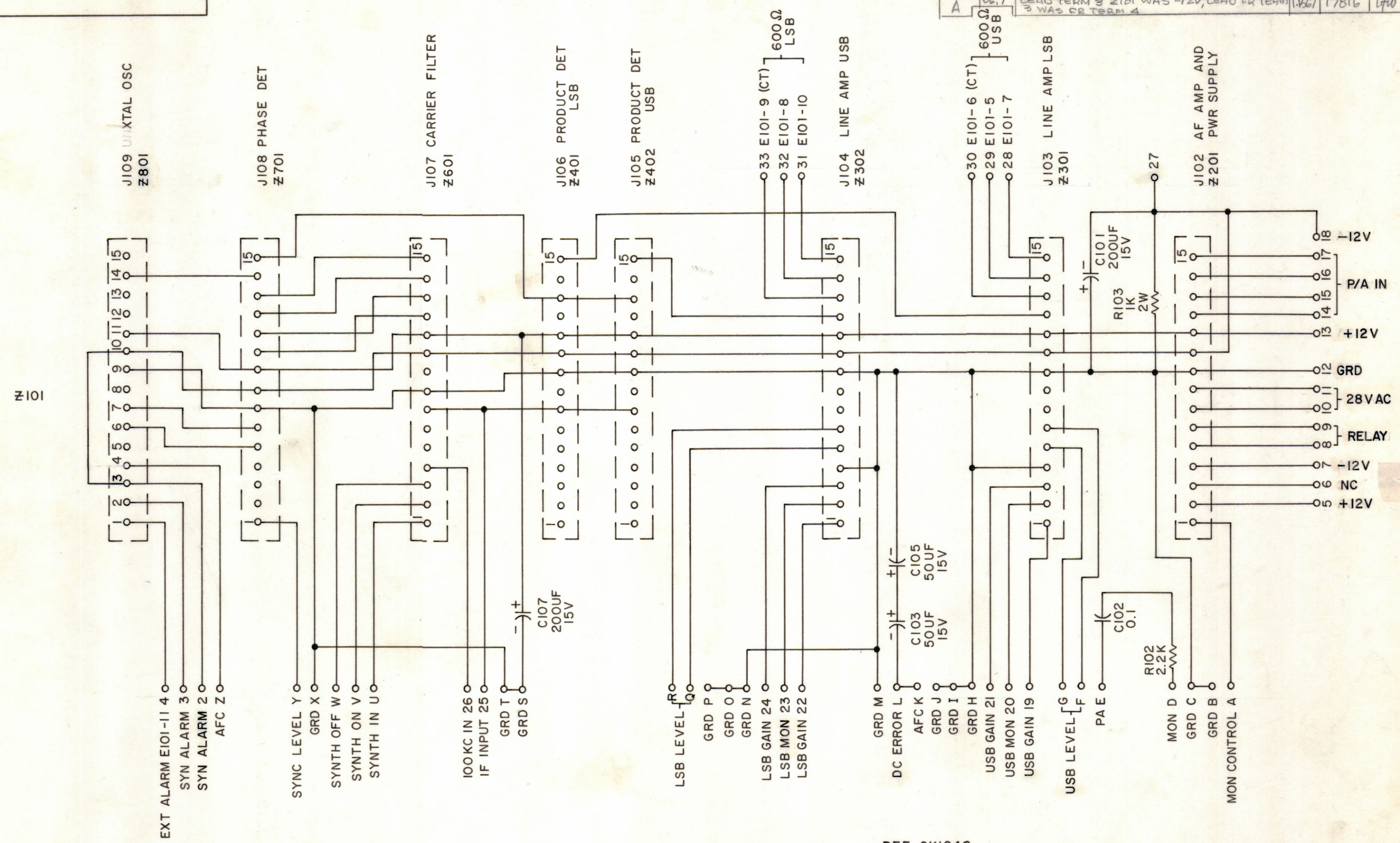


REVISIONS						
SYM	ZONE	DESCRIPTION	DATE	E.M.N.Q.	DRAFT	CHKD APPD
X		EXPERIMENTAL RELEASE	11/25/66	X	RME	
0		ORIGINAL RELEASE FOR PRODUCTION	12/1/66		CV	
A	04.7	LEAD TERM 8 Z101 WAS -12V, LEAD FR TERM 3 WAS PR TERM 4	1/8/67	17816	LTD	JL



SYMBOL	SCHEMATIC REF.
Z601	CK1249
Z301, 302	CK1250
Z201	CK1251
Z401, 402	CK1252
Z801	CK1253
Z701	CK1255

REF. CK1248
REF. PC136

UNLESS OTHERWISE SPECIFIED DIMENSIONS ARE IN INCHES	
TOLERANCES ON FRACTIONS DECIMALS ANGLES	
±1/64	±.005 ±1/2°
MATERIAL	
FINISH	

QTY REQ	ITEM	PART NO.	DESCRIPTION	SYMBOL
BILL OF MATERIAL				
FINAL APPROVAL			DATE	
MECH. DES.			DATE	
ELECT. DES.			DATE	
CHECKED			DATE	
DRAWN			DATE	
DWAIN SERV.			DATE	
CODE		SIZE	DWG. NO.	ISSUE
82679		C	CK 1254	Δ
SCALE			SHEET	OF

THE TECHNICAL MATERIEL CORP.
MAMARONECK, NEW YORK

DIAGRAM, SCHEMATIC
INTERCONNECT CARD

MAXIMUM ALLOWABLE TOLERANCES HAVE BEEN DETERMINED AND ANY DEVIATIONS WILL BE CAUSE FOR REJECTION.

1	LFCA-1	A3735
QTY/UNIT	MODEL USED ON	ASSY. NO.