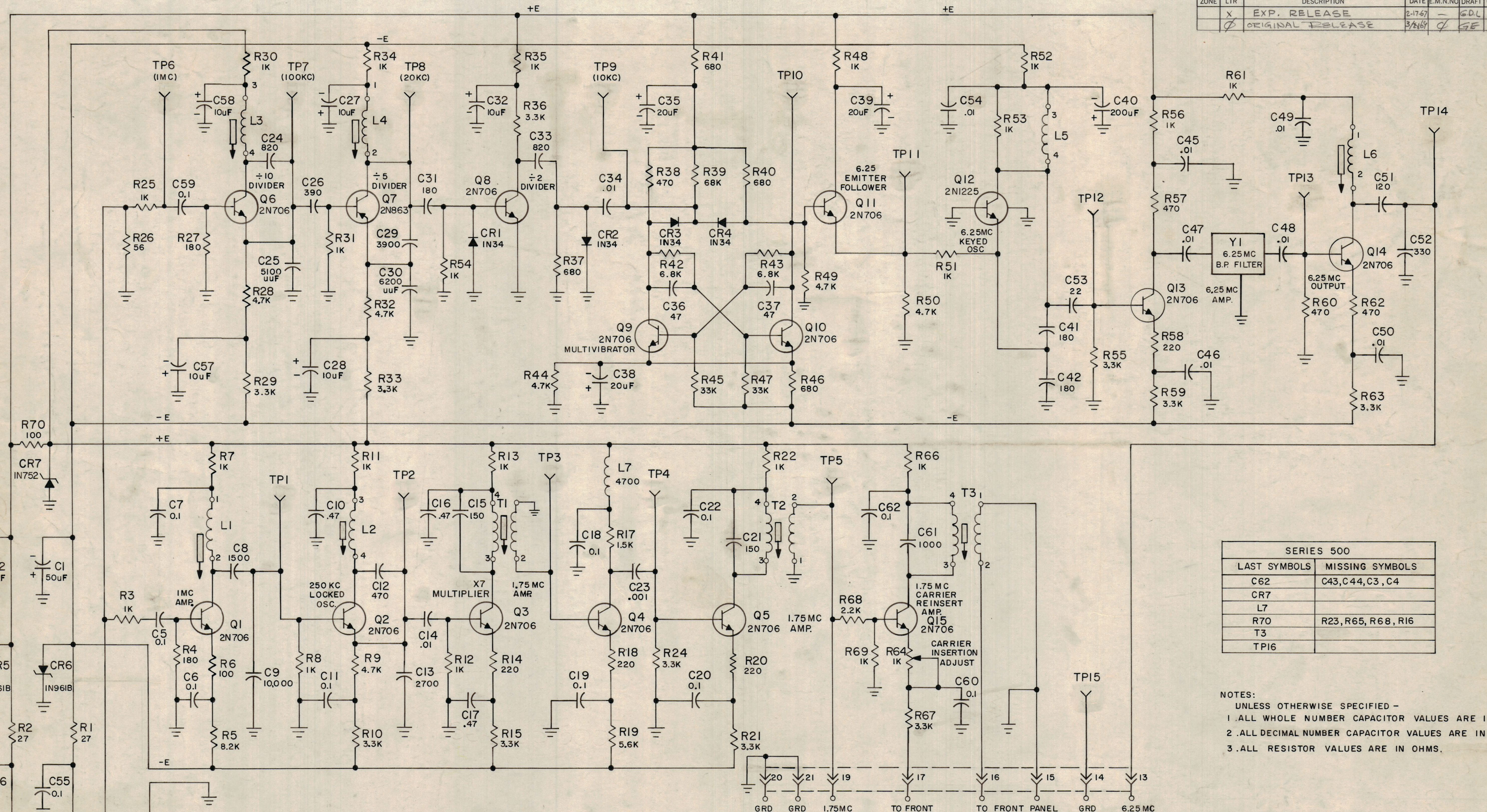


ZONE		LTR		DESCRIPTION		DATE		E.M.N.NO		DRAFT		CHKD		APPD	
X		EXP. RELEASE		2-17-67		GDL									
Ø		ORIGINAL RELEASE		3/28/69		SE									



SERIES 500	
LAST SYMBOLS	MISSING SYMBOLS
C62	C43, C44, C3, C4
CR7	
L7	
R70	R23, R65, R68, R16
T3	
TPI6	

NOTES:
 UNLESS OTHERWISE SPECIFIED -
 1. ALL WHOLE NUMBER CAPACITOR VALUES ARE IN pF
 2. ALL DECIMAL NUMBER CAPACITOR VALUES ARE IN uF
 3. ALL RESISTOR VALUES ARE IN OHMS.

SERIES 500

QTY. REQ.	ITEM	PART NO.	DESCRIPTION	SYMBOL
LIST OF MATERIAL				
THE TECHNICAL MATERIEL CORP. MAMARONECK, NEW YORK				
DIAGRAM, SCHEMATIC SYN "A" SERIES 500				
SIZE		CODE IDENT. NO. DWG NO.		ISSUE
D 82679		CK 1292		Ø
SCALE		SHEET		OF

CMR-11		ASS'Y NO.	
QTY / UNIT	MODEL USED ON		
APPLICATION			
CODE			
MATERIAL			
FINISH			

TOLERANCES ON	
DECIMALS	FRACTIONS
.X ± .05	± 1/64
.XX ± .01	ANGLES
.XXX ± .005	± 0° - 30'

NOTICE TO PERSONS RECEIVING THIS DRAWING
 THE TECHNICAL MATERIEL CORPORATION claims proprietary right in the material disclosed hereon. This drawing is issued in confidence for engineering information only and may not be reproduced or used to manufacture anything shown hereon without permission from THE TECHNICAL MATERIEL CORPORATION to the user. This drawing is loaned for mutual assistance and is subject to recall at any time.

B CK 1292

A