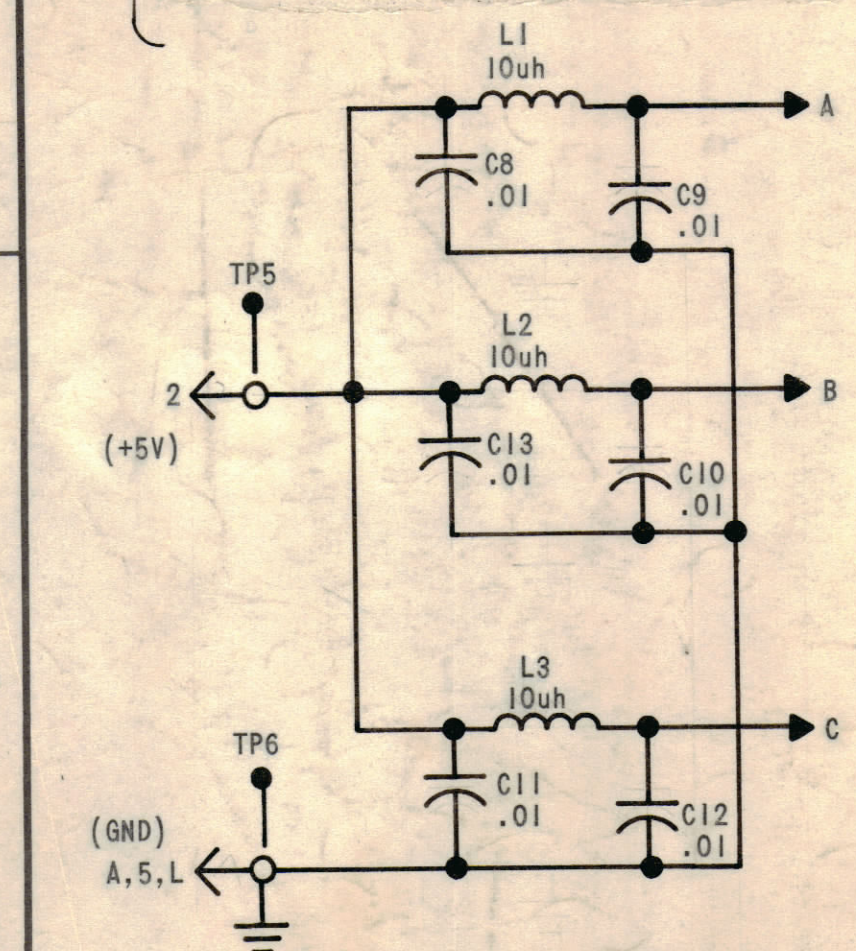
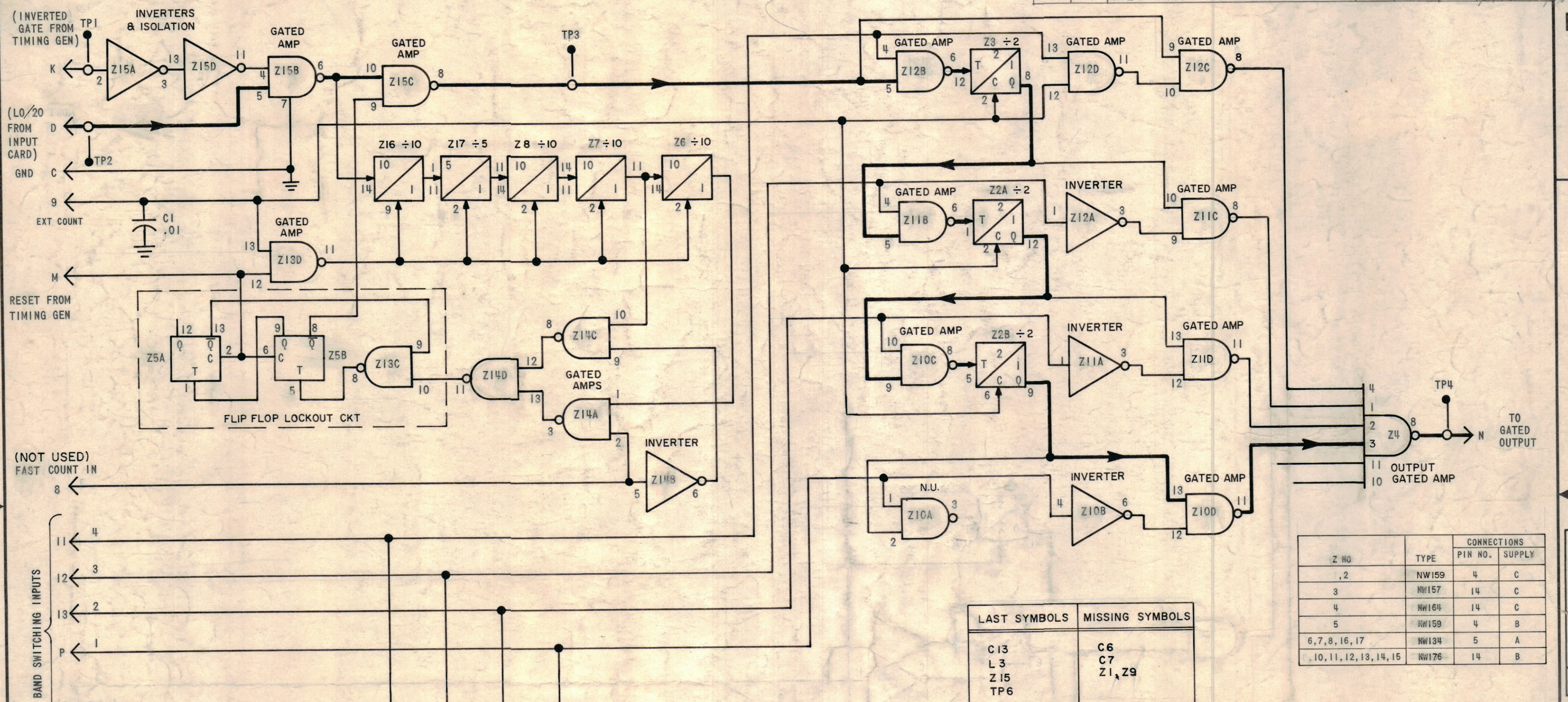


B	DEL. Z1, Z9, C6, C7, PIN 1, 5 Z11D WAS Z10C	7/11/70	19769	KD	KT	ORP
C	ADD FUNCTIONS TO TRANS.	7/11/70	19928	KT	ORP	ORP
D	ADD SIGNAL FLOW LINES, Z10A WAS GATED AMP. Z4 PIN 3 WAS PIN 5	10/9/70	20010	GE.	ORP	ORP

REVISIONS						
ZONE	LTR	DESCRIPTION	DATE	E.M.N.NO	DRAFT	CHKD APPD
X		EXPERIMENTAL RELEASE	6/16/69	X	KD	ORP
XI		REVISED AND UPDATED	7/11/69			
Ø		ORIGINAL RELEASE FOR PRODUCTION	8/19/69	Ø		
A		REVISED SYMBOLS	10/12/69	19610	KD	KT ORP



NOTE:
1. ALL CAPACITANCE VALUES ARE IN MICROFARADS

QTY / UNIT	HFRR-4	A4660
	MODEL USED ON	ASS'Y NO.
APPLICATION		
	CODE	

NOTICE TO PERSONS RECEIVING THIS DRAWING
THE TECHNICAL MATERIEL CORPORATION claims proprietary right in the material disclosed hereon. This drawing is issued in confidence for engineering information only and may not be reproduced or used to manufacture anything shown hereon without permission from THE TECHNICAL MATERIEL CORPORATION to the user. This drawing is loaned for mutual assistance and is subject to recall at any time.

LAST SYMBOLS	MISSING SYMBOLS
C13 L3 Z15 TP6	C6 C7 Z1, Z9

Z NO	TYPE	CONNECTIONS PIN NO. SUPPLY
2	NW159	4 C
3	NW157	14 C
4	NW164	14 C
5	NW159	4 B
6,7,8,16,17	NW134	5 A
10,11,12,13,14,15	NW176	14 B

63 Fig 5-15 64 Fig 5-16

A4660/PC421		LIST OF MATERIAL	
QTY. REQ.	ITEM	PART NO.	DESCRIPTION
Pose			
FINAL APPROVAL		DATE	THE TECHNICAL MATERIEL CORP. MAMARONECK, NEW YORK
MECH. DES.		DATE	
ELECT. DES.		DATE	
DIAGRAM SCHEMATIC			
L.O. OFFSET & BAND DIVIDER			
SIZE	CODE IDENT.NO	DWG NO.	ISSUE
C	82679	CK 1342	D
SCALE NONE		SHEET	OF