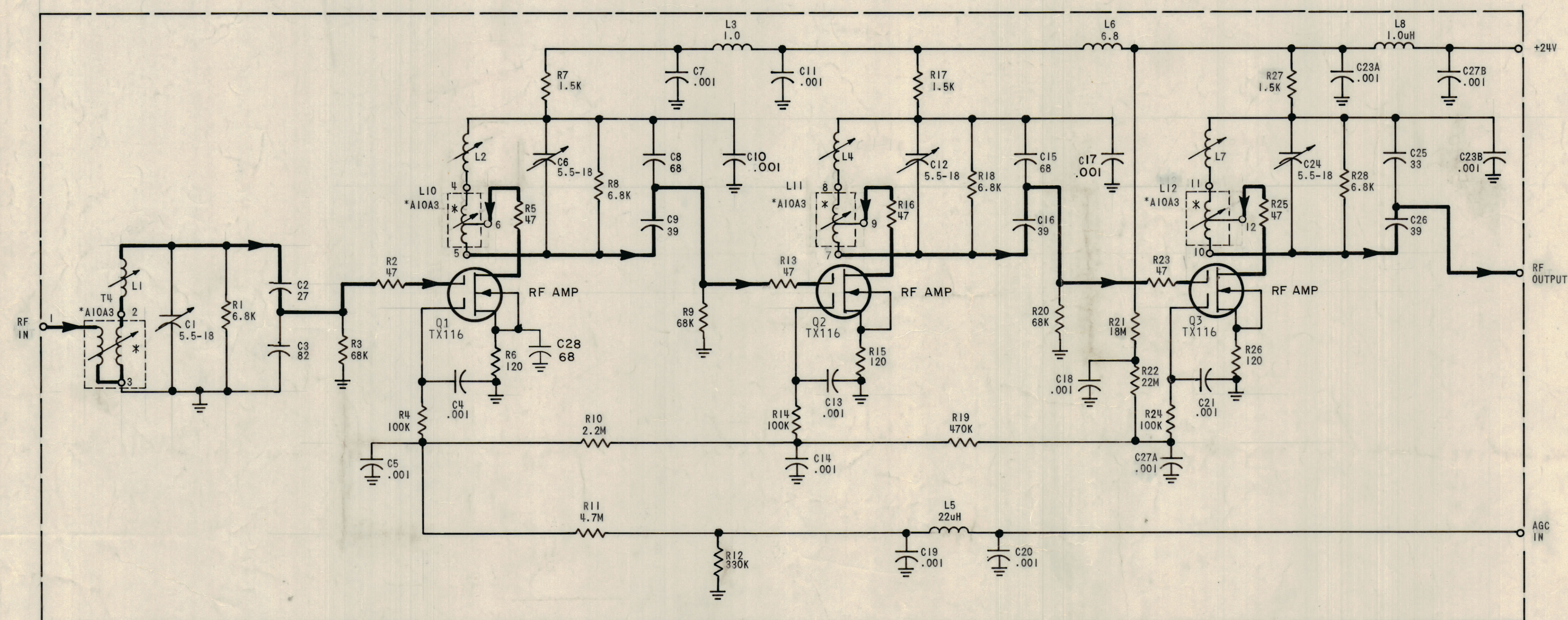


					REVISIONS		
E.M.N.NO	DRAFT	CHKD	ZONE	LTR	DESCRIPTION	DATE	APPROVED
	KP			X3	REDRAWN BY REVISIONS	2/19/69	
	CV			X4	L1, L12, C23, C27 CLARIFIED	2/19/69	NB
					ORIGINAL RELEASE FOR PRODUCTION	4/9/69	
19614	CV			A	R7, R17, R27 WERE 3.9K	10/15/69	
17927	CV			B	ADD FUNCTIONS TO TRANS. & SIGNAL FLOW LINES	7/1/70	OP
20046	GE			C	ADD C 28 CHG C10 & C17 VALUE TO .01	10/20/70	PC
20097	RJ			D	ADD * TO L10,11,12 & T4 CHG.C10 & C17 VALUE TO .001	11/10/70	PC



- UNLESS OTHERWISE SPECIFIED:
1. ALL RESISTANCE VALUES ARE IN OHMS, 1/4 WATT.
  2. ALL DECIMAL NUMBER CAPACITANCE VALUES ARE IN MICROFARADS  
ALL WHOLE NUMBER CAPACITANCE VALUES ARE IN PICO FARADS.
  3. ALL INDUCTANCE VALUES ARE IN MICROHENRIES.
  4. \* ITEMS A10A3 ARE NOT MOUNTED ON PRINTED CIRCUIT BOARD

LAST SYMBOL	MISSING SYMBOL
C28	C22
L8	
R28	
Q3	

63 Fig 5-41 64 Fig 5-44

PC437/A4676

QTY. REQ.	ITEM	PART NO.	DESCRIPTION	SYMBOL	
LIST OF MATERIAL					
UNLESS OTHERWISE SPECIFIED DIMENSIONS ARE IN INCHES AND INCLUDE CHEMICALLY APPLIED OR PLATED FINISHES		FINAL APPROVAL DATE 9/10/69	<b>THE TECHNICAL MATERIEL CORP.</b> MAMARONECK, NEW YORK  DIAGRAM, SCHEMATIC RF TUNER BAND 4		
TOLERANCES ON		ELECT. DES. DATE 9/10/69			
DECIMALS X ± .05 FRACTIONS = 1/64		CHECKED DATE 9/15/69			
.XX ± .01 ANGLES ± 0° -30'		DRAWN DATE 7/7/69			
MATERIAL		SIZE	CODE IDENT NO.	DWG NO.	
FINISH		D	82679	CK 1354	
NOTICE TO PERSONS RECEIVING THIS DRAWING THE TECHNICAL MATERIEL CORPORATION claims proprietary right in the material disclosed hereon. This drawing is issued in confidence for engineering information only and may not be reproduced or used to manufacture anything shown hereon without permission from THE TECHNICAL MATERIEL CORPORATION to the user. This drawing is loaned for mutual assistance and is subject to recall at any time.		SCALE			SHEET OF