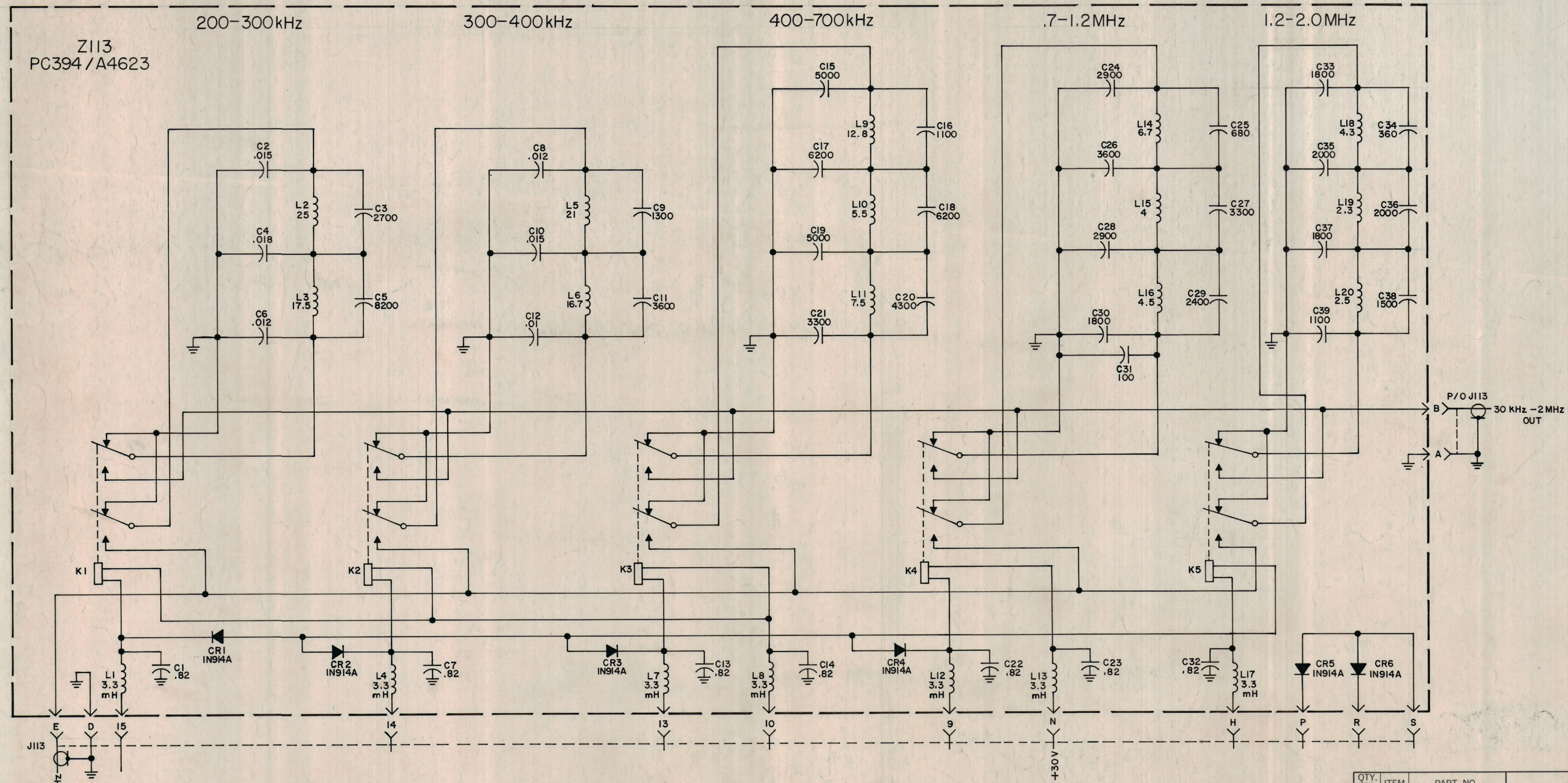


REVISIONS									
ZONE	LTR	DESCRIPTION	DATE	E.M.N.NO	DRAFT	CHKD	APPD	M/L	
X4		REDRAWN W/O CHANGES	11-10-67	-	HCB				
8		ORIGINAL RELEASE FOR PROD.	4-24-68		R.G.T.				



UNLESS OTHERWISE SPECIFIED  
 1- ALL DECIMAL CAPACITANCE VALUES ARE IN MICROFARADS.  
 ALL WHOLE NUMBER VALUES ARE IN PICOFARADS.  
 2- ALL INDUCTANCE VALUES ARE IN MICROHENRIES.

SYMBOL SERIES 1200

LAST SYMBOLS
C39
CR6
K5
L20

I	LFE-1	A4623
QTY / UNIT	MODEL USED ON	ASS'Y NO.
APPLICATION		
CODE		
MATERIAL		
FINISH		

NOTICE TO PERSONS RECEIVING THIS DRAWING  
 THE TECHNICAL MATERIEL CORPORATION claims proprietary right in the material disclosed herein. This drawing is issued in confidence for engineering information only and may not be reproduced or used to manufacture anything shown hereon without permission from THE TECHNICAL MATERIEL CORPORATION to the user. This drawing is loaned for mutual assistance and is subject to recall at any time.

QTY. REQ.	ITEM	PART NO.	DESCRIPTION	SYMBOL
O- POSE				
LIST OF MATERIAL				
THE TECHNICAL MATERIEL CORP. MAMARONECK, NEW YORK				
DIAGRAM, SCHEMATIC OUTPUT FILTER (A)				
SIZE		CODE IDENT. NO.	DWG NO.	ISSUE
D		82679	CK 1397	1
SCALE				SHEET OF
				OF

CK 1397