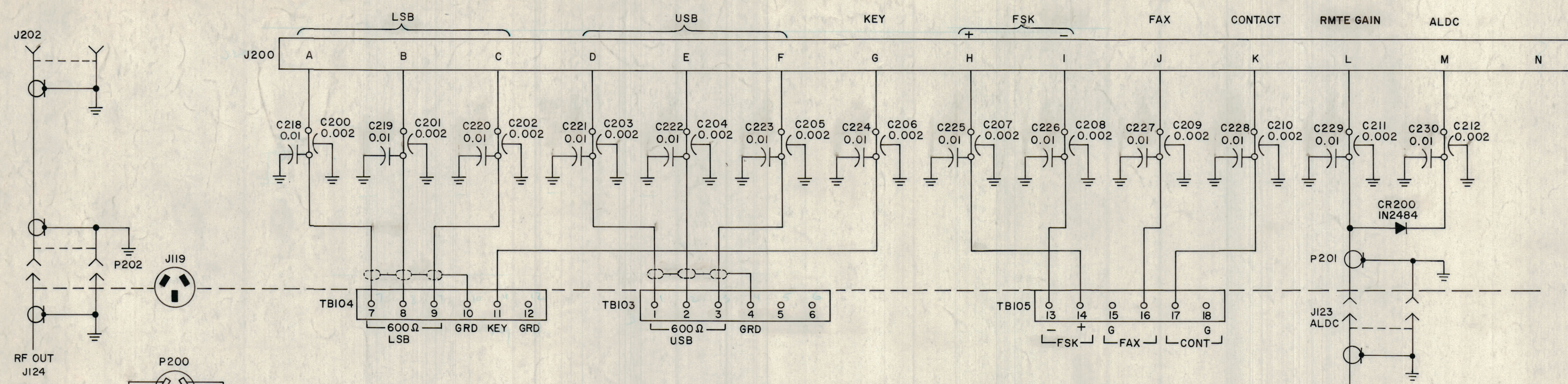
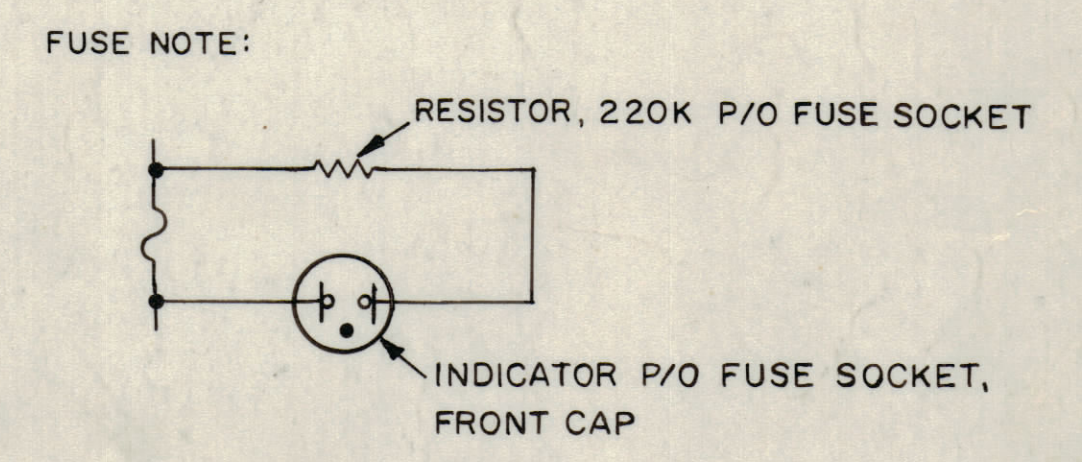
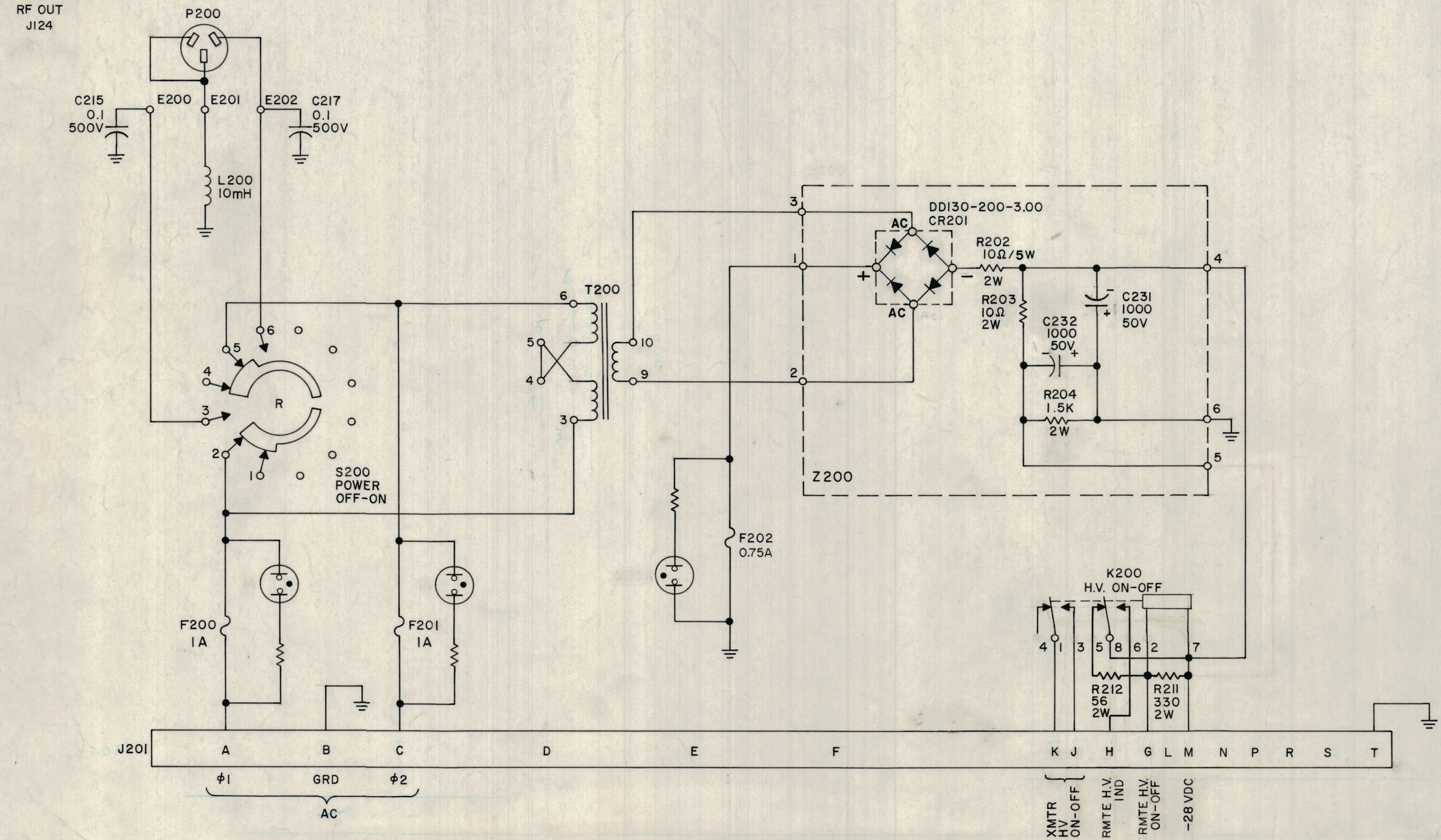


ZONE		LTR		DESCRIPTION	DATE	E.M.N.NO	DRAFT	CHKD	APPD
X				EXPERIMENTAL RELEASE	1-12-68				
X1				CR201 CLARIFIED	4/3/68	X2	AG		
				ORIGINAL RELEASE FOR PROD	4/3/68				
A				REV. & UPDATED	6/27/68	18974	HS		



100 SERIES	
LAST SYM	MISSING SYM
J124	J100 TO I18, I20 TO I22
TB105	TB100, I01, I02

200 SERIES	
LAST SYM	MISSING SYM
C232	C213, 214, 216
CR201	
E202	
F202	
J202	J201
K200	
L200	
P202	
R212	R200, 201, 205 TO 210
S200	
T200	
Z200	



UNLESS OTHERWISE SPECIFIED  
 1. ALL RESISTORS ARE IN OHMS  
 2. ALL CAPACITORS ARE IN MICROFARADS

QTY. REQ.	ITEM	PART NO.	DESCRIPTION	SYMBOL
F. BUDETTI				
LIST OF MATERIAL				
FINAL APPROVAL		DATE	THE TECHNICAL MATERIEL CORP.	
MECH. DES.		DATE	MAMARONECK, NEW YORK	
ELECT. DES.		DATE	DIAGRAM, SCHEMATIC	
CHECKED		DATE	EXCITER DRAWER	
DRAWN		DATE	MATERIAL	
M. OLSEN		JAN 8, 68	FINISH	
SIZE	CODE IDENT. NO.	DWG. NO.		ISSUE
D	82679	CKI412		A
SCALE				SHEET OF

GPT-10K1FE		
QTY / UNIT	MODEL USED ON	ASS'Y NO.
APPLICATION		
CODE		
NOTICE TO PERSONS RECEIVING THIS DRAWING		
THE TECHNICAL MATERIEL CORPORATION claims proprietary right in the material disclosed herein. This drawing is issued in confidence for engineering information only and may not be reproduced or used to manufacture anything shown herein without permission from THE TECHNICAL MATERIEL CORPORATION to the user. This drawing is loaned for mutual assistance and is subject to recall at any time.		

UNLESS OTHERWISE SPECIFIED  
 DIMENSIONS ARE IN INCHES  
 AND INCLUDE CHEMICALLY APPLIED  
 OR PLATED FINISHES

TOLERANCES ON

DECIMALS	FRACTIONS
.X ± .05	± 1/64
.XX ± .01	ANGLES
.XXX ± .005	± 0° -30'