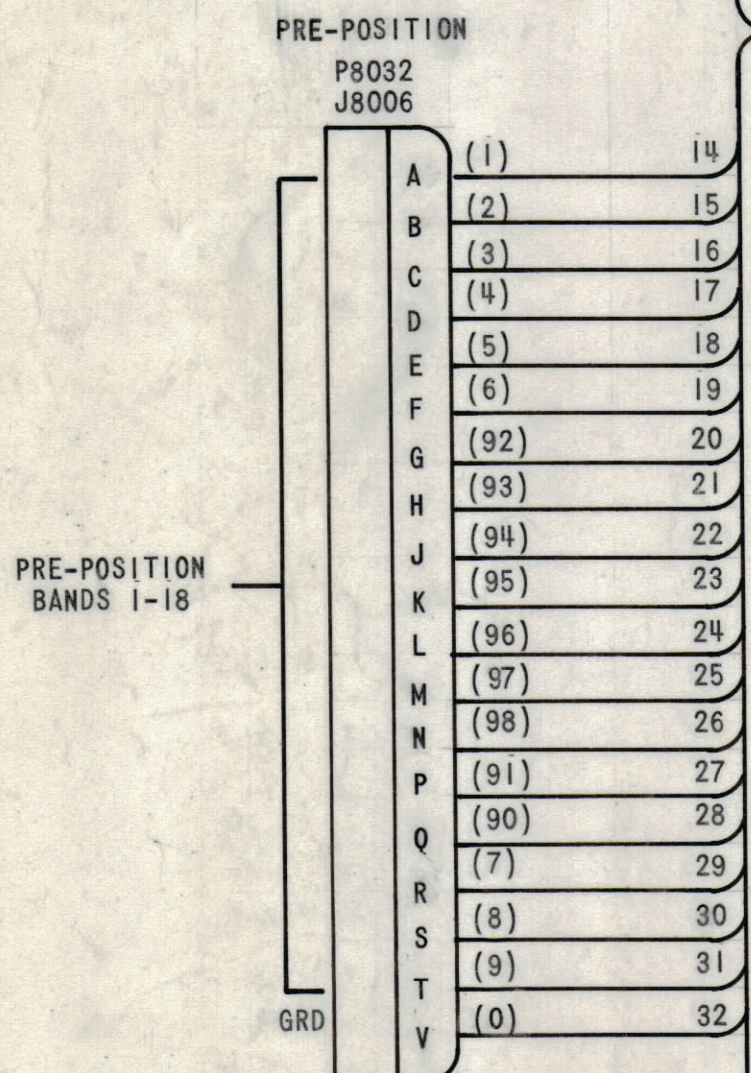
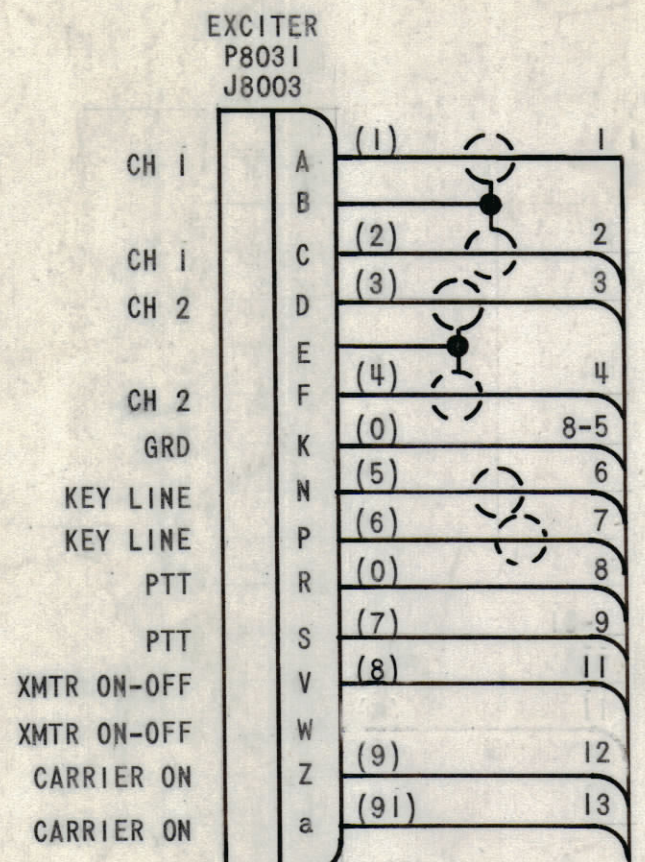
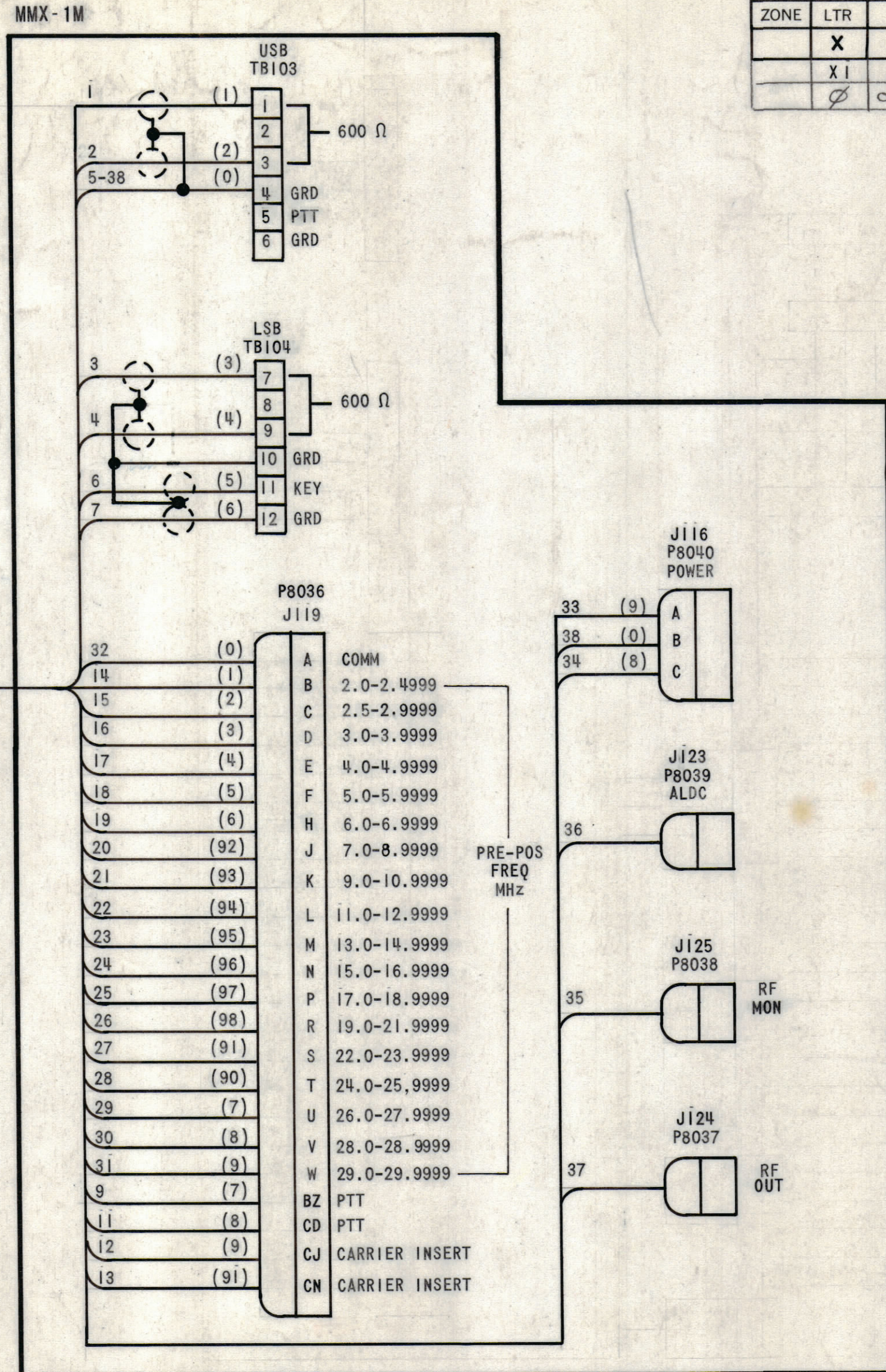


REVISIONS							
ZONE	LTR	DESCRIPTION	DATE	E.M.N.NO	DRAFT	CHKD	APPD
	X	EXP. RELEASE	3-11-68				
	XI	J8003 PINS CLARIFIED	4/9/68			C.V.	
	Ø	ORIGINAL RELEASE FOR PROD	4/1/68			CV	



WIRE COLOR CODE

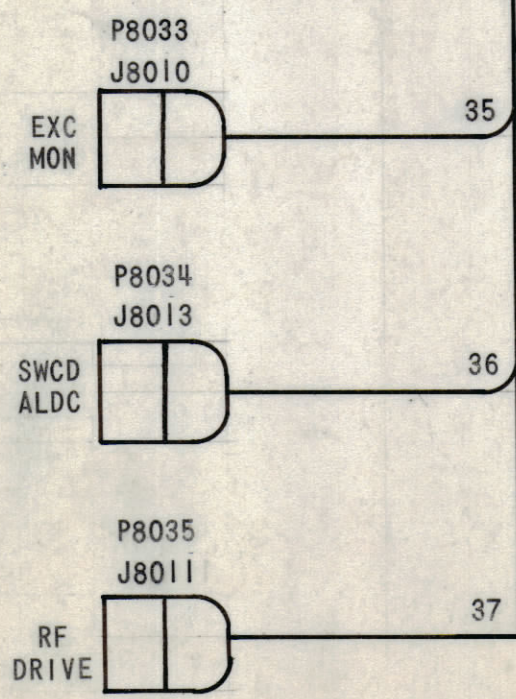
10 / WIRE IDENTIFICATION NUMBER

(91) / COLOR CODE

33 (9) Ø 1

34 (8) Ø 2

SEE CK1470 (T8000) (SH. 2)



I	GPTA-2.5 JB	ASS'Y NO.
QTY / UNIT	MODEL USED ON	ASS'Y NO.
APPLICATION		
CODE		

NOTICE TO PERSONS RECEIVING THIS DRAWING

THE TECHNICAL MATERIEL CORPORATION claims proprietary right in the material disclosed hereon. This drawing is issued in confidence for engineering information only and may not be reproduced or used to manufacture anything shown hereon without permission from THE TECHNICAL MATERIEL CORPORATION to the user. This drawing is loaned for mutual assistance and is subject to recall at any time.

QTY. REQ.	ITEM	PART NO.	DESCRIPTION	SYMBOL
F. BUDETTI LIST OF MATERIAL				
FINAL APPROVAL			DATE	
MECH. DES.			DATE	
ELECT. DES.			DATE	
CHECKED			DATE	
DRAWN			DATE	
MATERIAL			SIZE	CODE IDENT. NO.
FINISH			DWG NO.	ISSUE
			C 82679	CK 1489
SCALE			SHEET	OF

CK1489

B