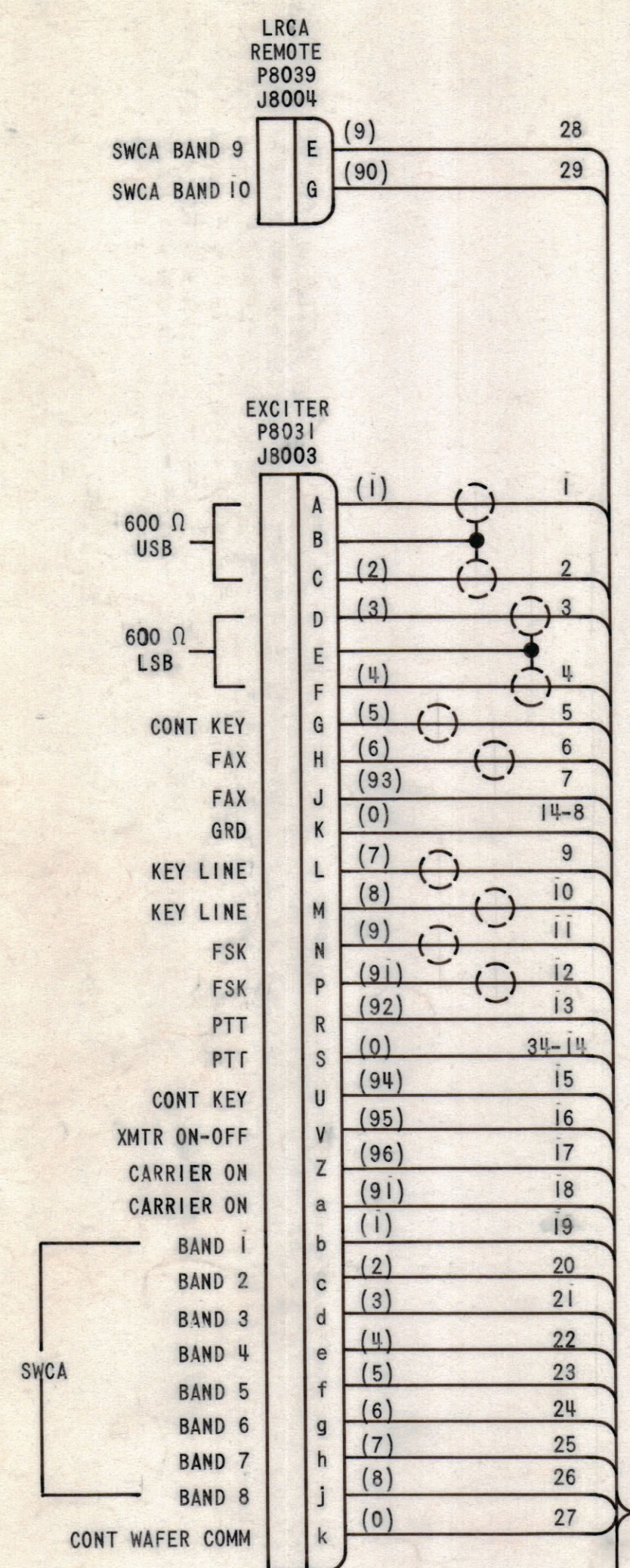
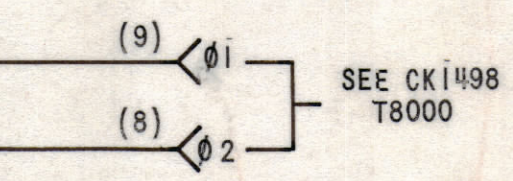
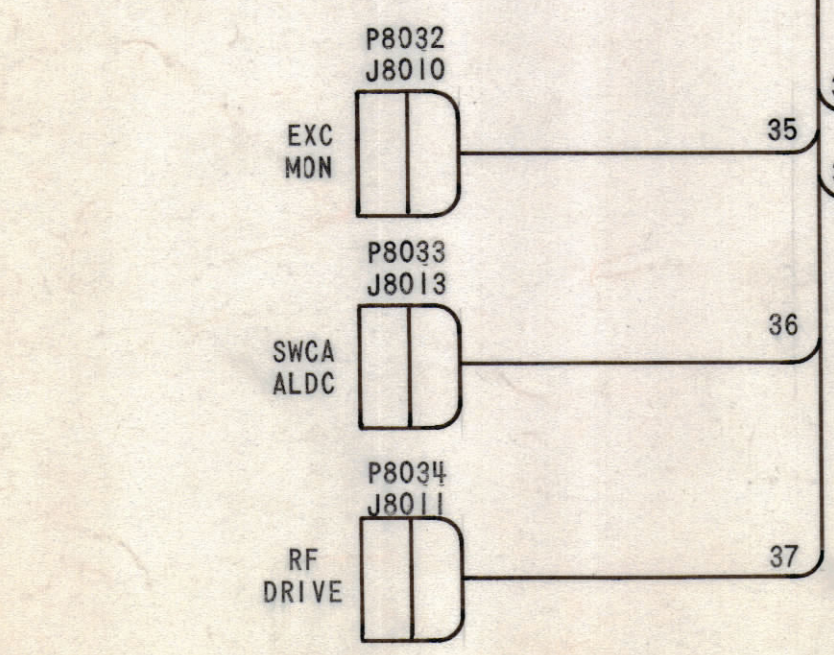
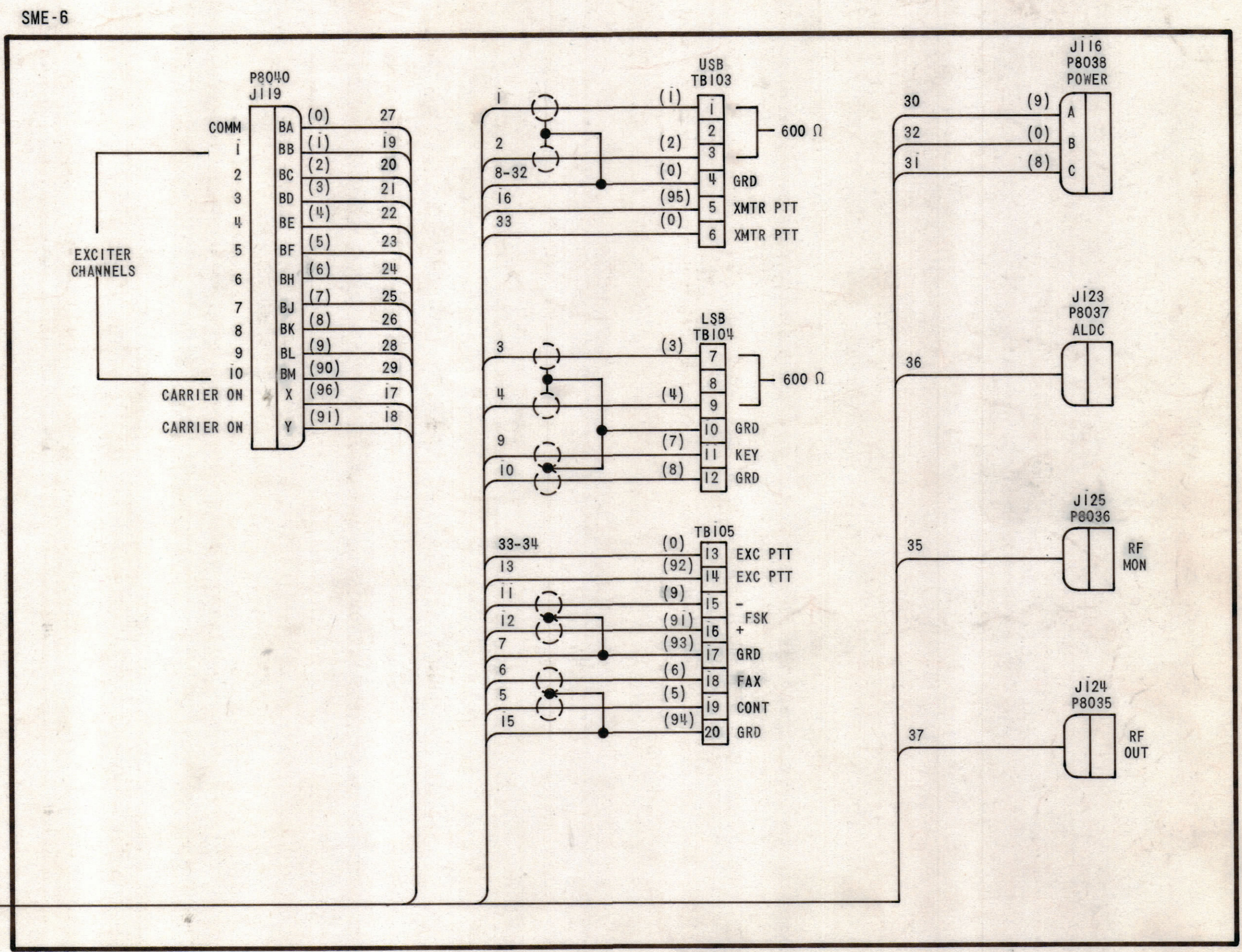


REVISIONS						
ZONE	LTR	DESCRIPTION	DATE	E.M.N.NO	DRAFT	CHKD APPD
	X	EXPERIMENTAL RELEASE	1/2/69		C.V.	
	Ø	ORIGINAL RELEASE FOR PRODUCTION	1-3-68		RG	JW



WIRE COLOR CODE

10	91
WIRE IDENTIFICATION NUMBER	COLOR CODE



QTY / UNIT	GPTA-2.5EH/50	MODEL USED ON	ASS'Y NO.
APPLICATION			
CODE			

NOTICE TO PERSONS RECEIVING THIS DRAWING
 THE TECHNICAL MATERIEL CORPORATION claims proprietary right in the material disclosed hereon. This drawing is issued in confidence for engineering information only and may not be reproduced or used to manufacture anything shown hereon without permission from THE TECHNICAL MATERIEL CORPORATION to the user. This drawing is loaned for mutual assistance and is subject to recall at any time.

UNLESS OTHERWISE SPECIFIED DIMENSIONS ARE IN INCHES AND INCLUDE CHEMICALLY APPLIED OR PLATED FINISHES

TOLERANCES ON

DECIMALS	FRACTIONS
.X ± .05	± 1/64
.XX ± .01	ANGLES
.XXX ± .005	± 0° -30'

MATERIAL

FINISH

QTY. REQ.	ITEM	PART NO.	DESCRIPTION	SYMBOL
LIST OF MATERIAL				
FINAL APPROVAL: [Signature] DATE: 1/2/69				
MECH. DES. [Signature] DATE: 1/2/69				
ELECT. DES. [Signature] DATE: 1/2/69				
CHECKED [Signature] DATE: []				
DRAWN [Signature] DATE: 12/30/68				
THE TECHNICAL MATERIEL CORP. MAMARONECK, NEW YORK				
DIAGRAM, SCHEMATIC EXCITER INTERCONNECT				
SIZE	CODE IDENT.NO.	DWG NO.	ISSUE	
C	82679	CK 1596	Ø	
SCALE			SHEET	OF

CK 1596