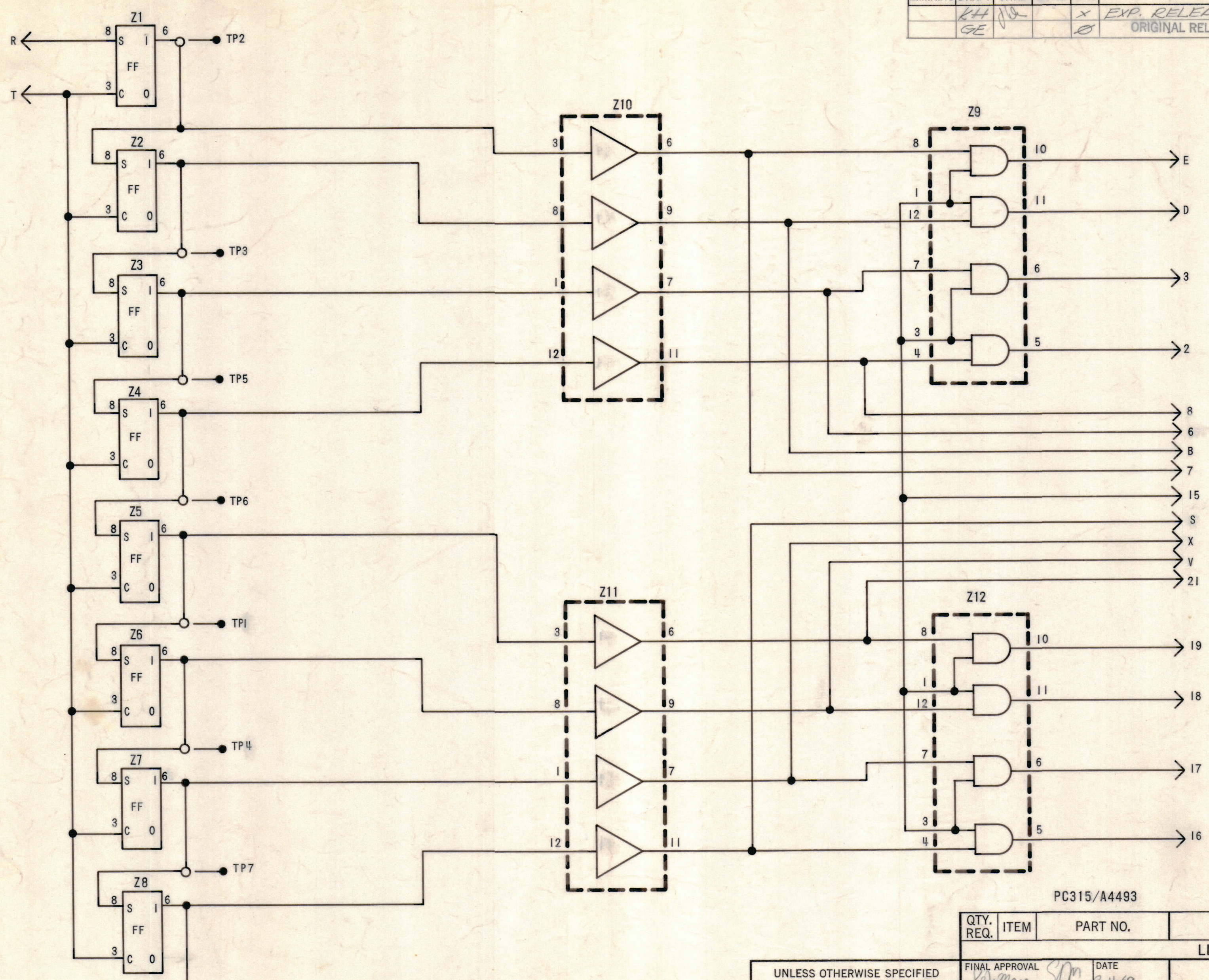


REVISIONS									
E.M.N.NO	DRAFT	CHKD	ZONE	LTR	DESCRIPTION	DATE	APPROVED		
	244	GE		X	EXP. RELEASE	6/13/69	JD		
				0	ORIGINAL RELEASE FOR PRODUCTION	8-12-69			



MODULE VOLTAGE & GND CHART			
SYMBOL	PIN CONNECTIONS		
	+12V	-12V	GND
Z1 THRU Z8	10	2	5
Z9, Z12		2	
Z10, Z11		2	5

LAST SYMBOL	MISSING SYMBOL
TP7 Z12	

NOTE:
PARTIAL REFERENCE DESIGNATIONS ARE SHOWN;
FOR COMPLETE DESIGNATION, PREFIX WITH
UNIT NUMBER AND SUB-ASSEMBLY DESIGNATION(S)
AS APPLICABLE.

PC315/A4493

2	RTIH-3, RTIH-4	A4493
QTY / UNIT	MODEL USED ON	ASS'Y NO.
APPLICATION		
	CODE	

NOTICE TO PERSONS RECEIVING THIS DRAWING
THE TECHNICAL MATERIEL CORPORATION claims proprietary right in the material disclosed herein. This drawing is issued in confidence for engineering information only and may not be reproduced or used to manufacture anything shown hereon without permission from THE TECHNICAL MATERIEL CORPORATION to the user. This drawing is loaned for mutual assistance and is subject to recall at any time.

UNLESS OTHERWISE SPECIFIED
DIMENSIONS ARE IN INCHES
AND INCLUDE CHEMICALLY APPLIED
OR PLATED FINISHES

TOLERANCES ON

DECIMALS	FRACTIONS
.X ± .05	± 1/64
.XX ± .01	ANGLES
.XXX ± .005	± 0° -30'

QTY. REQ.	ITEM	PART NO.	DESCRIPTION	SYMBOL
LIST OF MATERIAL				
<p>FINAL APPROVAL: <i>[Signature]</i> DATE: 8-11-69</p> <p>MECH. DES.: <i>[Signature]</i> DATE: 8-7-69</p> <p>ELECT. DES.: DATE:</p> <p>CHECKED: <i>[Signature]</i> DATE: 6/19/69</p> <p>DRAWN: <i>[Signature]</i> DATE: 6/16/69</p>				
<p>THE TECHNICAL MATERIEL CORP. MAMARONECK, NEW YORK</p> <p>DIAGRAM, LOGIC</p> <p>8 FLIP FLOP, SHIFT REGISTER</p>				
SIZE	CODE IDENT NO.	DWG NO.	ISSUE	
C	82679	CK 1616	Ø	
SCALE	SHEET			OF

5570
5-17

CK 1616