

4

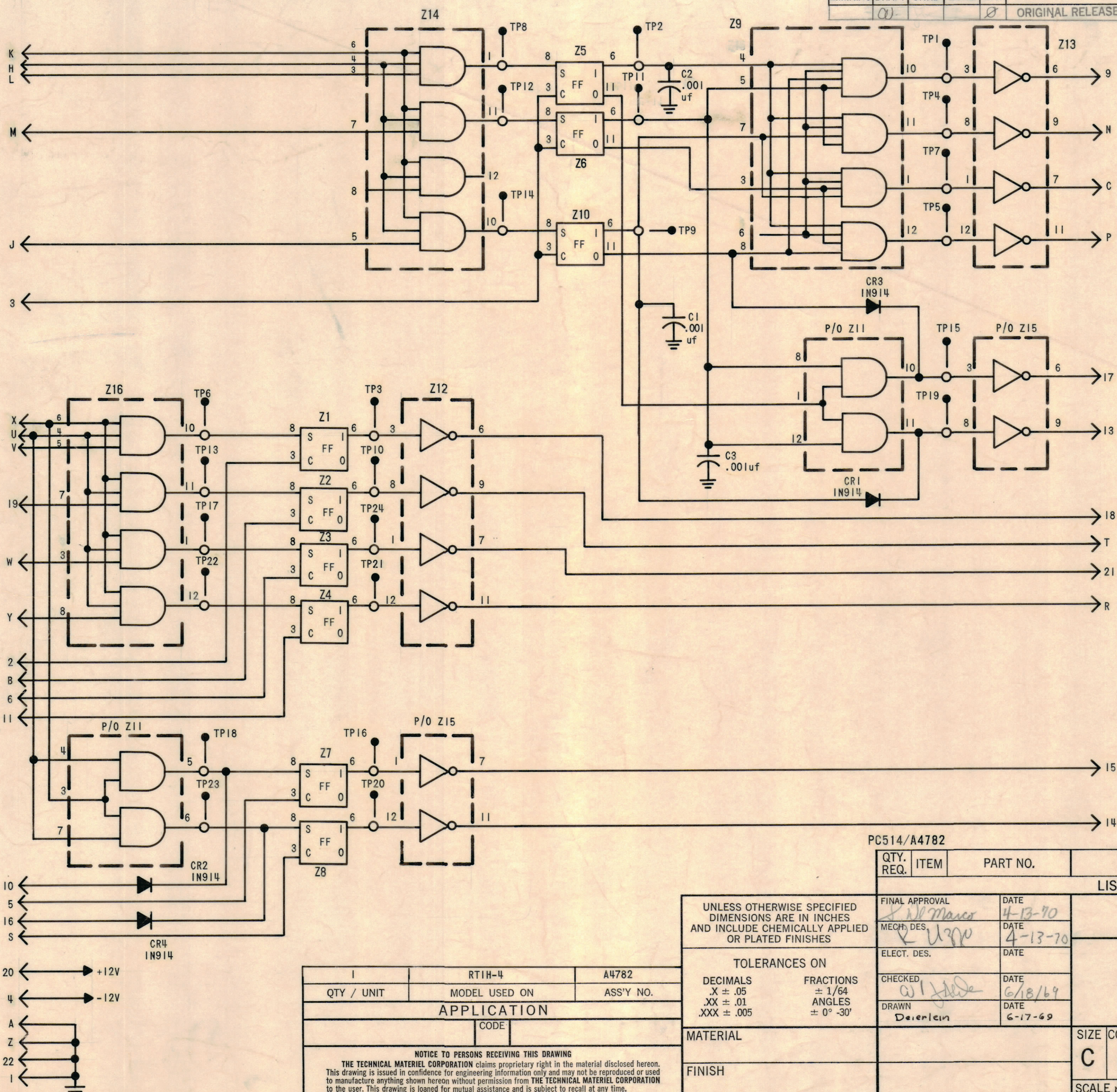
3

2

1

20405 R# 00 A ADD. LEAD IN Z9 6-2971

REVISIONS					DATE	APPROVED	
E.M.N.NO	DRAFT	CHKD	ZONE	LTR	DESCRIPTION		
	0			0	ORIGINAL RELEASE FOR PRODUCTION	4/13/70	P.E.A.



MODULE VOLTAGE AND GND CHART

SYMBOL	PIN CONNECTION		
	+12V	-12V	GND
Z1 THRU Z8, Z10	10	2	5
Z9, Z11, Z14, Z16		2	
Z12, Z13, Z15	10		5

LAST SYMBOL	MISSING SYMBOL
C3	
CR4	
TP24	
Z16	

NOTE:
 1. PARTIAL REFERENCE DESIGNATIONS ARE SHOWN; FOR COMPLETE DESIGNATION, PREFIX WITH UNIT NUMBER AND SUB-ASSEMBLY DESIGNATION(S) AS APPLICABLE.

I	RTIH-4	A4782
QTY / UNIT	MODEL USED ON	ASS'Y NO.
APPLICATION		
CODE		

NOTICE TO PERSONS RECEIVING THIS DRAWING
 THE TECHNICAL MATERIEL CORPORATION claims proprietary right in the material disclosed herein. This drawing is issued in confidence for engineering information only and may not be reproduced or used to manufacture anything shown herein without permission from THE TECHNICAL MATERIEL CORPORATION to the user. This drawing is loaned for mutual assistance and is subject to recall at any time.

UNLESS OTHERWISE SPECIFIED DIMENSIONS ARE IN INCHES AND INCLUDE CHEMICALLY APPLIED OR PLATED FINISHES

TOLERANCES ON
 DECIMALS .X ± .05
 .XX ± .01
 .XXX ± .005
 FRACTIONS ± 1/64
 ANGLES ± 0° -30'

QTY. REQ.	ITEM	PART NO.	DESCRIPTION	SYMBOL
LIST OF MATERIAL				
FINAL APPROVAL MECH. DES. DATE 4-13-70 ELECT. DES. DATE 4-13-70 CHECKED DATE 6-18-69 DRAWN DATE 6-17-69				
THE TECHNICAL MATERIEL CORP. MAMARONECK, NEW YORK				
DIAGRAM LOGIC 6 POSITION FUNCTION & LAMP DRIVER				
MATERIAL		SIZE CODE IDENT NO. DWG NO.		ISSUE
FINISH		C 82679 CK 1629		A
SCALE NONE			SHEET OF	