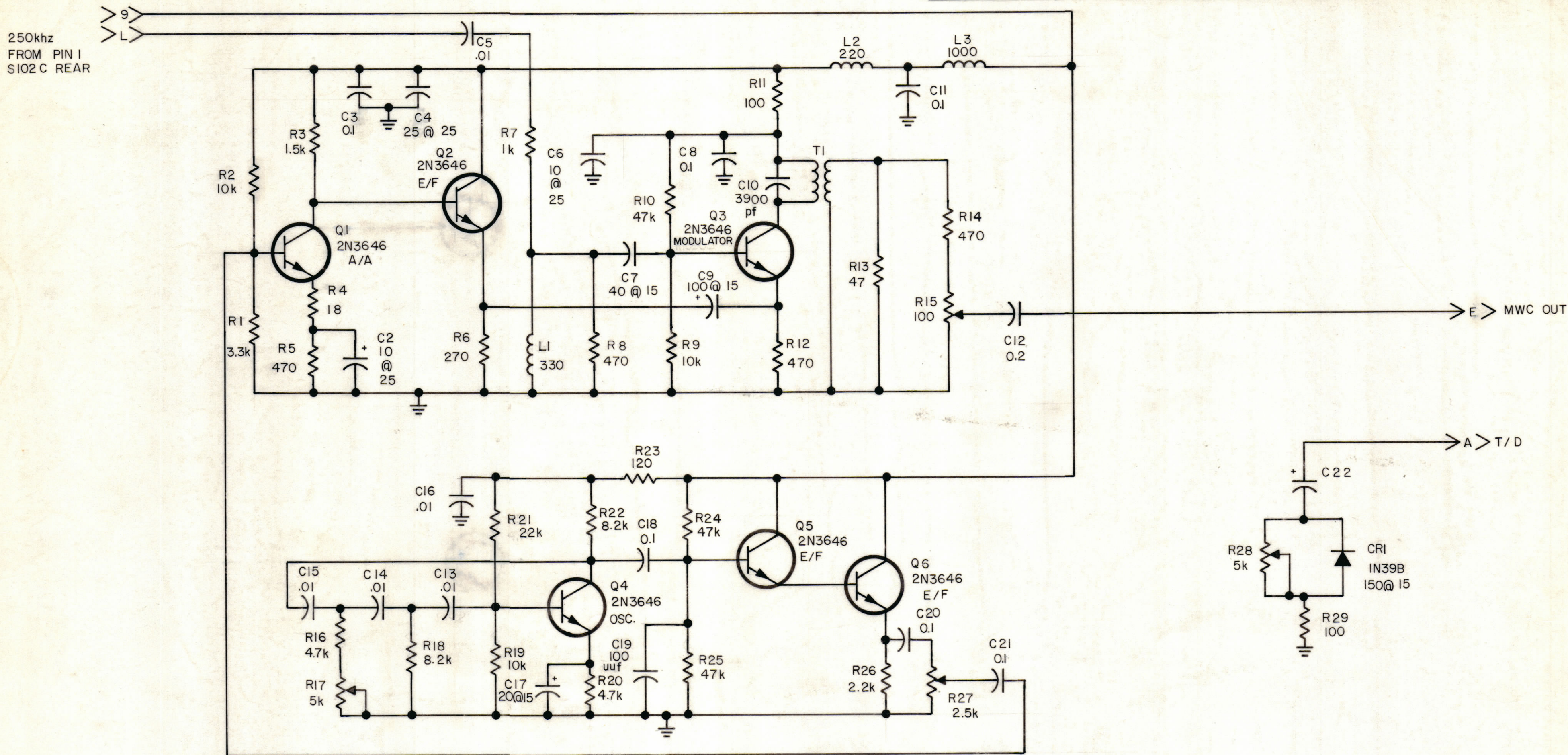


REVISIONS					DATE	APPROVED
E.M.N.NO	DRAFT	CHKD	ZONE	LTR	DESCRIPTION	
	GE			X	EXP RELEASE	6/1/70
	CS			0	ORIGINAL RELEASE	5/9/73



LAST SYMBOL	MISSING SYMBOL
C22	
L 3	
Q6	
R29	
T1	
CRI	

1	SME-6	
QTY / UNIT	MODEL USED ON	ASS'Y NO.
APPLICATION		
	CODE	
NOTICE TO PERSONS RECEIVING THIS DRAWING		
THE TECHNICAL MATERIEL CORPORATION claims proprietary right in the material disclosed hereon. This drawing is issued in confidence for engineering information only and may not be reproduced or used to manufacture anything shown hereon without permission from THE TECHNICAL MATERIEL CORPORATION to the user. This drawing is loaned for mutual assistance and is subject to recall at any time.		

QTY. REQ.	ITEM	PART NO.	DESCRIPTION	SYMBOL
PC 578 / A-4844				
O. POSE				
FINAL APPROVAL		DATE	LIST OF MATERIAL	
MECH. DES.		DATE	THE TECHNICAL MATERIEL CORP.	
ELECT. DES.		DATE	MAMARONECK, NEW YORK	
CHECKED		DATE	DIAGRAM SCHEMATIC	
DRAWN		DATE	800 CYCLE MCW MODULE	
MATERIAL		DATE	SIZE	ISSUE
FINISH		DATE	CODE IDENT NO.	DWG NO.
		DATE	C 82679	CK 1783
		DATE	SCALE	SHEET OF
		DATE		1