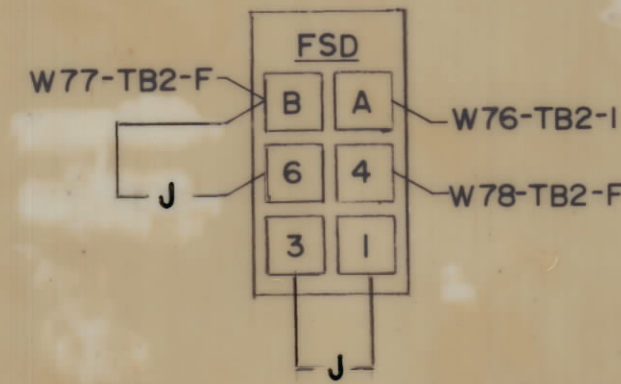
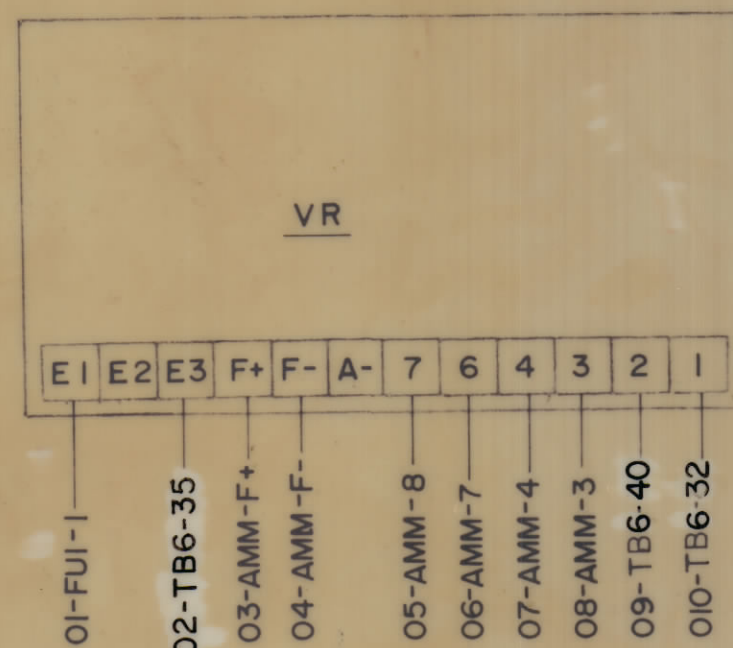
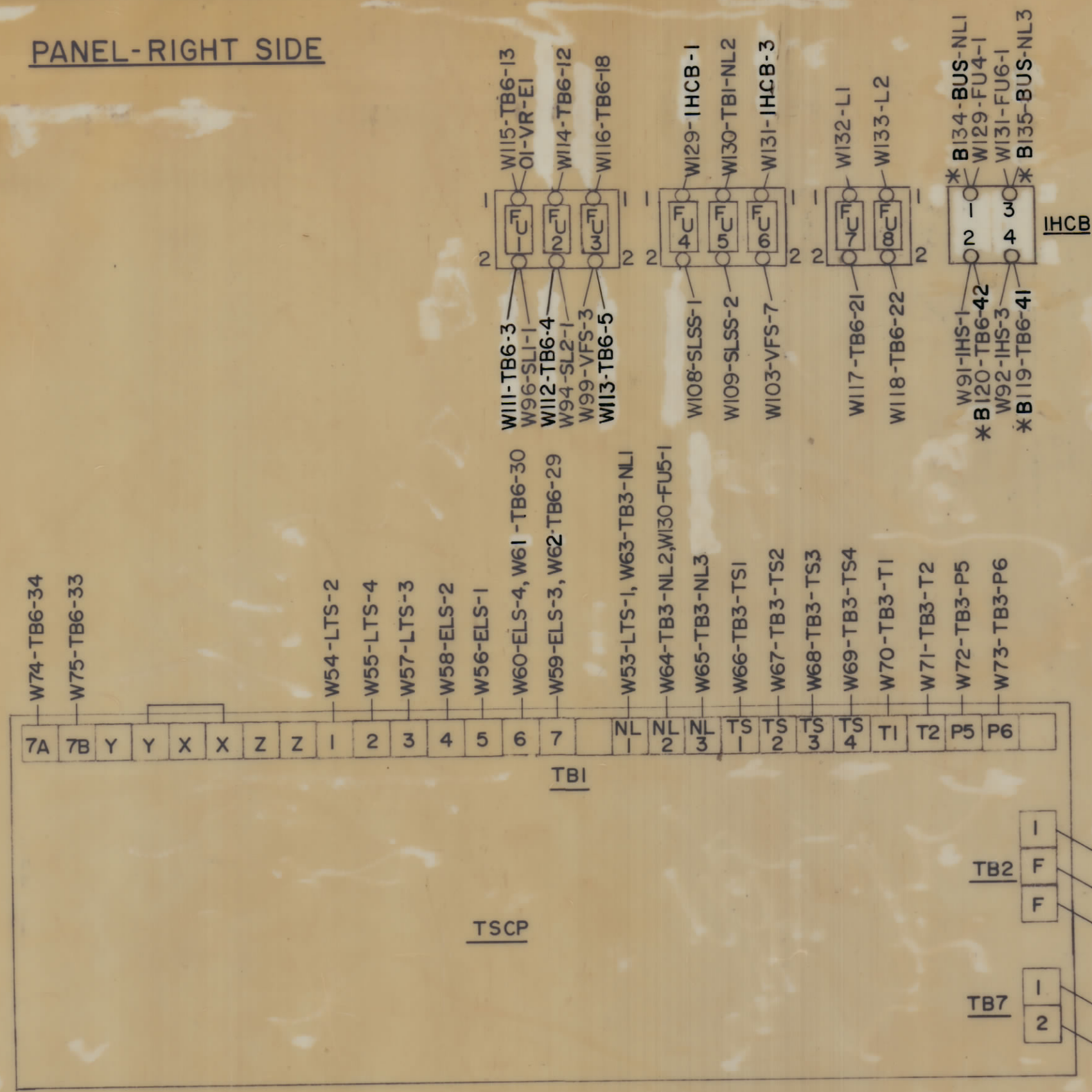


PANEL-RIGHT SIDE



- W49-ESCS-1
- W110-SLSS-3, W111-FUI-2
- W112-FU2-2, Y18-ETM-1
- W113-FU3-2
- Y9-CTTB-1
- Y12-AMS-1
- Y14-AMS-9
- Y23-CTTB-3
- Y13-AMS-3
- W114-FU2-1
- W115-FUI-1
- R33-FMRL-1
- R34-FMRL-2
- W47-FAR-1
- W48-FAR-3
- W116-FU3-1
- W140-MC-2
- W139-MC-3
- W117-FU7-2
- W118-FU8-2
- 013-AMM-E1
- 014-AMM-E2
- W90-IHS-2
- R32-DCL-1
- W62-TBI-7
- W61-TBI-6
- W89-IHS-4
- 010-VR-1
- W75-TBI-7B
- W74-TBI-7A, W50-ESCS-2
- 02-VR-E3
- 012-AMM-1
- 011-AMM-2
- R31-DCL-2, W84-NLTS-2
- W83-NLTS-1
- 09-VR-2
- * B119-FUI2-2
- * B120-FUI1-2
- MSCS
- W79-SPB-1, W82-TB7-1
- W81-TB7-2
- W80-SPB-2

FOR CONTINUATION SEE DRAWING CK1816

* (NO. 6 AWG)

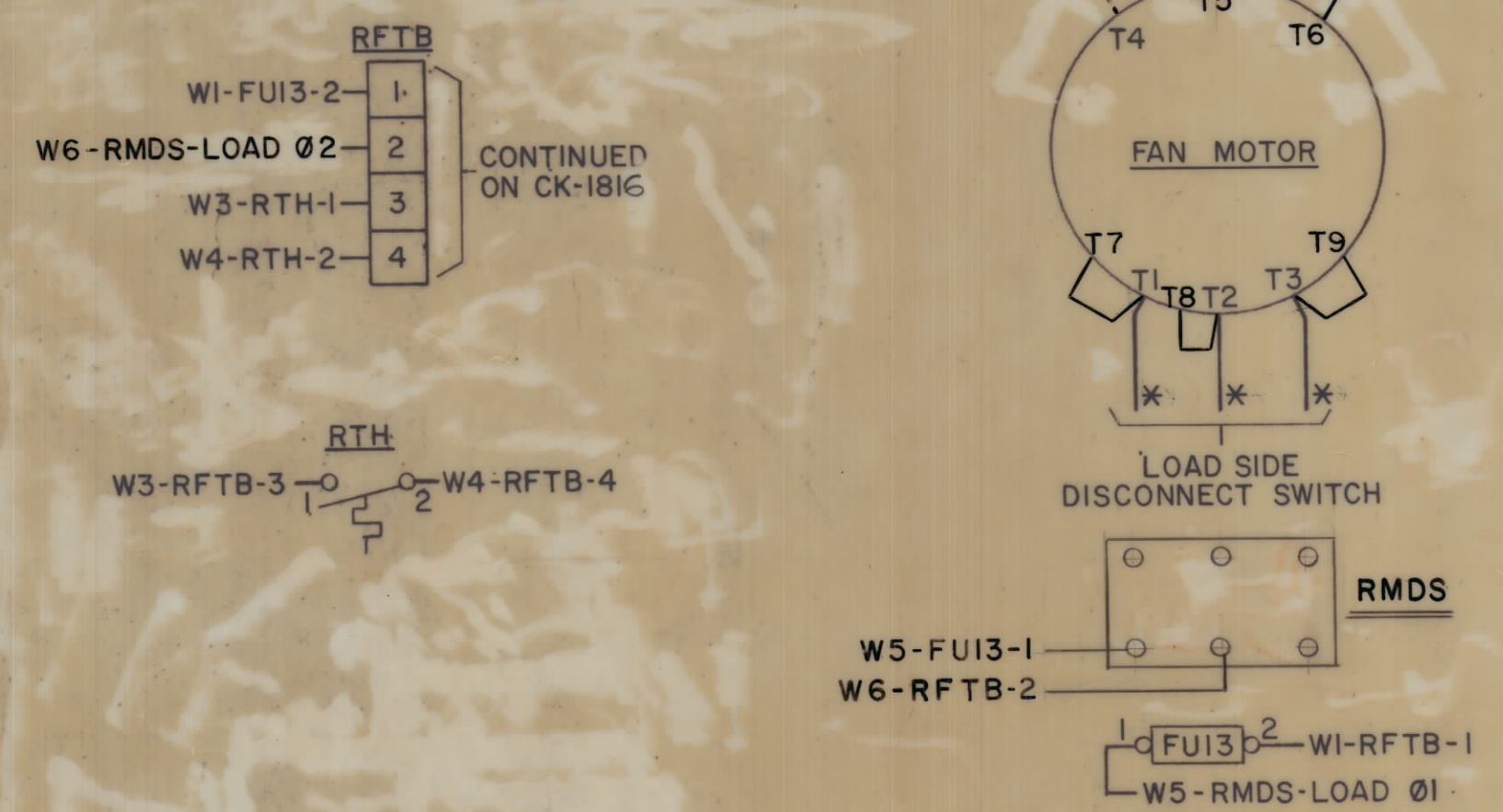
REVISIONS					
ZONE	LTR	DESCRIPTION	DATE	DRAFT	CHK'D APP'D
B2	A	REVISED FAN MOTOR WIRING TO NO. 6AWG	5/25/73	ESF	ES
D6	B	REVISED FUI3 FUI2 ADDED TB6-41 & 42	6/18/73	ESF	ES R.C.
	C	SEE SHT. 1 OF 2	6/21/73	Rmf	ES
	D	SEE SHT. 1 OF 2. ADDED IHCB FOR FUI1,12	7/10/73	Rmf	ES R.C.

LEGEND

- AM—AMMETER
- AMM—AUTOMATIC MANUAL MODULE
- AMS—AMMETER SWITCH
- CTI-3—CURRENT TRANSFORMER
- CT4—CROSS CURRENT COMPENSATING TRANSFORMER
- CTTB—CURRENT TRANSFORMER TERMINAL BLOCK
- DCL—DC CONTROL INDICATOR LIGHT
- ELS—EXTENDED LOAD STOP PUSHBUTTON
- ELTL—EXTENDED LOAD TEST LIGHT
- ESCS—EMERGENCY STOP AND CONTROL CUT-OUT SWITCH
- ETM—ELAPSED TIME METER
- FAR—GOVERNOR CONTROL RHEOSTAT
- FM—FREQUENCY METER
- FMRL—RADIATOR FAN MOTOR RUNNING LIGHT
- FSD—FREQUENCY SENSING DEVICE
- FU—FUSE
- IHS—IMMERSION HEATER SWITCH
- LTS—LOAD TEST PUSHBUTTON
- MC—RADIATOR FAN MOTOR CONTACTOR
- MSCS—MANUAL SYNCHRONIZING CONTROL SWITCH
- NLTS—NO LOAD TEST START PUSHBUTTON
- SLI,2—SYNCHRONIZING LIGHT
- SLSS—SYNCHRONIZING LIGHTS / SYNCHROSCOPE SWITCH
- SPB—SYNCHRONIZING PUSHBUTTON
- SS—SYNCHROSCOPE
- TB—TERMINAL BLOCK
- TS—TRANSFER SWITCH
- TSCP—TRANSFER SWITCH CONTROL PANEL
- VFS—VOLTMETER / FREQUENCY METER SELECTOR SWITCH
- VM—VOLTMETER
- VMS—VOLTMETER SWITCH
- VR—VOLTAGE REGULATOR

NOTE:
ALL WIRING IS NO. 14 AWG UNLESS OTHERWISE SPECIFIED

RADIATOR FAN WIRING



- FU—FUSE
- RMDS—RADIATOR MOTOR DISCONNECT SWITCH
- RFTB—RADIATOR FAN TERMINAL BLOCK
- RTH—RADIATOR THERMOSTAT

* NO. 6 AWG

QTY REQ	QTY REQ	QTY REQ	ITEM	PART NO.	MANUFACTURER	DESCRIPTION	SYM
PARTS LIST							
						THE TMC SYSTEMS AND POWER CORPORATION SPRINGFIELD, VIRGINIA	
						WIRING DIAGRAM AC CONTROL CABINET 500KW 120/208VAC	
						SIZE 24146 DWG. NO. CK1817	REV D
						SCALE NONE	SHEET 2 OF 2

INTERPRET DRAWING PER LISTED DOCUMENTS		UNLESS OTHERWISE SPECIFIED DIMENSIONS ARE IN INCHES AND INCLUDE CHEMICALLY APPLIED OR PLATED FINISHES REMOVE ALL BURRS AND SHARP EDGES		DRAWN FERNANDEZ DATE 4/5/73	
DIMENSIONING MIL-STD-8 SURFACE ROUGHNESS MIL-STD-10 ABBREVIATIONS MIL-STD-12 ELECTRONIC SYMBOLS MIL-STD-15 WELDING SYMBOLS JAN-STD-19		TOLERANCES ON FRACTIONS ANGLES DECIMALS		CHECKED ERB DATE 22 MAR 73	
NEXT ASSY USED ON		MATERIAL		D. ENG. DATE 6-1-73	
APPLICATION		FINISH		P. ENG. DATE 22 MAR 73	
NOTICE TO PERSONS RECEIVING THIS DRAWING THE TMC SYSTEMS AND POWER CORPORATION claims proprietary right in the material disclosed hereon. This drawing is issued in confidence for engineering information only and may not be reproduced or used to manufacture anything shown hereon without permission from THE TMC SYSTEMS AND POWER CORPORATION to the user. This drawing is loaned for mutual assistance and is subject to recall at any time.				P. MGR. DATE	
				CHIEF ENG. DEPT DATE 22 MAR 73	
				TMC QA DATE 2-2-73	
				FAA QRO DATE 2-7-73	