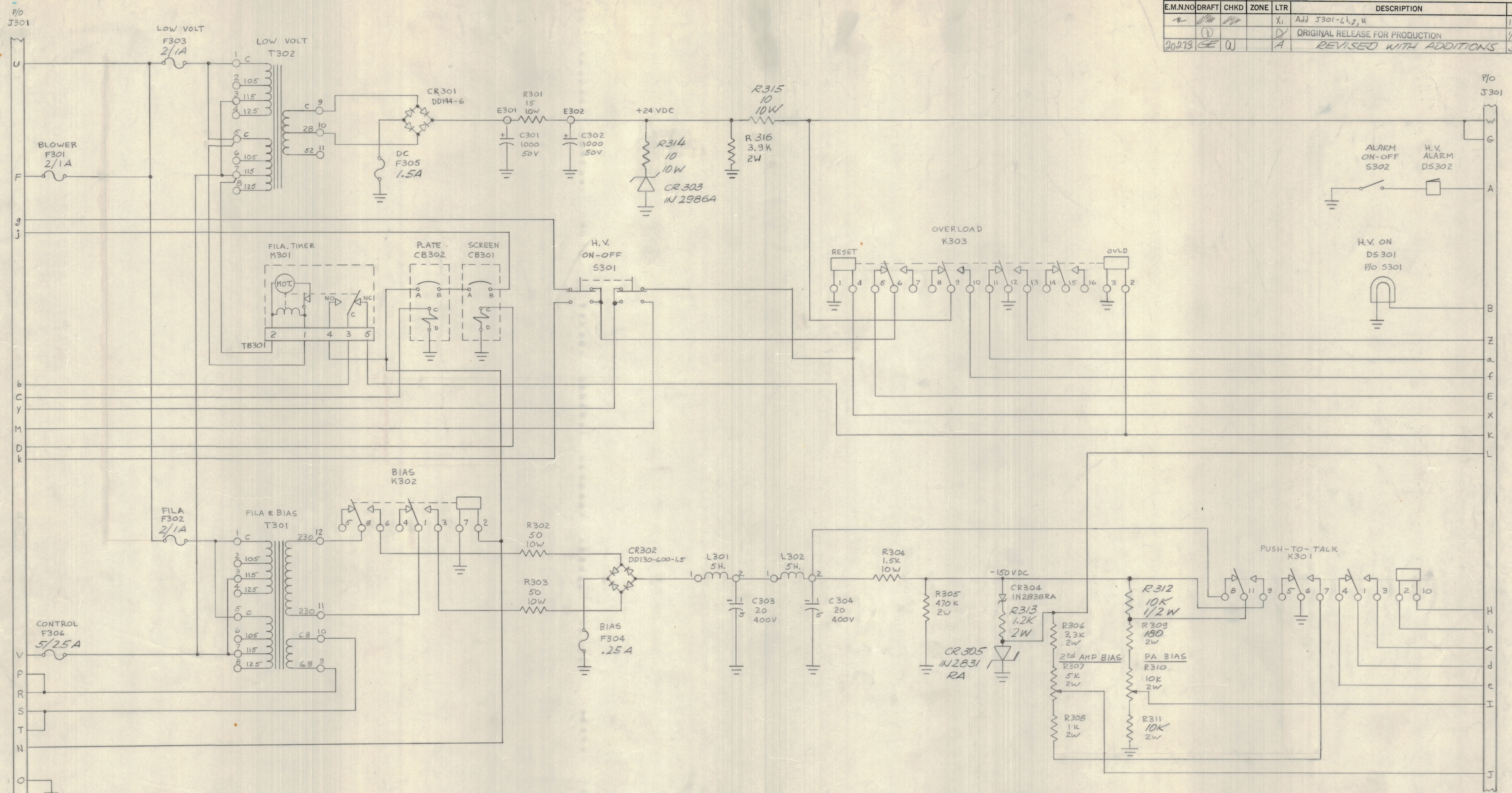


REVISIONS							
E.M.N.O.	DRAFT	CHKD	ZONE	LTR	DESCRIPTION	DATE	APPROVED
				X1	Add J301-L, G, N	14 Oct 70	
	①				ORIGINAL RELEASE FOR PRODUCTION	1/24/71	P.E.B.
20273	CE	Q		A	REVISED WITH ADDITIONS	3/5/71	P.E.B.



LAST SYMBOLS	MISSING SYMBOLS
C304 R315	XC301, 2
CB302 S302	XC R301, 3, 3
CR305 T302	
DS302 XC304	
F306 XCR305	
J301 XDS301	
K303 XF306	
L302 XK303	
M301 WS01	
TB301 E306	

E303, 304, 305, 306 NOT SHOWN.

UNLESS OTHERWISE SPECIFIED:
 ALL RESISTANCE IN OHMS 1/2W.
 ALL CAPACITANCES IN MFD.
 AC FUSE VALUES SHOWN FOR 115/230 V OPERATION.
 TRANSFORMERS SHOWN WIRED FOR 115 V. FOR OTHER VOLTAGES CHANGE LINE & JUMPERS TO CORRESPOND.

APPLICATION		
QTY / UNIT	MODEL USED ON	ASSY NO.
	AP-149	
CODE		
MATERIAL		
FINISH		

UNLESS OTHERWISE SPECIFIED DIMENSIONS ARE IN INCHES AND INCLUDE CHEMICALLY APPLIED OR PLATED FINISHES

TOLERANCES ON
 DECIMALS .X ± .05
 .XX ± .01
 .XXX ± .005
 FRACTIONS ± 1/64
 ANGLES ± 0° - 30'

QTY. REQ.	ITEM	PART NO.	DESCRIPTION	SYMBOL
BUDGET 1				
FINAL APPROVAL		DATE	LIST OF MATERIAL	
MECH. DES.		25 Jan 71	THE TECHNICAL MATERIEL CORP.	
ELECT. DES.		DATE	MAMARONECK, NEW YORK	
CHECKED		DATE	DIAGRAM, SCHEMATIC	
DRAWN		DATE	LV & BIAS SUPPLY, AP 149	
		12 AUG 70	SIZE CODE IDENT NO. DWG NO.	
			D 82679 CK1840	
			ISSUE	
			A	
SCALE				SHEET OF

NOTICE TO PERSONS RECEIVING THIS DRAWING
 THE TECHNICAL MATERIEL CORPORATION claims proprietary right in the material disclosed herein. This drawing is issued in confidence for engineering information only and may not be reproduced or used to manufacture anything shown herein without permission from THE TECHNICAL MATERIEL CORPORATION to the user. This drawing is loaned for mutual assistance and is subject to recall at any time.