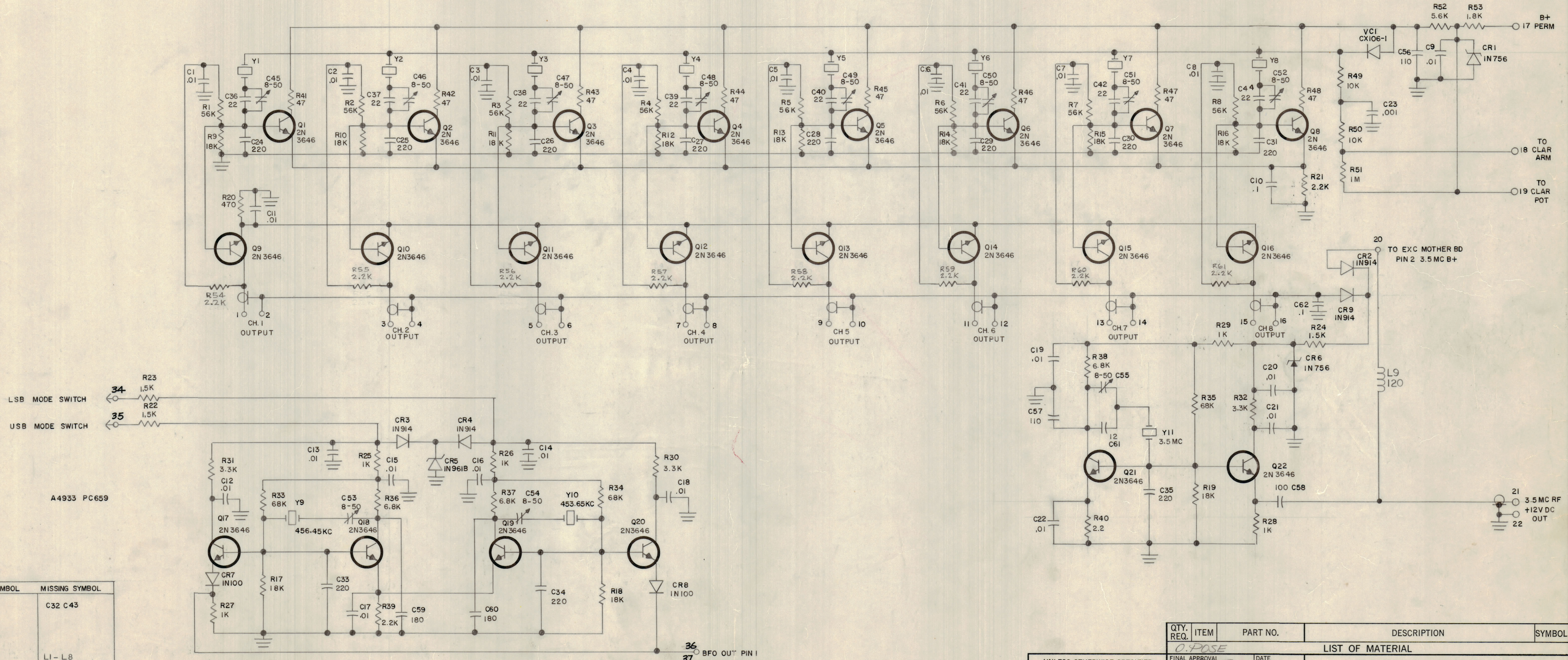


REVISIONS							
E.M.N.O	DRAFT	CHKD	ZONE	LTR	DESCRIPTION	DATE	APPROVED
	CE			X1	UPDATED SYMBOLIZATION	1-16-73	
				X2	ADD MISS. SYM. C32 & C43		
	GE	AK		X3	ADD LAST SYMBOL LB, C46 V56 TO CK106-1, ADD IN914 TO CR2, CR9, ADD 456, 45K AT Y9	2-15-73	ak
	CL			Ø	ORIGINAL RELEASE FOR PRODUCTION	8-28-73	
21335	CL	YAB		A	R54-R61 WAS LI-L8, ADDED L9	9/28/75	



LAST SYMBOL	MISSING SYMBOL
C 62	C32 C43
C R 9	
Q 22	
R 61	
Y 11	
V C 1	
L 9	LI - L8

TM125 TMR-1		
QTY / UNIT	MODEL USED ON	ASSY NO.
APPLICATION		
CODE		
MATERIAL		
FINISH		

QTY. REQ.	ITEM	PART NO.	DESCRIPTION	SYMBOL
D. POSE				
LIST OF MATERIAL				
FINAL APPROVAL		DATE	THE TECHNICAL MATERIEL CORP. MAMARONECK, NEW YORK	
MECH. DES.		DATE	DIAGRAM SCHEMATIC	
ELECT. DES.		DATE	CRYSTAL OSCILLATOR BD.	
CHECKED		DATE	SIZE CODE IDENT NO. DWG NO.	
DRAWN		DATE	D 82679 CK1976	
MATERIAL		SCALE		ISSUE
FINISH		SHEET		A

NOTICE TO PERSONS RECEIVING THIS DRAWING
 THE TECHNICAL MATERIEL CORPORATION claims proprietary right in the material disclosed herein. This drawing is issued in confidence for engineering information only and may not be reproduced or used to manufacture anything shown hereon without permission from THE TECHNICAL MATERIEL CORPORATION to the user. This drawing is loaned for mutual assistance and is subject to recall at any time.