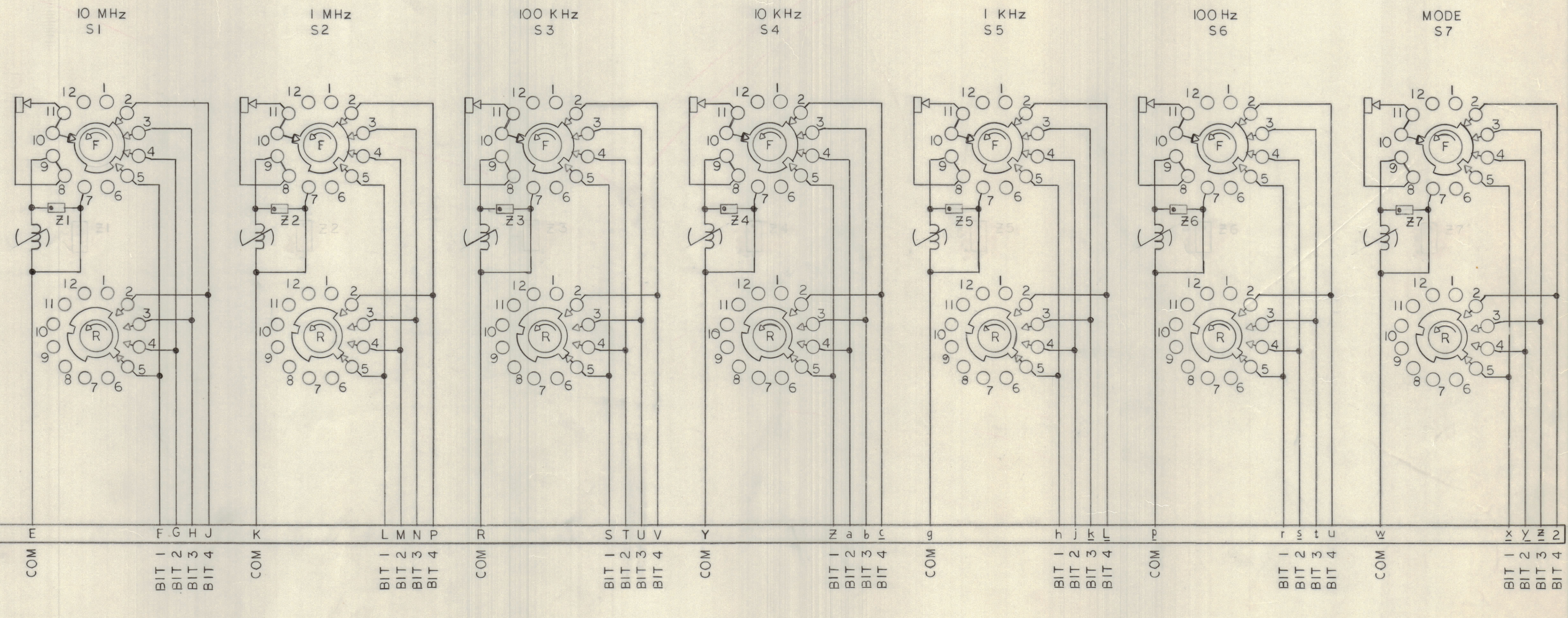
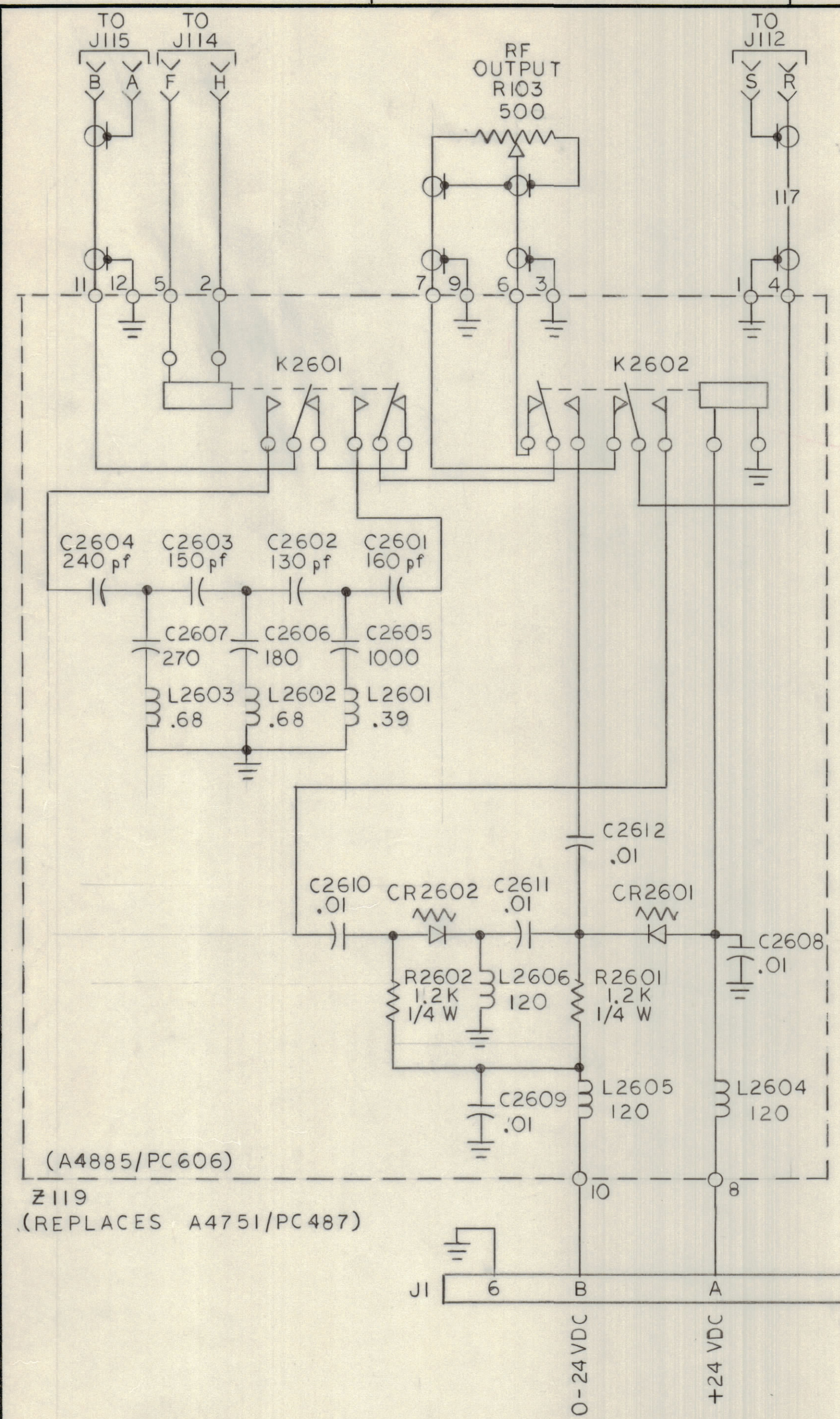


REVISIONS						
E.M.N.O	DRAFT	CHKD	ZONE	LTR	DATE	APPROVED
	CL				9/29/73	
					DESCRIPTION	
					ORIGINAL RELEASE FOR PRODUCTION	



- UNLESS OTHERWISE SPECIFIED:
1. RESISTORS ARE IN OHMS, 1/2 W.
  2. CAPACITORS ARE IN MICROFARADS.
  3. INDUCTORS ARE IN MICROHENRIES.
  4. SWITCH SHOWN IN POSITION 1.
  5. WAFERS VIEWED FROM SOLENOID END.
  6. REAR OF WAFER VIEWED LOOKING THROUGH WAFER.

CONTROL CODES FOR FREQ. & MODE

POSITION	BITS				FREQUENCY	MODE
	4	3	2	1		
1	0	0	0	1	0	AM
2	0	0	1	0	1	USB
3	0	1	0	0	2	LSB
4	1	0	0	1	3	ISB
5	0	0	1	1	4	CW
6	0	1	1	0	5	FSK
7	1	1	0	1	6	FAX
8	1	0	1	1	7	-
9	0	1	1	1	8	-
10	1	1	1	0	9	-
11	1	1	0	0	-	-
12	1	0	0	0	-	-

KIT 392		
QTY / UNIT	MODEL USED ON	ASSY NO.
APPLICATION		
CODE		
MATERIAL		
FINISH		

UNLESS OTHERWISE SPECIFIED DIMENSIONS ARE IN INCHES AND INCLUDE CHEMICALLY APPLIED OR PLATED FINISHES	FINAL APPROVAL	DATE
TOLERANCES ON	MECH. DES.	DATE
DECIMALS	ELECT. DES.	DATE
FRACTIONS	CHECKED	DATE
ANGLES	DRAWN	DATE

QTY. REQ.	ITEM	PART NO.	DESCRIPTION	SYMBOL
LIST OF MATERIAL				
THE TECHNICAL MATERIEL CORP. MAMARONECK, NEW YORK				
DIAGRAM, SCHEMATIC				
MMX REMOTE CONTROL KIT 392				
SIZE	CODE	IDENT NO.	DWG NO.	ISSUE
D	82679		CK1979	1
SCALE				SHEET OF

NOTICE TO PERSONS RECEIVING THIS DRAWING  
THE TECHNICAL MATERIEL CORPORATION claims proprietary right in the material disclosed hereon. This drawing is issued in confidence for engineering information only and may not be reproduced or used to manufacture anything shown hereon without permission from THE TECHNICAL MATERIEL CORPORATION to the user. This drawing is loaned for mutual assistance and is subject to recall at any time.