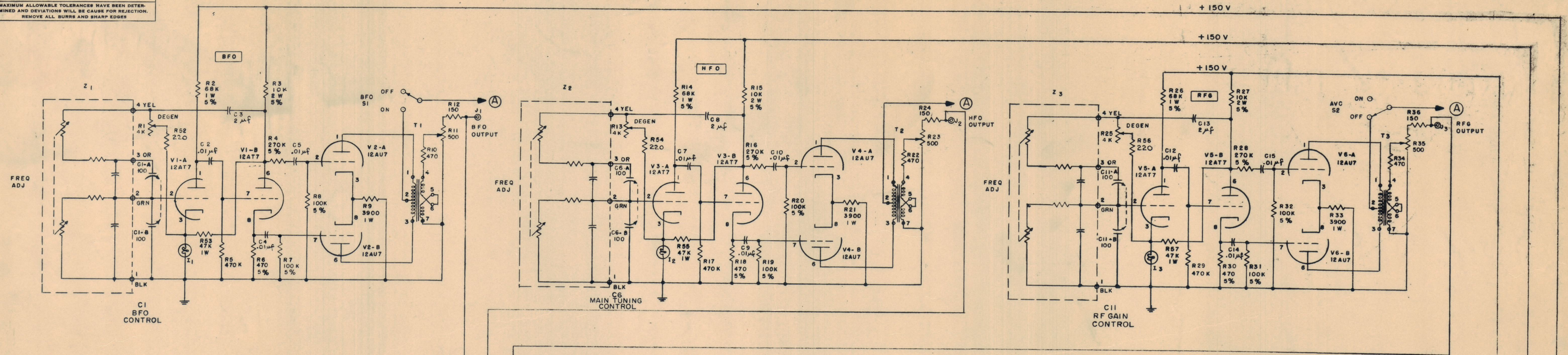


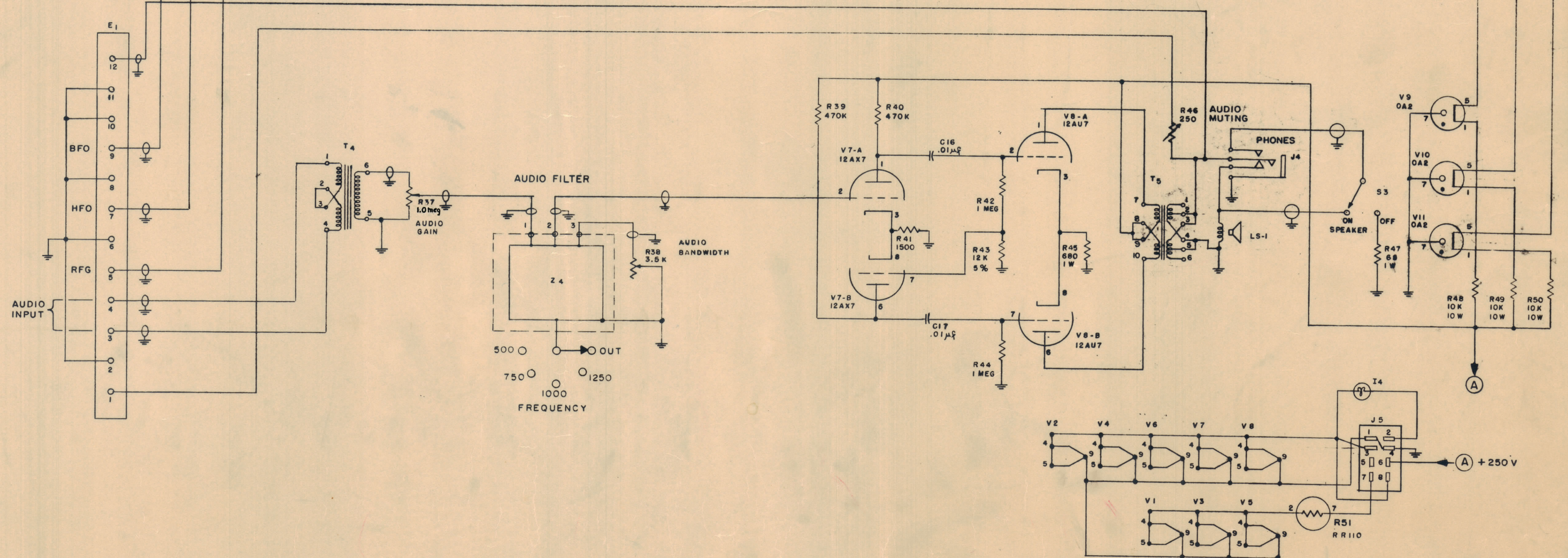
IF IT IS FOUND DESIRABLE TO CHANGE ANY TOLERANCE OR OTHER DETAIL SPECIFIED ON THIS DRAWING NOTIFY THE PURCHASER PROMPTLY.
 MAXIMUM ALLOWABLE TOLERANCES HAVE BEEN DETERMINED AND DEVIATIONS WILL BE CAUSE FOR REJECTION.
 REMOVE ALL BURRS AND SHARP EDGES



Z1 BFO		
MODEL	FREQ	PART NO
RSC-2A	1275	NF-104-1275
RSC-2B	1445	NF-104-1445
RSC-2C	1615	NF-104-1615
RSC-2D	1785	NF-104-1785
RSC-2E	1955	NF-104-1955

Z2 HFO		
MODEL	FREQ	PART NO
RSC-2A	425	NF-104-425
RSC-2B	595	NF-104-595
RSC-2C	765	NF-104-765
RSC-2D	935	NF-104-935
RSC-2E	1105	NF-104-1105

Z3 RFG		
MODEL	FREQ	PART NO
RSC-2A	2125	NF-104-2125
RSC-2B	2295	NF-104-2295
RSC-2C	2465	NF-104-2465
RSC-2D	2635	NF-104-2635
RSC-2E	2805	NF-104-2805



ISSUE	ITEM	CHANGED FROM	DATE	CH. NO.	DRAFTS	CHECKER	ENG. APP.
J	1	R37-1.0meg WAS 100K	11/16/53	10433	15	AJJ	
	5	R51 WAS V12 (SYM. EEEEE)					
H	4	24 FREQ. ADJ ADDED	11/11/53	470	16	AJJ	
	3	21 TITLES ADDED					
	2	C1, C2, C11 TITLES ADDED					
	1	VOLTAGES ADDED					
G	2	R52, R54, R56 WERE 1K	11/10/53	7	15	AJJ	
	1	R1, R2, R3, R5 WERE 2K					
F	1	R52, R54, R56 WERE 1.5K	10/21/53	6	15	AJJ	
E	1	R52, R54, R56, R57 ADDED	8-21-53	5	15	AJJ	
D	1	S2 ON/OFF REVERSED	5/16/53	4	15	AJJ	
C	1	FORM. S2 ON/OFF	2/11/53	3	15	AJJ	
B	1	COMPLETELY REVISED	11/16/53	2	15	AJJ	
A	1	C13 WAS C14 C14 WAS C13	11/16/53	1	15	AJJ	

NOTICE TO PERSONS RECEIVING THIS DRAWING
 THE TECHNICAL MATERIEL CORPORATION claims proprietary right in the material disclosed hereon. This drawing is issued in confidence for engineering information only and may not be reproduced or used to manufacture anything shown hereon without permission from THE TECHNICAL MATERIEL CORPORATION to the user. This drawing is loaned for mutual assistance and is subject to recall at any time.
 Property of:
 THE TECHNICAL MATERIEL CORPORATION
 MAMARONECK, NEW YORK

NOTE:
 RESISTORS ARE 1/2W & 10% UNLESS OTHERWISE SPECIFIED.
 CAPACITORS ARE IN $\mu\mu\text{f}$ UNLESS OTHERWISE SPECIFIED.

MODEL	PROJECT NO.	ASBY. NO.	DATE
RSC-3 (A-B-C-D-E)			10-14-53
RSC-2 (A-B-C-D-E)	170		10-18-54

REQ. ITEM	PART NO.	DESCRIPTION	SYMBOL
STOCK SIZE			
MATERIAL			
WEIGHT PER PC.			
TYPE & TEMPER.			
HEAT TREAT. SPEC.			
FINISH & SPEC. NO.			
THE TECHNICAL MATERIEL CORP. MAMARONECK, NEW YORK SCHEMATIC DIAGRAM RSC-2 #3.			
DRAWN		ELEC. DES. APP.	
CHECKED		MECH. DES. APP.	
SUPERCEDES		FINAL APPROVAL	
RSC-1		CK-248	