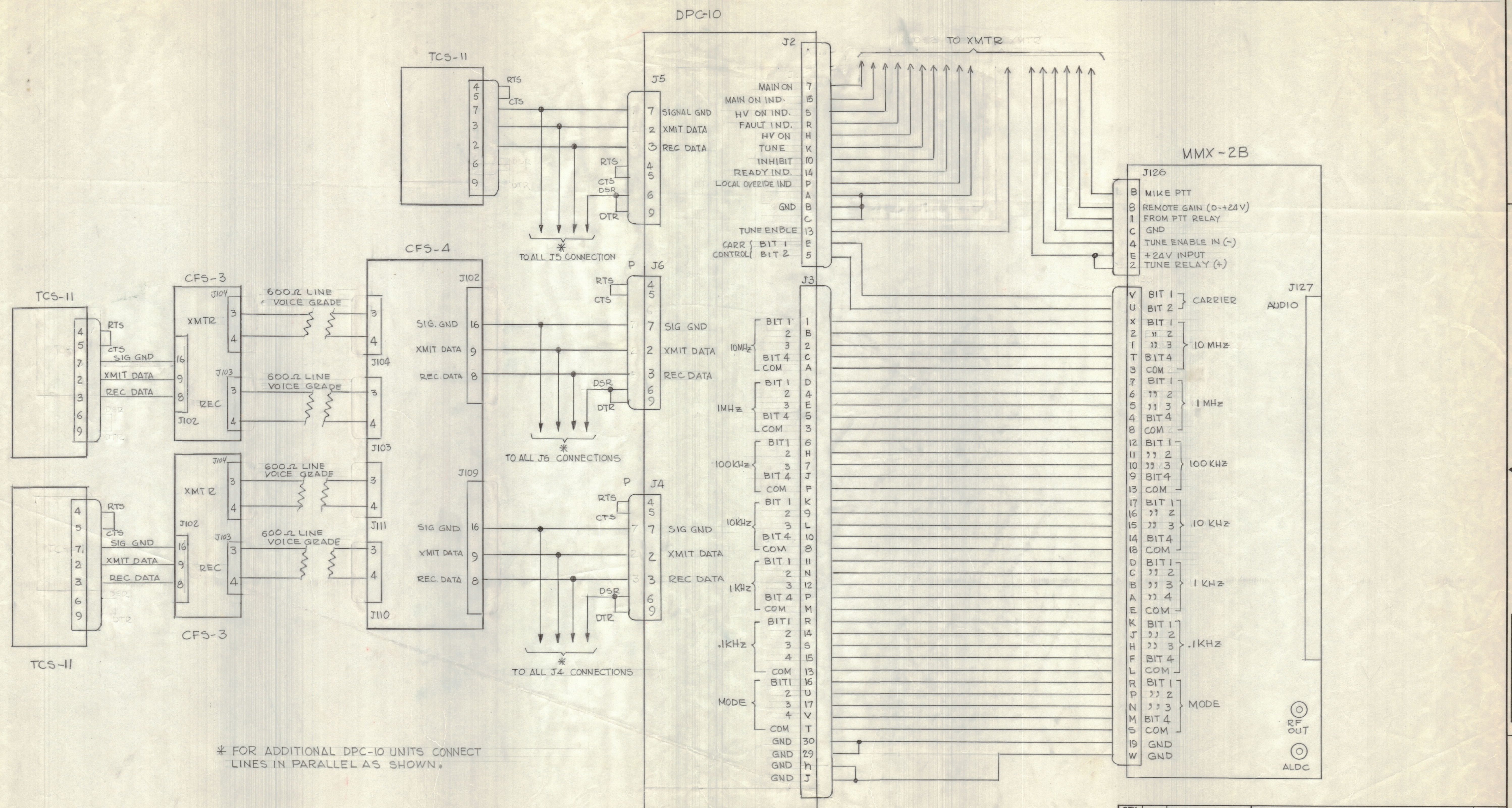


REVISIONS							
E.M.N.O	DRAFT	CHKD	ZONE	LTR	DESCRIPTION	DATE	APPROVED
	GBL			X	NOTE & ADDITIONAL CONNECTS TO J4-J6 ADD.	8-17-78	



\* FOR ADDITIONAL DPC-10 UNITS CONNECT LINES IN PARALLEL AS SHOWN.

QTY. REQ.	ITEM	PART NO.	DESCRIPTION	SYMBOL
LIST OF MATERIAL				
<b>THE TECHNICAL MATERIEL CORP.</b> MAMARONECK, NEW YORK				
INTERCONNECT DIAGRAM REMOTE CONTROL SYSTEM				
SIZE			CODE IDENT NO.	DWG NO.
D			82679	CK 2206
SCALE			SHEET	OF
				X1

FINAL APPROVAL	DATE
MECH. DES.	DATE
ELECT. DES.	DATE
CHECKED	DATE
DRAWN	DATE
G.D.L.	7-21-78

TOLERANCES ON	
DECIMALS	FRACTIONS
.X ± .05	± 1/64
.XX ± .01	ANGLES
.XXX ± .005	± 0° -30'

QTY / UNIT	MODEL USED ON	ASS'Y NO.
	APPLICATION	
	CODE	

NOTICE TO PERSONS RECEIVING THIS DRAWING  
 THE TECHNICAL MATERIEL CORPORATION claims proprietary right in the material disclosed hereon. This drawing is issued in confidence for engineering information only and may not be reproduced or used to manufacture anything shown hereon without permission from THE TECHNICAL MATERIEL CORPORATION to the user. This drawing is loaned for mutual assistance and is subject to recall at any time.

D

C

B

A

D

C

B

A