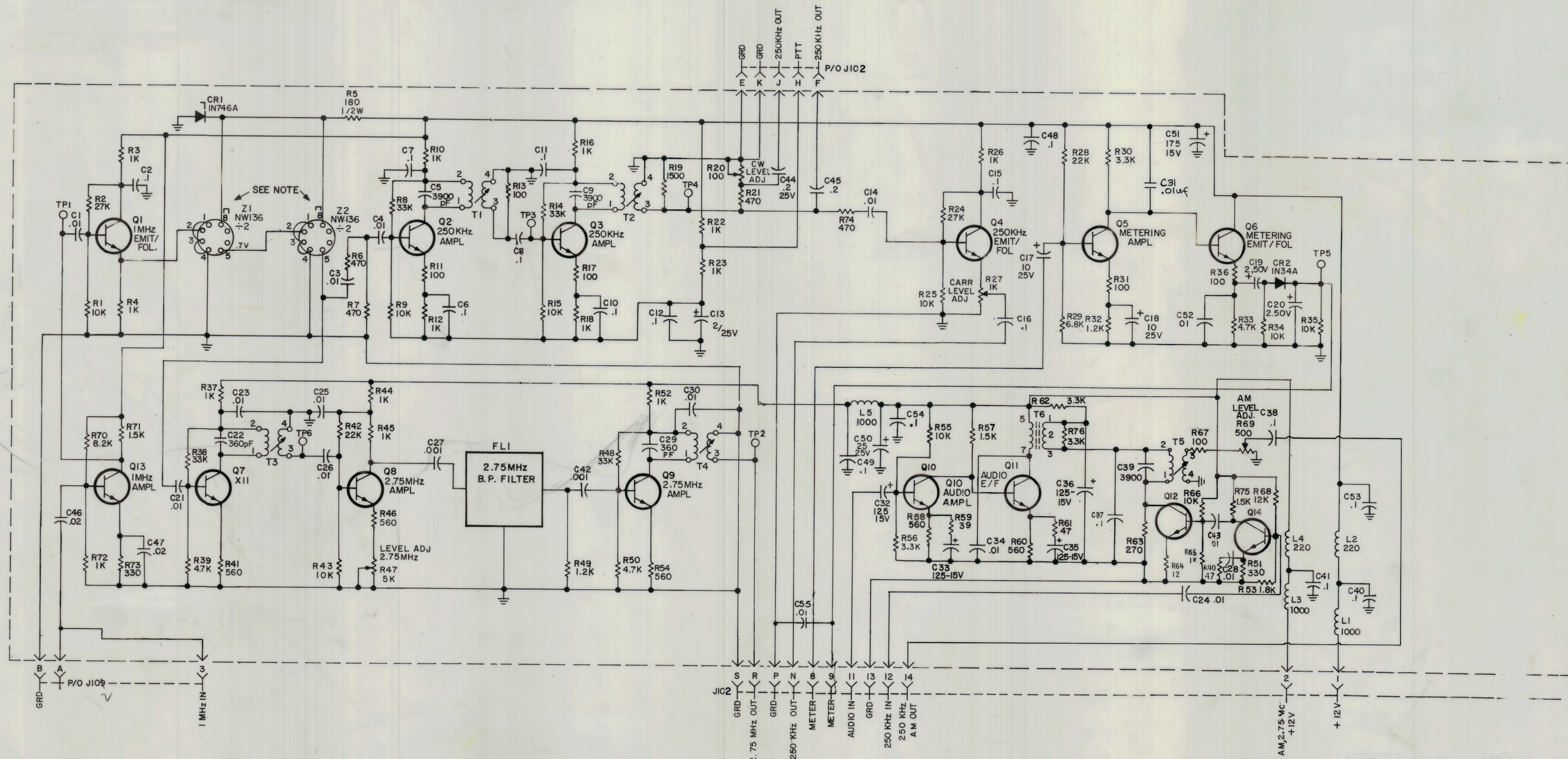


REVISIONS						
ZONE	LTR	DESCRIPTION	DATE	E.M.N. NO.	DRAFT	CHKD APPD
Ø		ORIGINAL RELEASE for Production	3-5-82			



LAST SYMBOLS	MISSING SYMBOLS
C55	
CR2	
FL1	
L5	
Q14	
R76	
T6	
TP6	
Z2	

**NOTES:** UNLESS OTHERWISE SPECIFIED

- 1-ALL RESISTANCE VALUES ARE IN OHMS, 1/4 WATT.
- 2-ALL CAPACITANCE VALUES ARE IN MICROFARADS.
- 3-ALL INDUCTANCE VALUES ARE IN MICROHENRIES.
- 4-ALL TRANSISTORS ARE TYPE 2N3646.

"n" SYMBOL DENOTES FLAT SIGNIFYING PIN 8 ON NETWORK.

QTY / UNIT	MODEL USED ON	ASSY NO.
		A5794
APPLICATION		
CODE		
MATERIAL		
FINISH		

(REF PC826)

UNLESS OTHERWISE SPECIFIED DIMENSIONS ARE IN INCHES AND INCLUDE CHEMICALLY APPLIED OR PLATED FINISHES

TOLERANCES ON

DECIMALS	FRACTIONS
.X ± .05	± 1/64
.XX ± .01	ANGLES
.XXX ± .005	± 0°-30'

NOTICE TO PERSONS RECEIVING THIS DRAWING

THE TECHNICAL MATERIEL CORPORATION claims proprietary right in the material disclosed hereon. This drawing is issued in confidence for engineering information only and may not be reproduced or used to manufacture anything shown hereon without permission from THE TECHNICAL MATERIEL CORPORATION to the user. This drawing is loaned for mutual assistance and is subject to recall at any time.

QTY. REQ.	ITEM	PART NO.	DESCRIPTION	SYMBOL
O-POSE				
LIST OF MATERIAL				
THE TECHNICAL MATERIEL CORP. MAMARONECK, NEW YORK				
CARRIER GENERATOR SCHEMATIC DIAGRAM REFERENCE NO. 4079994-1				
SIZE		CODE IDENT. NO.	DWG NO.	ISSUE
D		82679	CK2242	Ø
SCALE				SHEET OF
				1