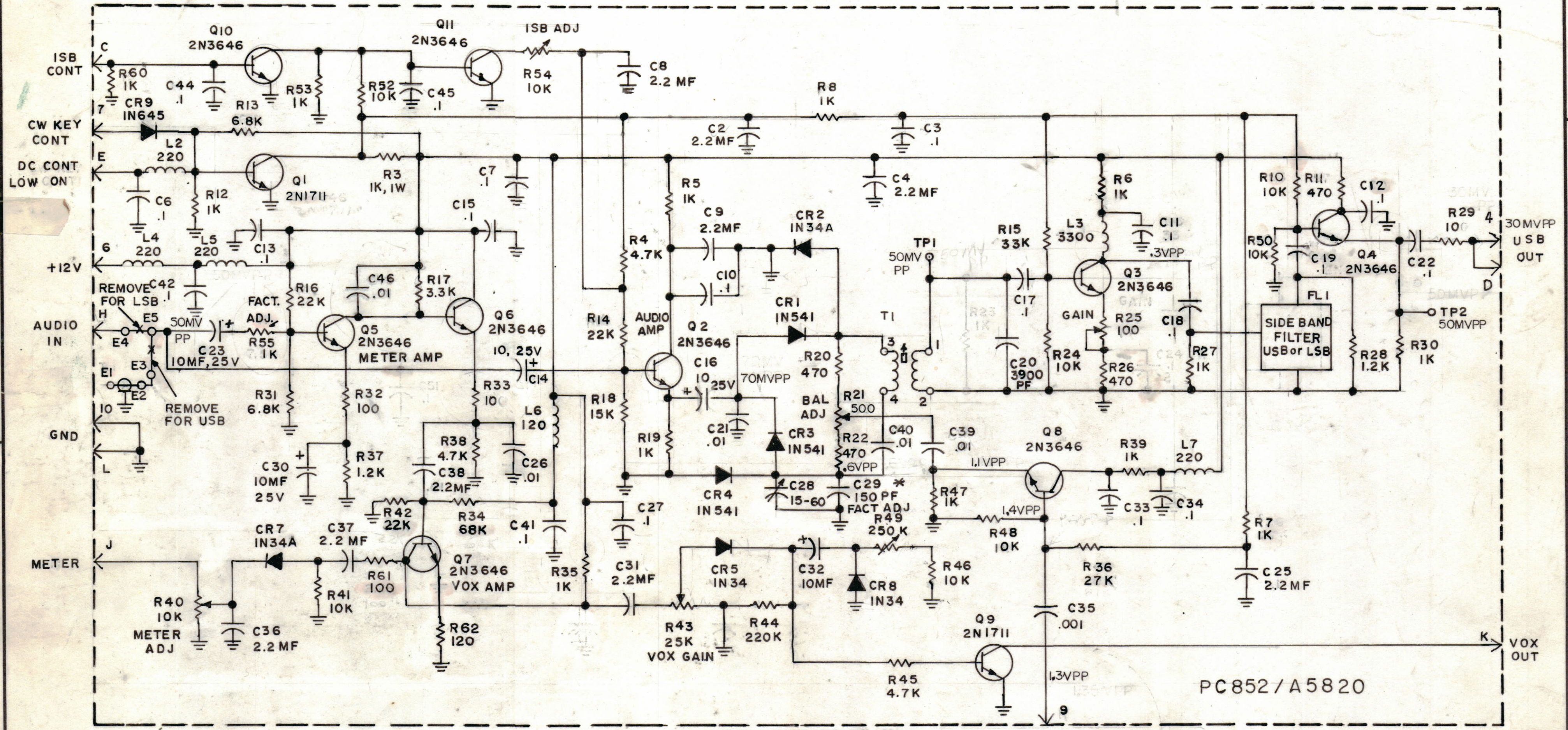


REVISIONS						
ZONE	LTR	DESCRIPTION	DATE	E.M.N.O	DRAFT	CHKD APPD
	X4	R55 WAS 7.5K, R56 WAS 10K, DEL. C42, R23	9-3-85		GDL	
	X4	R60 ADD. C25 WAS .1, R61 ADD ADD R62			PAJ	
	Ø	RELEASE FOR PRODUCTION	2-13-85		PAJ	
	A	R21 WAS 100, CR2 WAS IN541, R29 WAS 100	3-9-89		GDL	
	B	MISSING SYMBOLS REVISED	3-29-89		GDL	



UNLESS OTHERWISE SPECIFIED  
 1-ALL CAPACITANCE ARE IN UF  
 2-ALL INDUCTANCE ARE IN UH  
 3-ALL RESISTANCE ARE IN OHM, 1/4W

LAST SYMBOL  
 C46  
 CR9  
 L7  
 FL1  
 Q11  
 R62  
 T1

MISSING SYMBOL  
 C1, C53, C24, C43  
 L1  
 CR6  
 R1, R2, R9, R23, R30, R31, R32, R33, R34, R35, R36, R37, R38, R39, R40, R41, R42, R43, R44, R45, R46, R47, R48, R49, R50, R51, R52, R53, R54, R55, R56, R57, R58, R59

APPLICATION		
I	MMX-4	ASS'Y NO.
QTY / UNIT	MODEL USED ON	ASS'Y NO.
APPLICATION		
CODE		
NOTICE TO PERSONS RECEIVING THIS DRAWING		
THE TECHNICAL MATERIEL CORPORATION claims proprietary right in the material disclosed herein. This drawing is issued in confidence for engineering information only and may not be reproduced or used to manufacture anything shown herein without permission from THE TECHNICAL MATERIEL CORPORATION to the user. This drawing is loaned for mutual assistance and is subject to recall at any time.		

QTY. REQ.	ITEM	PART NO.	DESCRIPTION	SYMBOL
LIST OF MATERIAL				
THE TECHNICAL MATERIEL CORP. MAMARONECK, NEW YORK				
SCHEMATIC, DIAGRAM SIDE BAND GENERATOR USB OR LSB				
FINAL APPROVAL		DATE		
MECH. DES.		DATE		
ELECT. DES.		DATE		
CHECKED		DATE		
DRAWN		DATE		
MATERIAL		DATE		
FINISH		DATE		
SIZE	CODE IDENT. NO.	DWG NO.	ISSUE	
C	82679	CK 2261	A	
SCALE	SHEET			OF