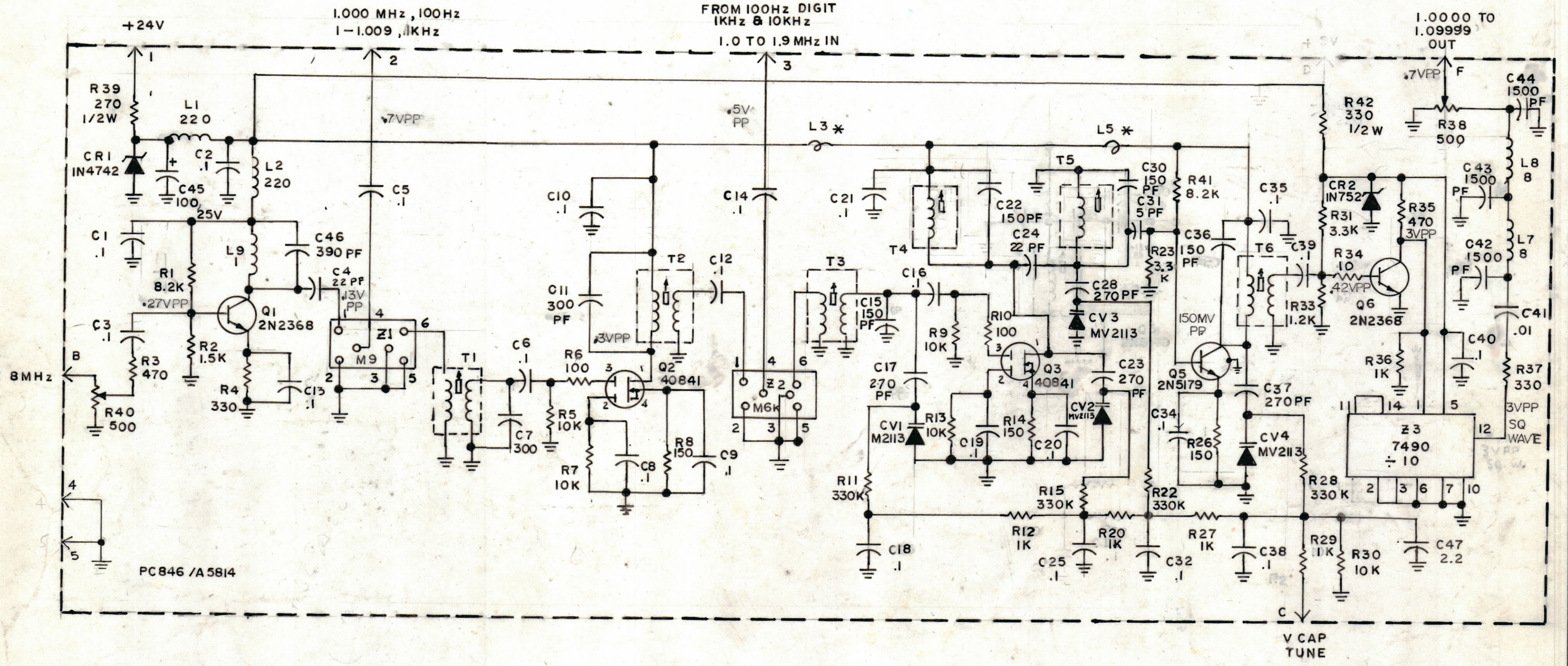


REVISIONS						
ZONE	LTR	DESCRIPTION	DATE	E.M.N.NO	DRAFT	CHKD APPD
	X6	C47 & CHART ADD	7-25-85		GDL	
	Ø	RELEASE FOR PRODUCTION	1-28-86		RAJ	
	A	L6 DEL. R42 & CR2A00-PIN "D" DISC.	3-7-89		GDL	



UNLESS OTHERWISE SPECIFIED
 1- ALL RESISTANCES ARE IN OHMS, 1/4W.
 2- ALL CAPACITANCES ARE IN UFD.
 3- ALL INDUCTANCES ARE IN UH
 * DENOTE FERRITE BEAD
 ** INIAL TUNING

LAST SYMBOL
 C47
 L9
 Q6
 CR1
 CV4
 R42
 T6
 Z3

MISSING SYMBOL
 C26 - C29, C35
 R16 - R21, R24, R25
 R32, R34
 L4, L6
 Q4

FREQ. DIGIT	FREQ. MHZ	TUNING V PIN C
0	10	0.3 **
1	11	0.5
2	12	0.8
3	13	1.0
4	14	1.5
5	15	1.9
6	16	2.5
7	17	3.3
8	18	4.0
9	19	5.2

MMX-4		
QTY / UNIT	MODEL USED ON	ASS'Y NO.
APPLICATION		
CODE		

NOTICE TO PERSONS RECEIVING THIS DRAWING
 THE TECHNICAL MATERIEL CORPORATION claims proprietary right in the material disclosed hereon. This drawing is issued in confidence for engineering information only and may not be reproduced or used to manufacture anything shown hereon without permission from THE TECHNICAL MATERIEL CORPORATION to the user. This drawing is loaned for mutual assistance and is subject to recall at any time.

UNLESS OTHERWISE SPECIFIED DIMENSIONS ARE IN INCHES AND INCLUDE CHEMICALLY APPLIED OR PLATED FINISHES

TOLERANCES ON
 DECIMALS
 .X ± .05
 .XX ± .01
 .XXX ± .005

FRACTIONS
 ± 1/64
 ANGLES
 ± 0° -30'

MATERIAL

FINISH

QTY. REQ.	ITEM	PART NO.	DESCRIPTION	SYMBOL
LIST OF MATERIAL				
FINAL APPROVAL				
MECH. DES.				
ELECT. DES.				
CHECKED				
DRAWN				
THE TECHNICAL MATERIEL CORP. MAMARONECK, NEW YORK				
DIAGRAM SCHEMATIC 100kHz, 1kHz, 10kHz SYNTH				
SIZE	CODE IDENT. NO.	DWG NO.	ISSUE	
C	82679	CK2275	A	
SCALE				SHEET OF