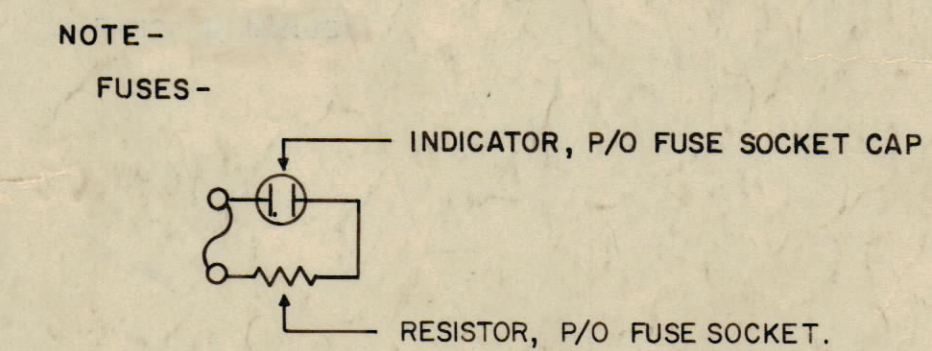
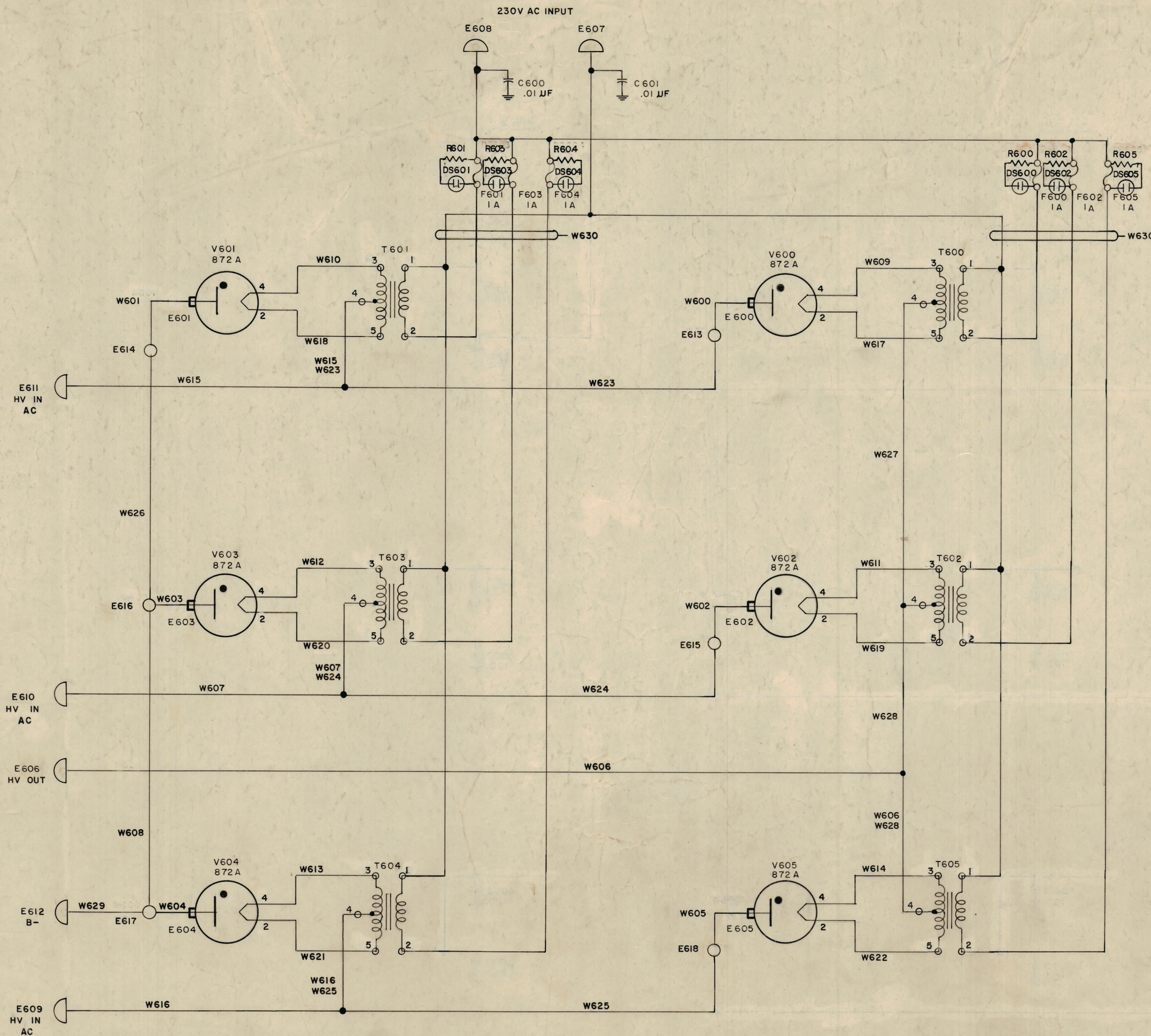


IF IT IS FOUND DESIRABLE TO CHANGE ANY TOLERANCE OR OTHER DETAIL SPECIFIED ON THIS DRAWING NOTIFY THE PURCHASER PROMPTLY.
 MAXIMUM ALLOWABLE TOLERANCES HAVE BEEN DETERMINED AND DEVIATIONS WILL BE CAUSE FOR REJECTION. REMOVE ALL BURRS AND SHARP EDGES

NOTICE TO PERSONS RECEIVING THIS DRAWING

THE TECHNICAL MATERIEL CORPORATION claims proprietary right in the material disclosed herein. This drawing is issued in confidence for engineering information only and may not be reproduced or used to manufacture anything of our design without permission from THE TECHNICAL MATERIEL CORPORATION to the user. This drawing is loaned for mutual assistance and is subject to recall at any time.

Property of:
 THE TECHNICAL MATERIEL CORPORATION
 MAMARONECK, NEW YORK



LAST SYMBOLS

- C601
- DS605
- E618
- F605
- R605
- T605
- V605
- W630

F	ON T600, 601, 602, 603, 604, 605, REVISED FUSE CONFIG	7/1/63	1443	JCB			
E	2 LAST SYMB. REVISED PICT. UPDATED SCHEMATIC	99.64	12259	JCB			
D	1 C601 THRU C613 Deleted	6/15/60	2439	J.C.B.			
C	2 W605 TO LAST SYMB. CAL. ADD W600 THRU W605 ADDED TO E 600 THRU E 605	1/19/60	2298	JCB			
B	1 RESISTOR AND IND. ADDED TO FUSE	4-29-59	938	JCB			
A	1 MODEL WAS AA-103	3/20/51	880	JCB			
ISSUE	ITEM	CHANGED FROM	DATE	CN. NO.	DRAFTS	CHECKER	ENG. APP.
TOLERANCES		SCALE:					
ALL OTHERS	DEC. DIM. ± FRAC. DIM. ± ANGULAR DIM. ±	DRILL, PUNCH, COMMERCIAL STOCK SIZES AND MANUFACTURERS TOLERANCES ARE NOT INCLUDED.					

1	GPT-10K	AX-103	3-9-59
REQ PER UNIT	MODEL	PROJECT NO.	DATE
USED ON			

REQ. ITEM	PART NO.	DESCRIPTION	SYMBOL
THE TECHNICAL MATERIEL CORP. MAMARONECK, NEW YORK			
SCHEMATIC DIAGRAM			
STOCK SIZE		AX-103	
MATERIAL	WEIGHT PER PC.	DRAWN	
TYPE & TEMPER.		ELEC. DES. APP.	MECH. DES. APP.
HEAT TREAT. SPEC.		FINAL APPROVAL	
FINISH & SPEC. NO.		C-K-391	F

CK 391 F

Return to 53%