

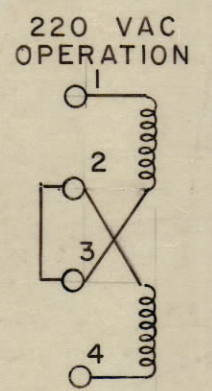
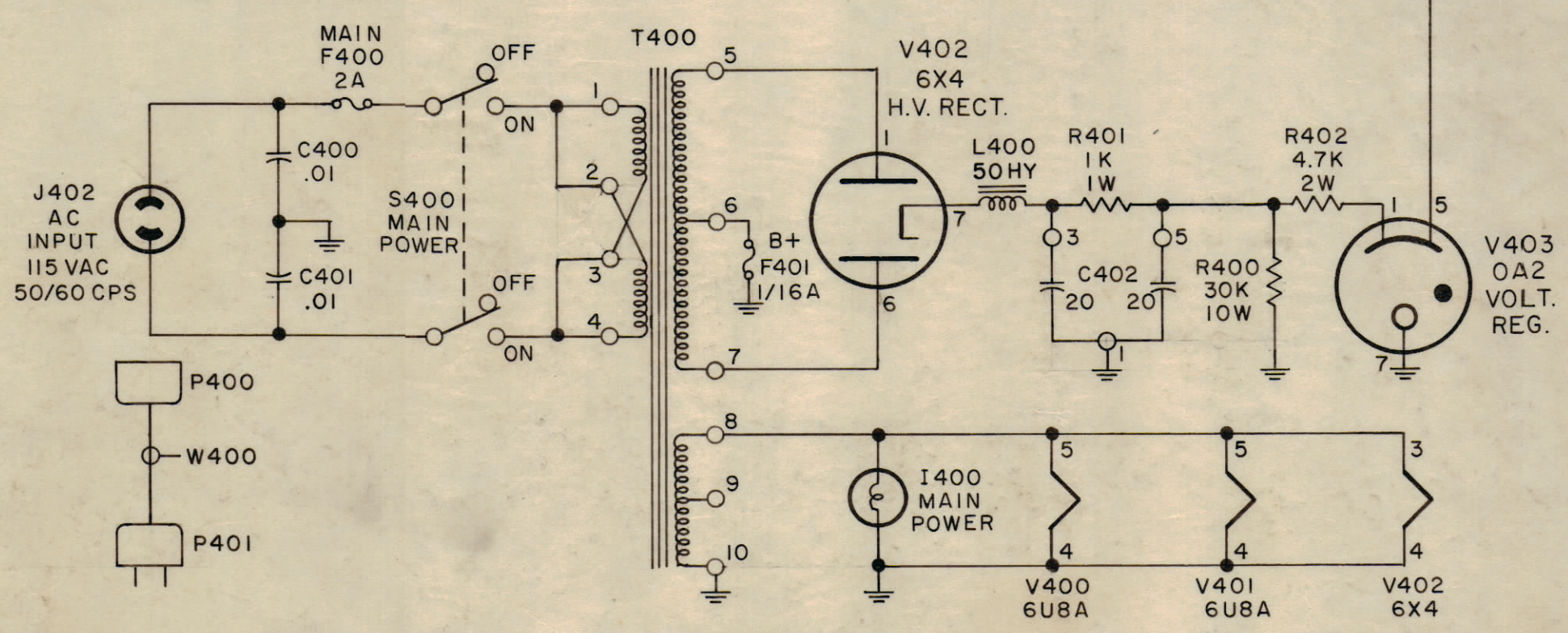
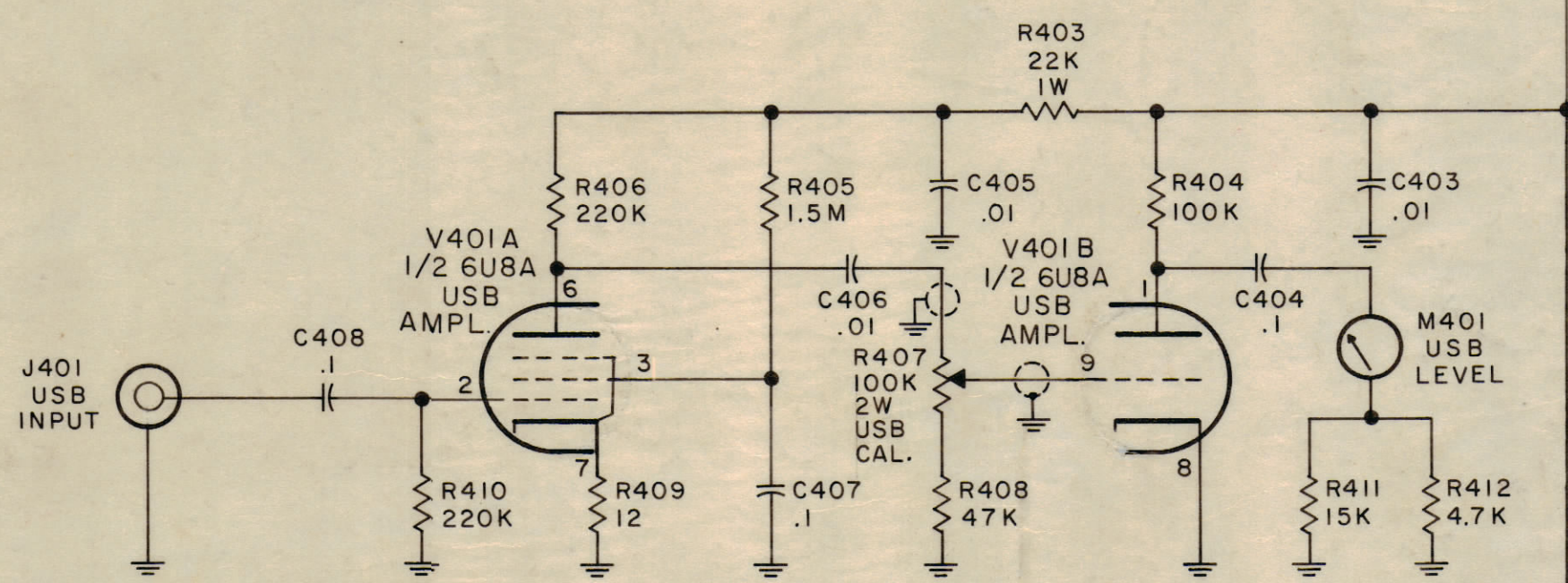
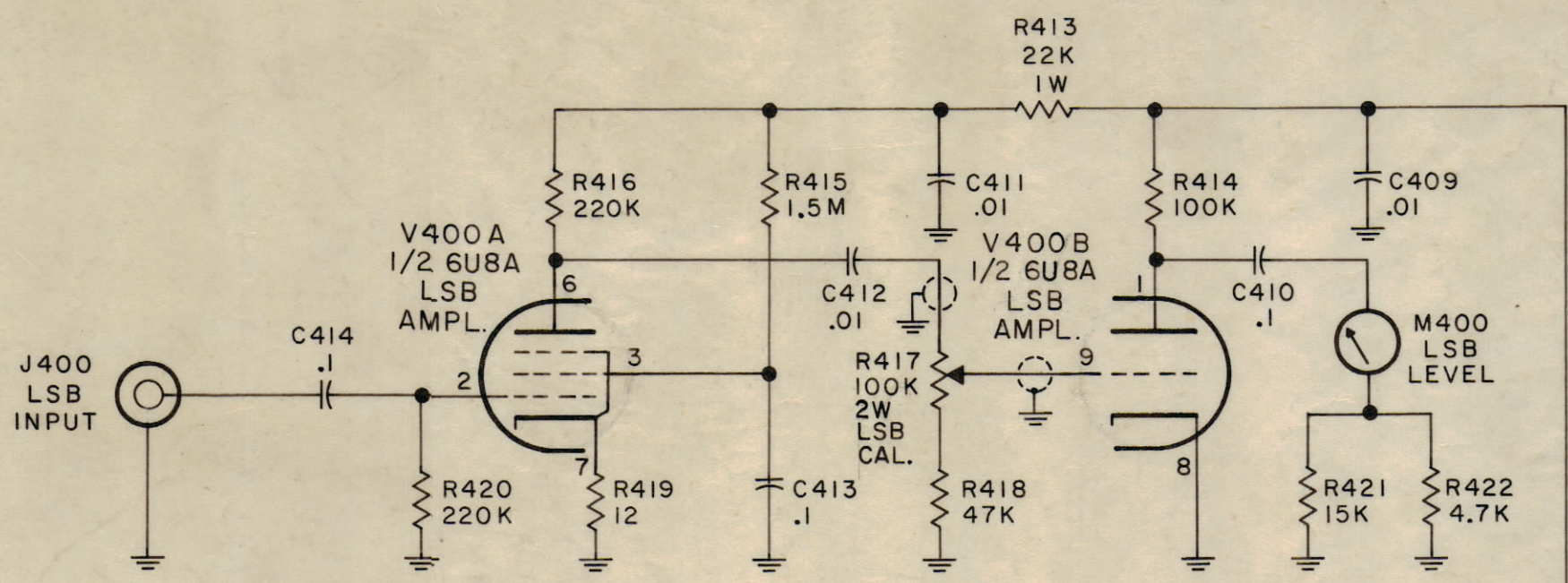
IF IT IS FOUND DESIRABLE TO CHANGE ANY TOLERANCE OR OTHER DETAIL SPECIFIED ON THIS DRAWING NOTIFY THE PURCHASER PROMPTLY.

MAXIMUM ALLOWABLE TOLERANCES HAVE BEEN DETERMINED AND DEVIATIONS WILL BE CAUSE FOR REJECTION. REMOVE ALL BURRS AND SHARP EDGES.

NOTICE TO PERSONS RECEIVING THIS DRAWING

THE TECHNICAL MATERIEL CORPORATION claims proprietary right in the material disclosed herein. This drawing is issued in confidence for engineering information only and may not be reproduced or used to manufacture anything shown hereon without permission from THE TECHNICAL MATERIEL CORPORATION to the user. This drawing is loaned for mutual assistance and is subject to recall at any time.

Property of:
THE TECHNICAL MATERIEL CORPORATION
MAMARONECK, NEW YORK



NOTE:
FOR 220 VAC OPERATION
CHANGE F400 TO 1A

NOTES:
1. ALL CAPACITORS ARE IN MFDS.
2. ALL RESISTORS ARE 1/2 WATT,
UNLESS OTHERWISE SPECIFIED.

LAST SYMBOLS-
C414
F401
I400
J402
L400
M401
P401
R422
S400
T400
V403
W400

CK-393 A

A	1	T400 PRIMARY WIRING CLARIFIED. (ERRATA)	3/4/59	853	16	RWB	AMB
ISSUE	ITEM	CHANGED FROM	DATE	CH. NO.	DRAFTS	CHECKER	ENG. APP.
TOLERANCES			SCALE:				
ALL OTHERS	DEC. DIM. ±	DRILL, PUNCH, COMMERCIAL STOCK SIZES AND MANUFACTURERS TOLERANCES ARE NOT INCLUDED.					
	FRAC. DIM. ±						
	ANGULAR DIM. ±						

1	SLM	P/O GPT-10K	3-9-59
REQ. PER UNIT	MODEL	PROJECT NO.	ASSY. NO.
USED ON			

REQ. ITEM	PART NO.	DESCRIPTION	SYMBOL
THE TECHNICAL MATERIEL CORP. MAMARONECK, NEW YORK			
STOCK SIZE			
SCHEMATIC DIAGRAM,			
MATERIAL WEIGHT PER PC. SIDE BAND LEVEL MONITOR			
		162/20/59	RWB
TYPE & TEMPER		DRAWN	ELEC. DES. APP. MECH. DES. APP.
		AMB	AMB
HEAT TREAT. SPEC.		CHECKED	FINAL APPROVAL
			CK-393 A
FINISH & SPEC. NO.			