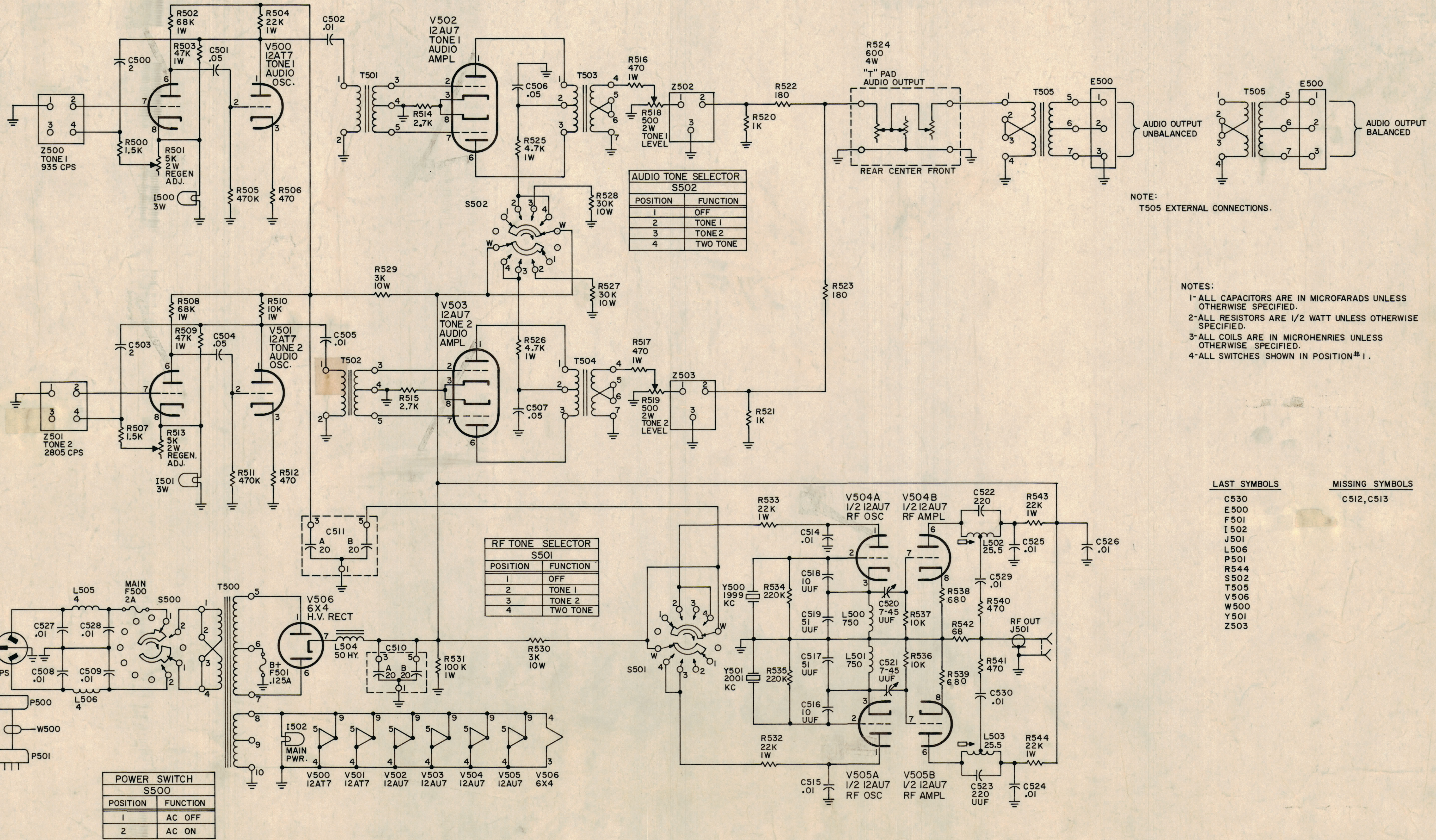


NOTICE TO PERSONS RECEIVING THIS DRAWING
 THE TECHNICAL MATERIEL CORPORATION claims
 proprietary right in the material disclosed herein.
 This drawing is issued in confidence for engineering
 information only and may not be reproduced or used
 in manufacture anything shown herein without the
 written permission of THE TECHNICAL MATERIEL CORPORATION,
 1001 Broadway, New York 10019. This drawing is loaned for mutual
 assistance and is so far to recall at any time.
 Property of:
 THE TECHNICAL MATERIEL CORPORATION
 MAMARONECK, NEW YORK



AUDIO TONE SELECTOR S502

POSITION	FUNCTION
1	OFF
2	TONE 1
3	TONE 2
4	TWO TONE

RF TONE SELECTOR S501

POSITION	FUNCTION
1	OFF
2	TONE 1
3	TONE 2
4	TWO TONE

POWER SWITCH S500

POSITION	FUNCTION
1	AC OFF
2	AC ON

NOTE:
T505 EXTERNAL CONNECTIONS.

NOTES:
 1- ALL CAPACITORS ARE IN MICROFARADS UNLESS OTHERWISE SPECIFIED.
 2- ALL RESISTORS ARE 1/2 WATT UNLESS OTHERWISE SPECIFIED.
 3- ALL COILS ARE IN MICROHENRIES UNLESS OTHERWISE SPECIFIED.
 4- ALL SWITCHES SHOWN IN POSITION #1.

LAST SYMBOLS	MISSING SYMBOLS
C530	C512, C513
E500	
F501	
I502	
J501	
L506	
P501	
R544	
S502	
T505	
V506	
W500	
Y501	
Z503	

D	J500 & P501 WERE TWO CONTACT	4-13-61	18099	LMG			
C	R538 & R539 WAS 2.2K	4-13-61	18099	LMG			
B	R538 & R539 WERE 22K	5-16-61	18099	LMG			
A	REF ON R501 & R513 VALUE WAS 2.5K	7-18-61	5294	MMR			
	REF ON R502 & R507 VALUE WAS 1K						
SYM	ZONE	DESCRIPTION	DATE	CH. NO.	DRAFTS	CHECKER	ENG. APP.

UNLESS OTHERWISE SPECIFIED:
 DIMENSIONS ARE IN INCHES
 TOLERANCES ON FRACTIONS ± 1/64 DECIMALS ± .005 ANGLES ± 1/2°

MAXIMUM ALLOWABLE TOLERANCES HAVE BEEN DETERMINED AND ANY DEVIATIONS WILL BE CAUSE FOR REJECTION. REMOVE ALL BURRS & SHARP EDGES

REQ. PER UNIT	MODEL	SECTION	ASSY. NO.	DATE	FINISH & SPEC. NO.	ELEC. DES. APP.	MECH. DES. APP.	SHEET	OF
	TTG-2			5-18-61				CK-499	D

DEFIANCE NO. 1000 24412