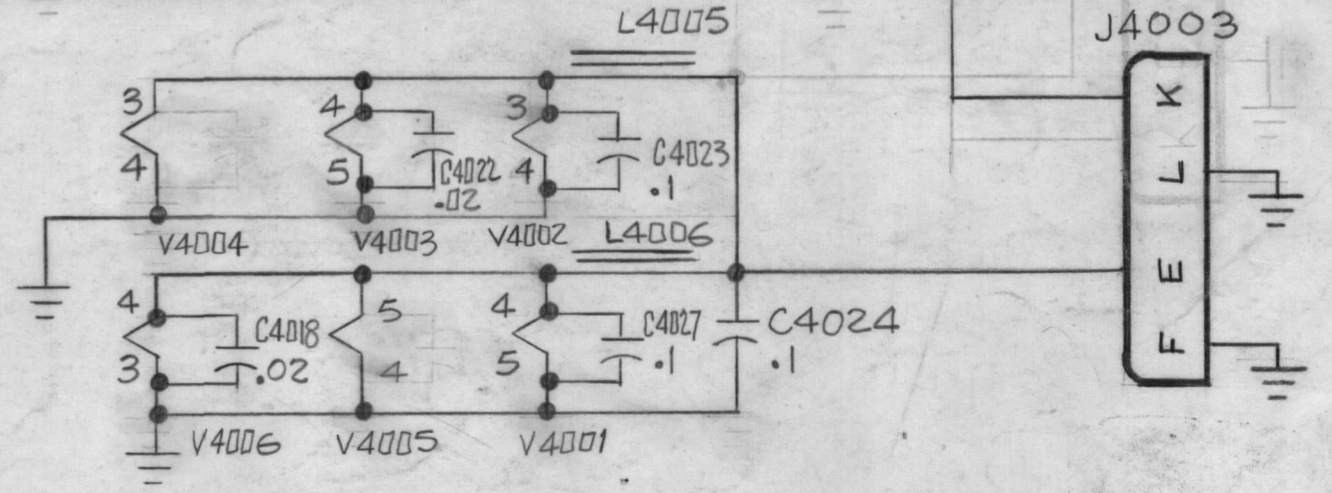


S4001 SHOWN IN "OFF" POSITION
 UNLESS OTHERWISE SPECIFIED:
 ALL RESISTORS ARE IN OHMS 1/2 WATT
 ALL CAPACITORS ARE IN MICROFARADS

LAST SYM.	MISSING SYM
R4029	R4007
C4027	R4008
L4006	C4010
T4005	
V4006	
J4003	
S4001	
Z4001	



SYM	ZONE	DESCRIPTION	DATE	CH. NO.	DRAFTS	CHECKER	ENG. APP.
A	G5	Z4001 COMPLETELY REDRAWN	1-23-63	8035			

UNLESS OTHERWISE SPECIFIED:
 DIMENSIONS ARE IN INCHES
 TOLERANCES ON FRACTIONS ± 1/64 DECIMALS ± .005 ANGLES ± 1/2°

SCALE
 MAXIMUM ALLOWABLE TOLERANCES HAVE BEEN DETERMINED AND ANY DEVIATIONS WILL BE CAUSE FOR REJECTION. REMOVE ALL BURRS & SHARP EDGES

REQ. PER UNIT	MODEL	SECTION	ASS'Y. NO.	DATE
	HNF-1			7-26-62

REQ. ITEM	PART NO.	DESCRIPTION	SYMBOL
GELLMAN			
THE TECHNICAL MATERIEL CORP. MAMARONECK, NEW YORK			
STOCK SIZE			
DIAGRAM, SCHEMATIC (HNF-1)			
MATERIAL			
DRAWN		CHECKED	
RUIZZO		BP	
TYPE & TEMPER		HEAT TREAT. SPEC.	
FINISH & SPEC. NO.		ELEC. DES. APP. MECH. DES. APP.	
		SHEET OF	
		CK-575 A	