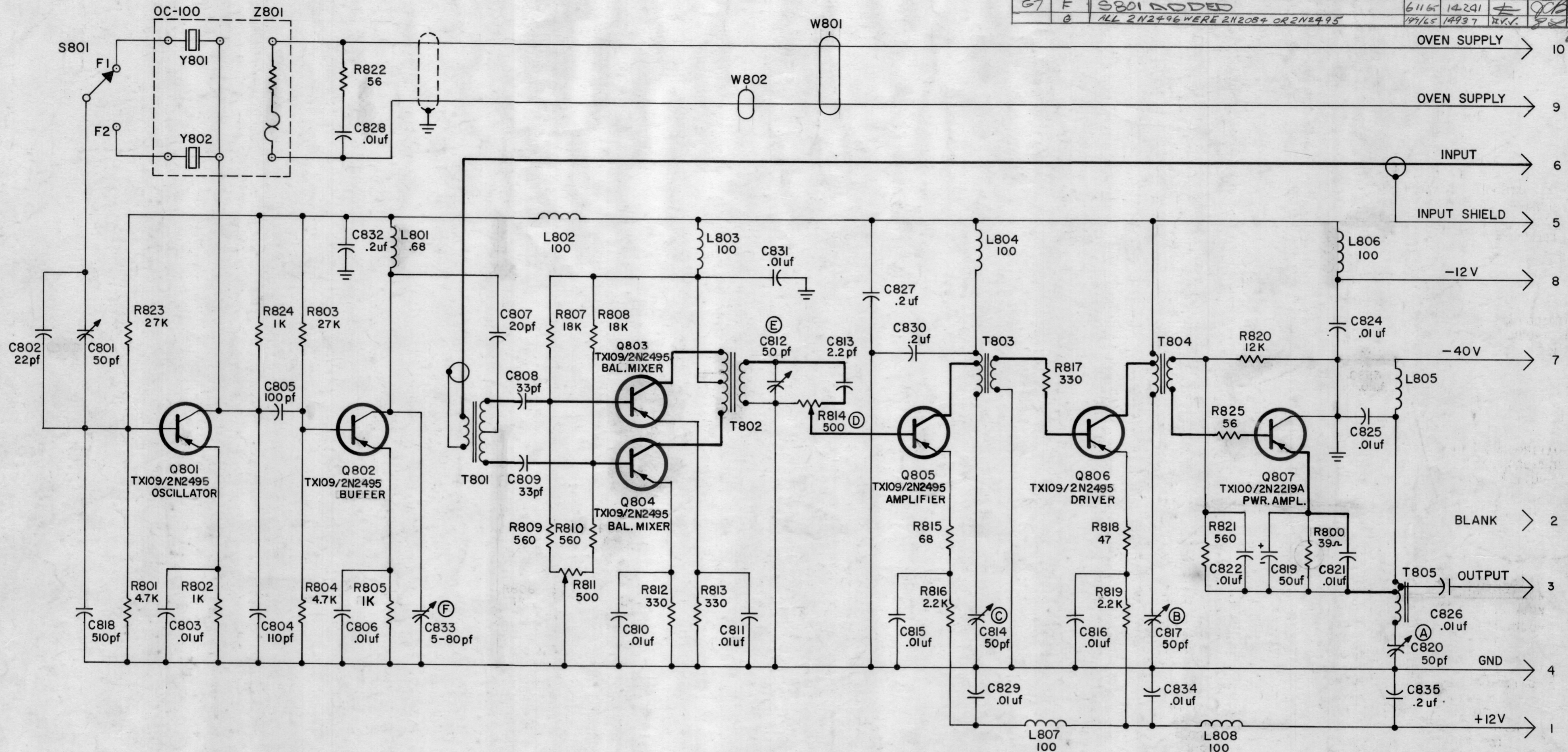


REVISIONS						
SYM	DESCRIPTION	DATE	E.M.N. NO.	DRAFT	CHKD	APPD
H	CHG. TX104 TO TX109. 2N2495 WAS 2N2496	12/65	15082	H.V.V.		
J	ON R805 1K WAS 220	7-7-66	16508	DB		

REVISIONS							
ZONE	SYM	DESCRIPTION	DATE	E.M.N. NO.	DRAFT	CHKD	APPD
-	A	ON T802 CENTER TAP RELOCATED, Q805 & Q806 WAS 2N2084, R800 WAS RT801, C823 DELETED, POLARITY ADDED TO C819	6-4-64	11491	A.M.		
G4	B	W801 & W802 SYMBOLS ADDED	7-14-64	11808	h.B.		
G6, E6, D2	C	SYMB. Z801 ADD., LAST SYMB. UPDATED. Q802 WAS "DOUBLER", Q807 WAS TX100	9-16-64	12332	h.B.		
E2, D1	D	ON PICT. ON R825 "56" WAS "120", OUTPUT 3 RELOC. ON T805	10-22-64	12734	P.F.		
	E	PICT: ON Q805 & 806 "TX104" ADD; ON Q801, 802, 803, & 804 "TX109" ADD; ON Q807 "TX100" ADD; R806 & CONN. DELE; R805 VAL. WAS 1K; R806 ADD. TO MFGS. SYM. CHART.	12-5-65	13332	91		
G7	F	S801 ADDED	6-11-65	14241			
G	G	ALL 2N2496 WERE 2N2084 OR 2N2495	1/9/65	14937	H.V.V.		



CK-692

LAST SYMBOLS	MISSING SYMBOLS	UNLESS OTHERWISE SPECIFIED
C835 L808 Q807 R825 S801 T805 W802 Y802 Z801	R806	1. ALL RESISTORS 1/2 WATT 2. ALL RESISTANCE VALUES IN OHMS (K=1000) 3. ALL INDUCTANCE VALUES IN uh
NOTES		

REQ'D.	ITEM	PART NUMBER	DESCRIPTION	SYMBOL
PALMER LIST OF MATERIAL				
MATERIAL		THE TECHNICAL MATERIEL CORP.		
FINISH		MAMARONECK, NEW YORK		
DIAGRAM, SCHEMATIC, TRANSMITTER CONVERTER				
TTRT-4 16-32 MC				
UNLESS OTHERWISE SPECIFIED	DRAWN	DATE	FINAL APPROVAL	DATE
DIMENSIONS ARE IN INCHES AND INCLUDE	<i>[Signature]</i>	12-4-63	<i>[Signature]</i>	
CHEMICALLY APPLIED OR PLATED FINISHES	CHECKED	DATE		
	<i>[Signature]</i>	1/31/64		
DECIMALS	ELECT. DES.	DATE	CK-692	
.X ± .05	<i>[Signature]</i>	1/31/64		
.XX ± .01	MECH. DES.	DATE	SHEET	REV. LTR.
.XXX ± .005				