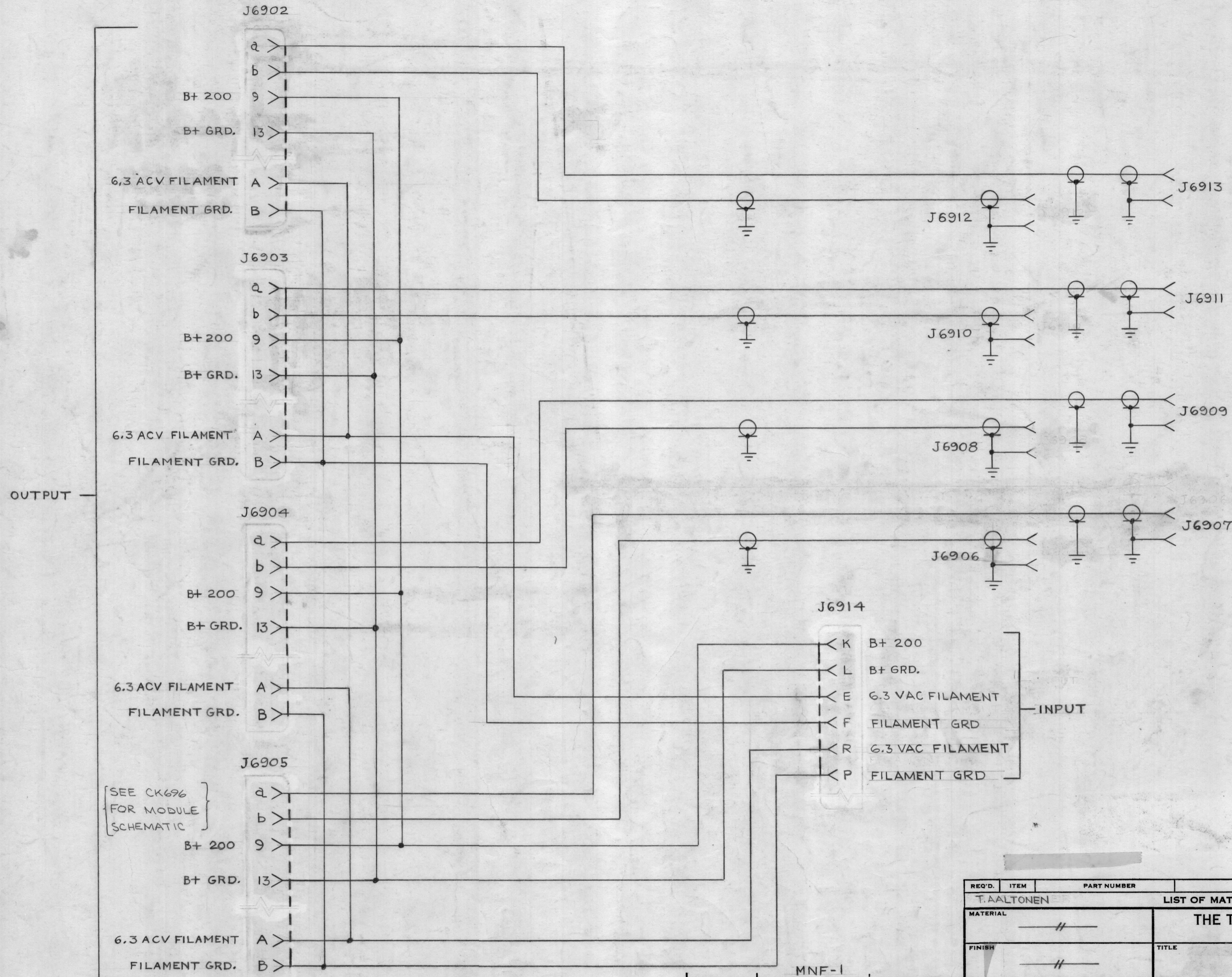


REVISIONS					
ZONE	SYM	DESCRIPTION	DATE	E.M.N. NO.	APPD
	Ø	ORIGINAL RELEASE FOR PRODUCTION	5/3/64	#	A.M. JRC
	A	ADDED "SEE CK 696" NOTE TO J6905	12/5/67	17736	RME JCS



{ SEE CK696
FOR MODULE
SCHEMATIC }

CK-698
A

Q'TY./UNIT	MODEL USED ON	ASS'Y. NO.
SCALE	CODE	
	A	

THE CONTENTS OF THIS DRAWING ARE THE EXCLUSIVE PROPERTY OF THE TECHNICAL MATERIEL CORP. ITS UNAUTHORIZED USE OR REPRODUCTION IN WHOLE OR IN PART IS STRICTLY FORBIDDEN.

NOTES

REQ'D.	ITEM	PART NUMBER	DESCRIPTION	SYMBOL
T. AALTONEN LIST OF MATERIAL				
MATERIAL		THE TECHNICAL MATERIEL CORP.		
FINISH		MAMARONECK, NEW YORK		
		TITLE		
		DIAGRAM, SCHEMATIC		
		MAIN CHASSIS		
UNLESS OTHERWISE SPECIFIED DIMENSIONS ARE IN INCHES AND INCLUDE CHEMICALLY APPLIED OR PLATED FINISHES		DRAWN	DATE	FINAL APPROVAL
DECIMALS		10/25/63		
FRACTIONS		2-15-64		
TOLERANCES		DATE		
.X ± .05		12/5/67		
.XX ± .01		DATE		
.XXX ± .005		12/5/67		
ANGLES		DATE		
± 1/64		12/5/67		
± 0° 30'		DATE		
		DATE		
		DATE		

CK-698
A