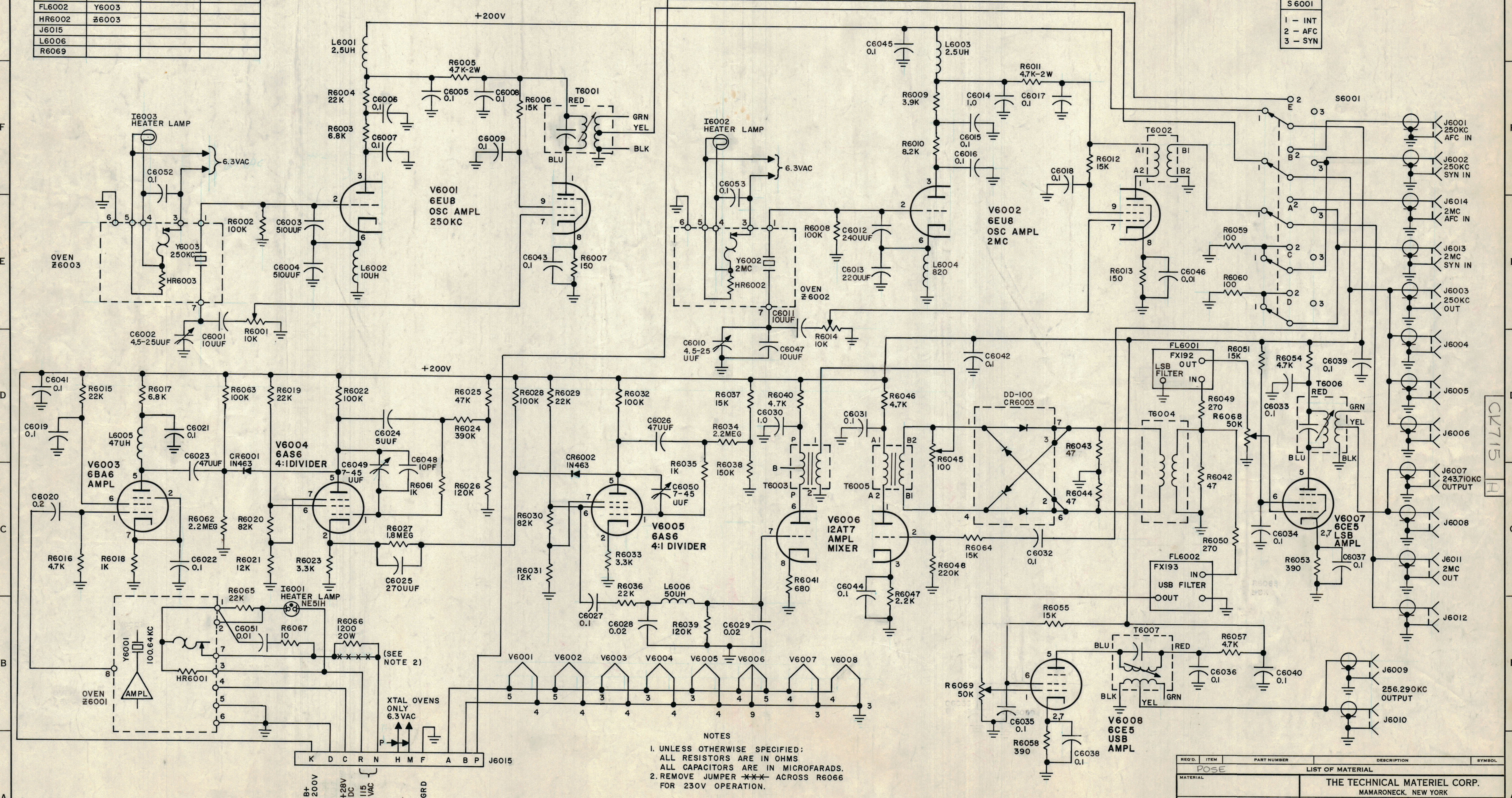


REVISIONS		DATE	E.M.N. NO.	DRAFT	CHKD.	APPD.
G	REDRAWN (NO CHANGES)	7/19/65	19508	JV	QJ	
H	REVISED & UPDATED	6/26/69	19488	GE	272	OP

LAST SYMBOLS	MISSING SYMBOLS
C6053	S6001
CR6003	T6007
I6003	V6008
FL6002	Y6003
HR6002	Z6003
J6015	
L6006	
R6069	

S 6001
1 - INT
2 - AFC
3 - SYN



NOTES
 1. UNLESS OTHERWISE SPECIFIED:
 ALL RESISTORS ARE IN OHMS
 ALL CAPACITORS ARE IN MICROFARADS.
 2. REMOVE JUMPER *** ACROSS R6066
 FOR 230V OPERATION.

CK715 H

REQ'D.	ITEM	PART NUMBER	DESCRIPTION	SYMBOL
POSE LIST OF MATERIAL				
MATERIAL				
FINISH				
TITLE				
THE TECHNICAL MATERIEL CORP. MAMARONECK, NEW YORK				
SCHEMATIC DIAGRAM				
UNLESS OTHERWISE SPECIFIED DIMENSIONS ARE IN INCHES AND INCLUDE CHEMICALLY APPLIED OR PLATED FINISHES				
QTY/UNIT	SCALE	MODEL USED ON	CODE	ASBY. NO.
DRAWN NIDA				
CHECKED QJ				
DATE 7/19/65				
FINAL APPROVAL				
DATE 7/19/65				
ELECT. DES. CK715				
DATE				
MECH. DES.				
DATE				
SHEET				
REV. LTR.				

MCG-1	
QTY/UNIT	ASBY. NO.
SCALE	CODE
THE CONTENTS OF THIS DRAWING ARE THE EXCLUSIVE PROPERTY OF THE TECHNICAL MATERIEL CORP. ITS UNAUTHORIZED USE OR REPRODUCTION IN WHOLE OR IN PART IS STRICTLY FORBIDDEN.	
DECIMALS ±.05 .XX ±.01 .XXX ±.005	FRACTIONS ± 1/64 ANGLES ± 0° 30'

NOTES