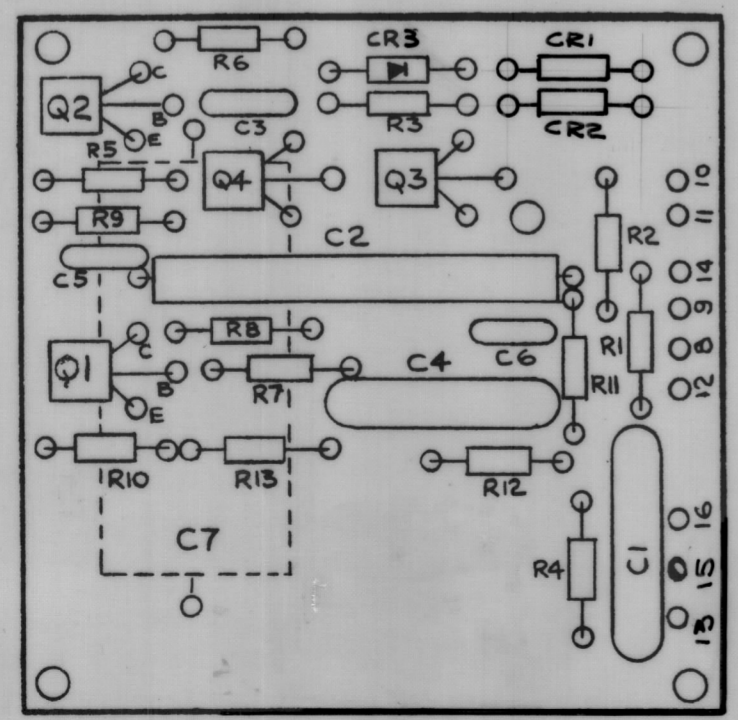
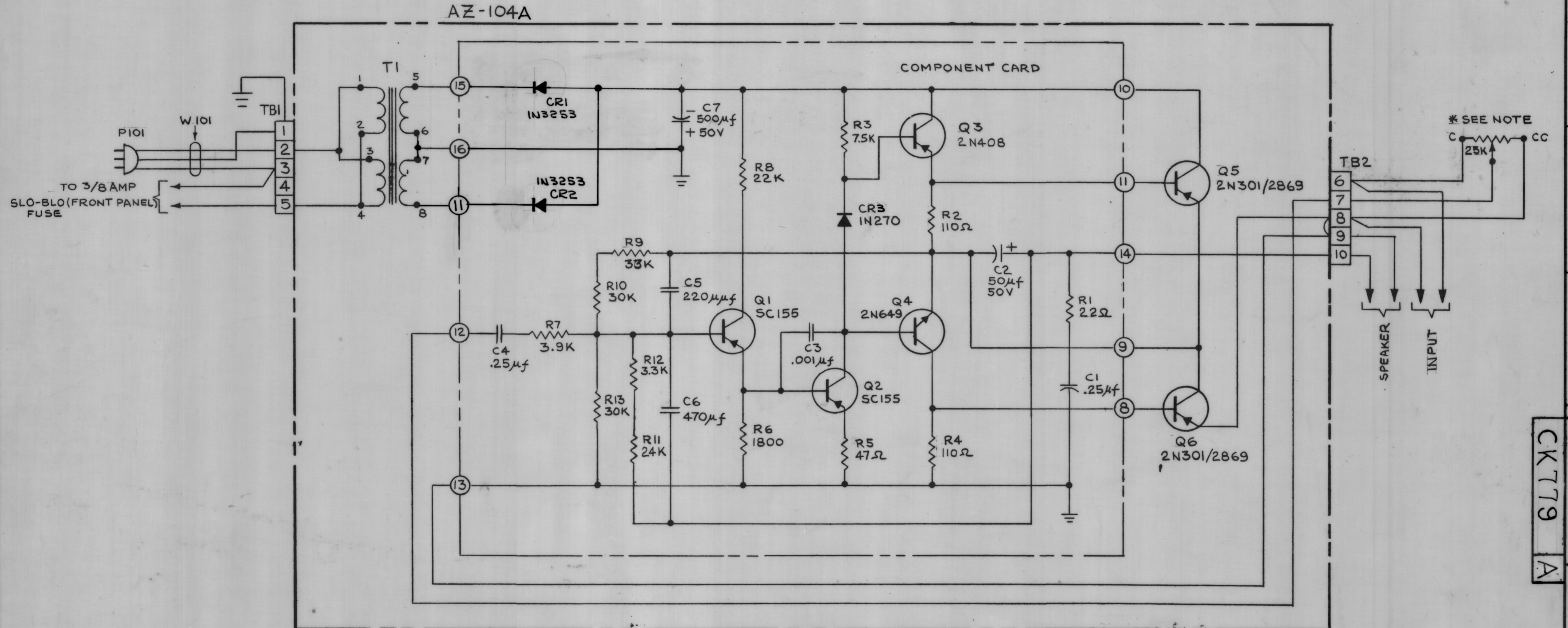


REVISIONS						
ZONE	SYM	DESCRIPTION	DATE	E.M.N. NO.	DRAFT	CHKD
X		EXPERIMENTAL RELEASE	8-10-64	X		
Ø		ORIGINAL RELEASE FOR PRODUCTION	8-19-64			
A		CLERICAL CHG.	5-18-66	CC	Change	JL



COMPONENT CARD LAYOUT

* NOTE: SEE BSP SCHEMATIC FOR REF SYMBOL
 ALL RESISTORS ARE ± 5%

NOTES

BSPIC 2C,3C	
QTY./UNIT	MODEL USED ON
SCALE	CODE
	A
THE CONTENTS OF THIS DRAWING ARE THE EXCLUSIVE PROPERTY OF THE TECHNICAL MATERIEL CORP. ITS UNAUTHORIZED USE OR REPRODUCTION IN WHOLE OR IN PART IS STRICTLY FORBIDDEN.	

REQ'D.	ITEM	PART NUMBER	DESCRIPTION	SYMBOL
HAY LIST OF MATERIAL				
MATERIAL			THE TECHNICAL MATERIEL CORP. MAMARONECK, NEW YORK	
FINISH			TITLE	
			SCHEMATIC DIAGRAM & COMPONENT CARD LAYOUT (AZ104A)	
UNLESS OTHERWISE SPECIFIED DIMENSIONS ARE IN INCHES AND INCLUDE CHEMICALLY APPLIED OR PLATED FINISHES		DRAWN	DATE	FINAL APPROVAL
DECIMALS		FILE	8-10-64	
TOLERANCES		CHECKED	DATE	
.X ± .05		FILE	8-10-64	
.XX ± .01		ELECT. DES.	DATE	
.XXX ± .005		MECH. DES.	DATE	
CK779				A
SHEET				REV. LTR.

CK779
A