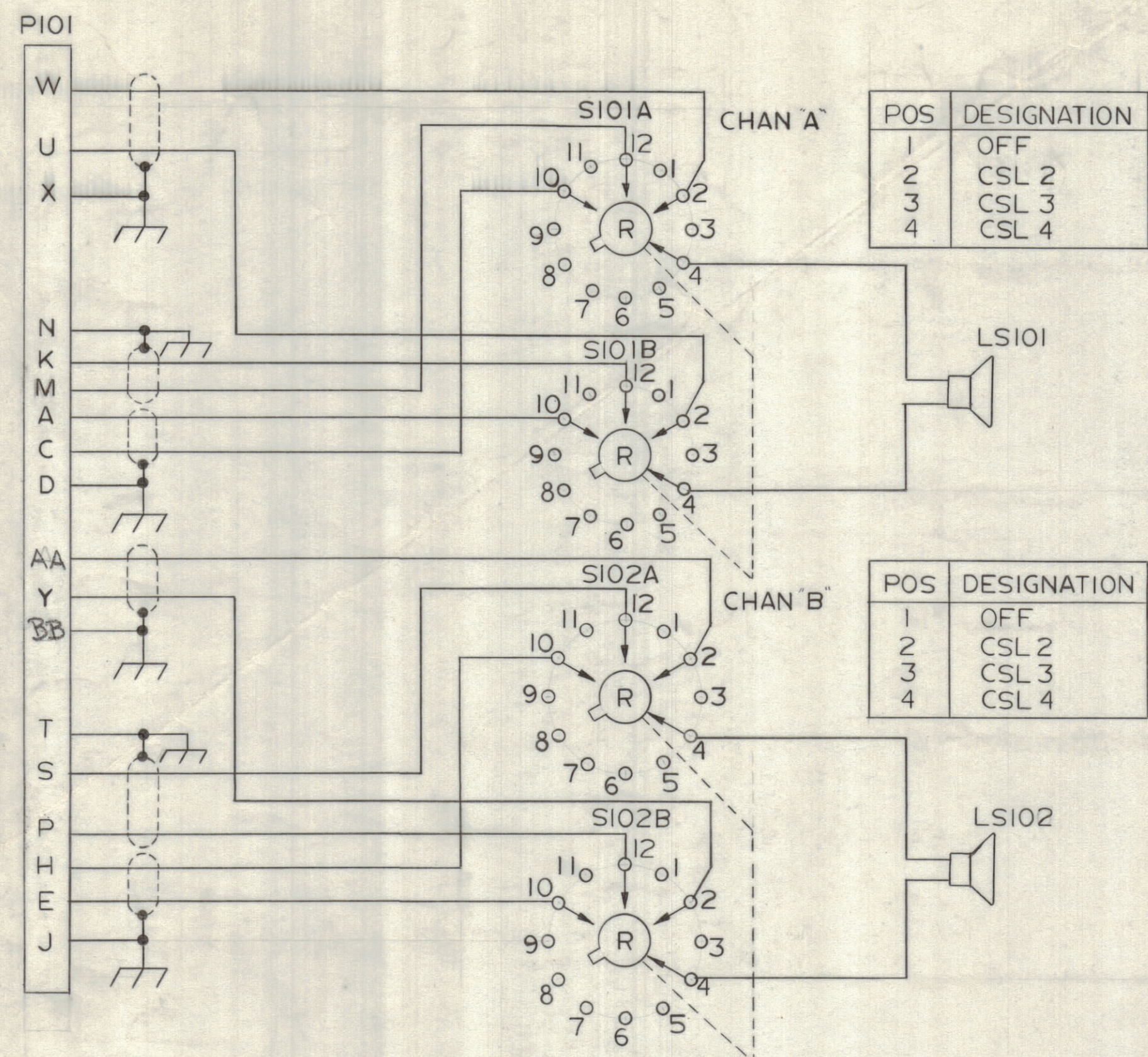


ZONE		LTR		DESCRIPTION		DATE		E.M.N.NO		DRAFT		CHKD		APPD	
A		A		PI01 AA WAS A BB WAS B		5/2/68		7		CDD					



POS	DESIGNATION
1	OFF
2	CSL 2
3	CSL 3
4	CSL 4

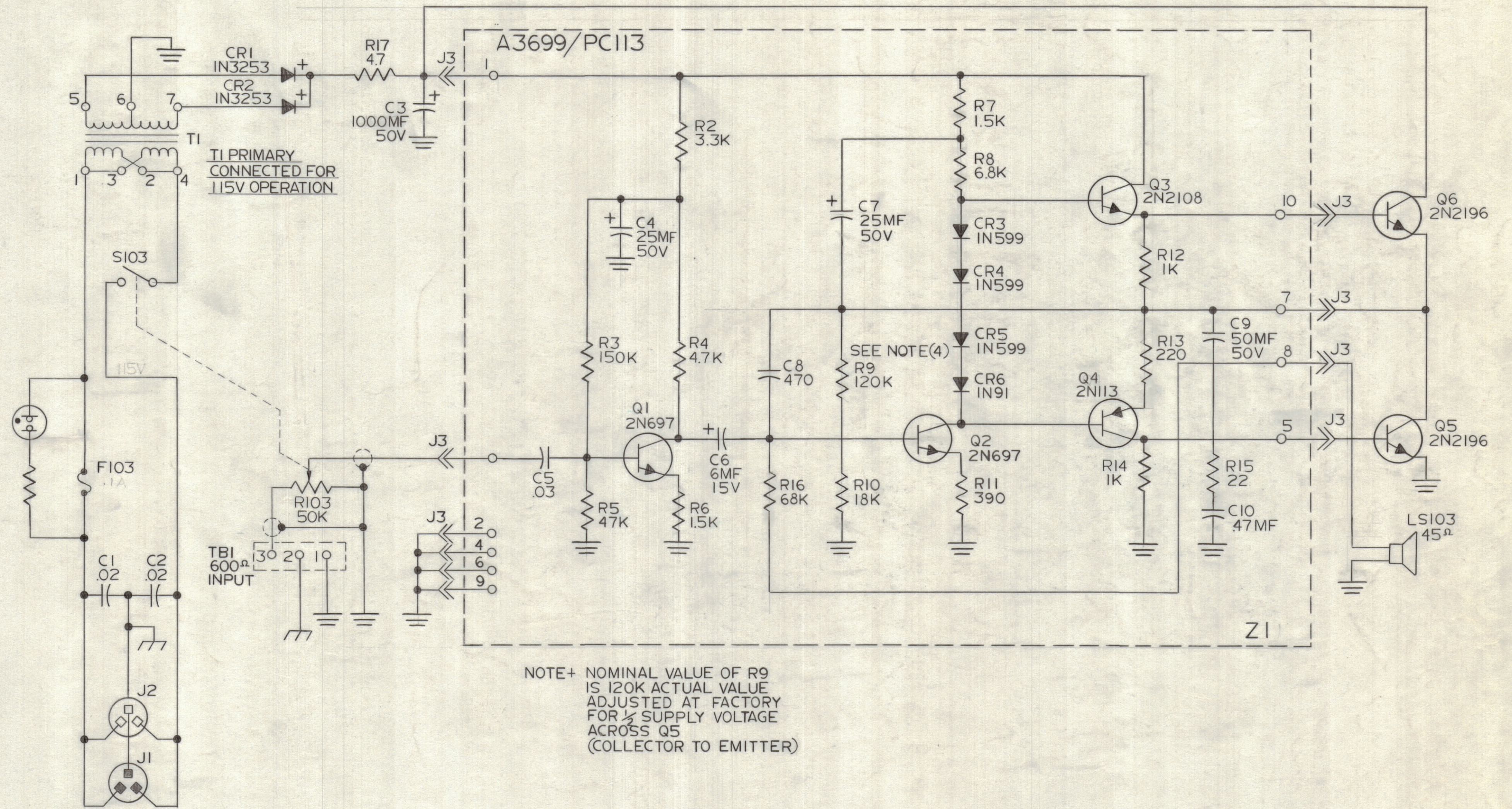
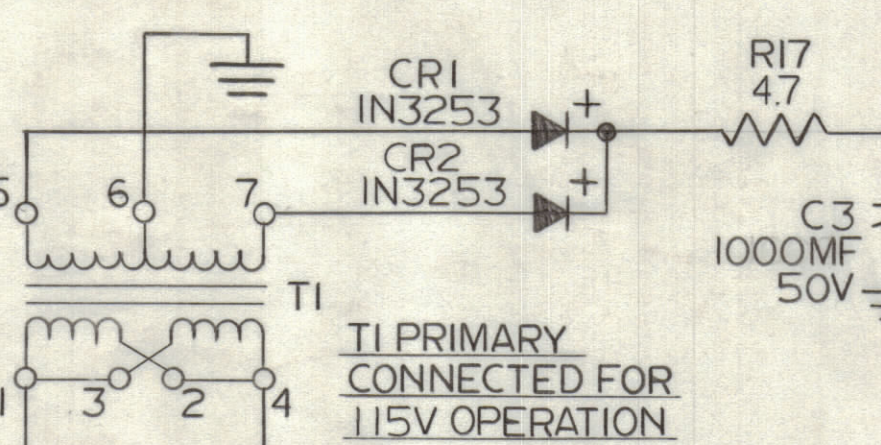
POS	DESIGNATION
1	OFF
2	CSL 2
3	CSL 3
4	CSL 4

100 SERIES	
LAST	NOT USED
F103	F101, 102
LS103	
PI01	
R103	R101, 102
S103	

UNIT SERIES	
LAST	SYMBOLS
C10	
Z1	
CR6	
J3	
Q6	
R17	
T1	
TBI	

NOTE UNLESS OTHERWISE SPECIFIED
 1. ALL RESISTOR VALUES ARE OHMS, 1/2 WATT
 2. ALL CAPACITOR VALUES ARE μ f
 3. --- DENOTES CHASSIS GROUND
 4. --- DENOTES COMMON CIRCUIT GROUND

T1 PRIMARY CONNECTION FOR 230V OPERATION



NOTE+ NOMINAL VALUE OF R9 IS 120K ACTUAL VALUE ADJUSTED AT FACTORY FOR 1/2 SUPPLY VOLTAGE ACROSS Q5 (COLLECTOR TO EMITTER)

QTY / UNIT	AX8022	17	ASS'Y NO.
APPLICATION			
CODE			
NOTICE TO PERSONS RECEIVING THIS DRAWING			
THE TECHNICAL MATERIEL CORPORATION claims proprietary right in the material disclosed hereon. This drawing is issued in confidence for engineering information only and may not be reproduced or used to manufacture anything shown hereon without permission from THE TECHNICAL MATERIEL CORPORATION to the user. This drawing is loaned for mutual assistance and is subject to recall at any time.			

QTY. REQ.	ITEM	PART NO.	DESCRIPTION	SYMBOL
LIST OF MATERIAL				
UNLESS OTHERWISE SPECIFIED DIMENSIONS ARE IN INCHES AND INCLUDE CHEMICALLY APPLIED OR PLATED FINISHES				
TOLERANCES ON				
DECIMALS		FRACTIONS		
.X \pm .05		\pm 1/64		
.XX \pm .01		ANGLES \pm 0' - 30'		
.XXX \pm .005				
MATERIAL				
FINISH				
SIZE			CODE IDENT. NO.	DWG NO.
D			82679	CK 8041
SCALE			SHEET 1 OF 1	

THE TECHNICAL MATERIEL CORP.
 MAMARONECK, NEW YORK
 SCHEMATIC DIAGRAM
 SPEAKER PANEL

CK8041 A