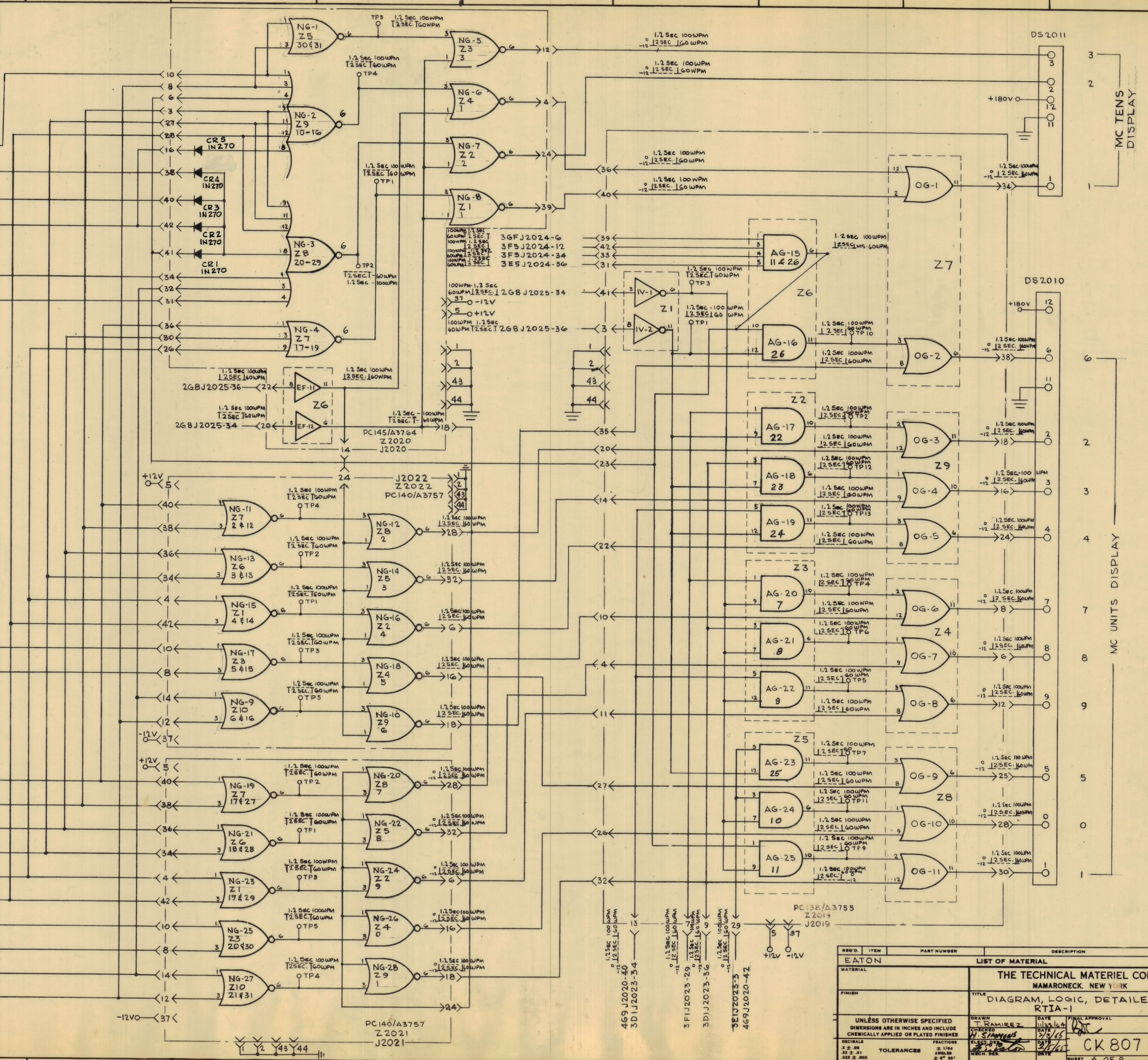


REVISIONS						
BY	DESCRIPTION	DATE	E.M.N. NO.	DRAFT	CHKD	APPD
X	EXPER. RELEASE	11-2-64	X	TR		
0	ORIGINAL RELEASE FOR PRODUCTION	2-5-65		HLG		
A	SEE SHEETS 7, 8, 9 OF 9 REV. "A"	3-19-67	13403	RZ		
B	ON AG 24 TO WAVEFORM AG 25. II WAS 1. II 22 ON AG 15 ADDED - WAVEFORM ON TP PIN G. MODIFIED SEE SHEETS 1 THRU 3 & SHEETS 5 THRU 9	6-4-65	14180	G.D.L.		
C	SEE SHEETS 7, 8, 9	11-9-65	15109	XIV		
D	SEE SH. 1 OF 9, REV. "D"	3-10-66	16236	HLC		

- 3DIJ2023-36
- 3DIJ2023-34
- 4B4J2019-13
- 3EIJ2023-3
- 4B4J2019-29
- 3FIJ2023-29
- 3GIJ2023-12
- 3FIJ2023-6
- 3GIJ2023-10
- 3FIJ2023-4
- 3BIJ2023-8
- 3CIJ2023-40
- 3CIJ2023-14
- 3CIJ2023-42
- 3EIJ2023-32
- 3EIJ2023-38

LAST NUMBER USED

AG 25
EF 12
IV 2
NG 28
OG 11



MC TENS DISPLAY

MC UNITS DISPLAY

REQ'D.	ITEM	PART NUMBER	DESCRIPTION	SYMBOL
EATON				
LIST OF MATERIAL				
MATERIAL				
FINISH				
UNLESS OTHERWISE SPECIFIED				
DIMENSIONS ARE IN INCHES AND INCLUDE				
CHEMICALLY APPLIED OR PLATED FINISHES				
DECIMALS	TOLERANCES	FRACTIONS	ANGLES	HOLE DIA.
1/16	± 0.01	1/16	± 1/16	± 0.005
1/32	± 0.005	1/32	± 1/32	± 0.002

THE TECHNICAL MATERIEL CORP. MAMARONECK, NEW YORK			
TITLE		DATE	
DIAGRAM, LOGIC, DETAILED		11/25/64	
RTIA-1		3/3/65	
DRAWN		FINAL APPROVAL	
RAMIREZ		[Signature]	
CHECKED		DATE	
H. STANNARD		3/3/65	
ELECT. DES.		DATE	
[Signature]		3/3/65	
REV. LTR.		DATE	
D		3/3/65	