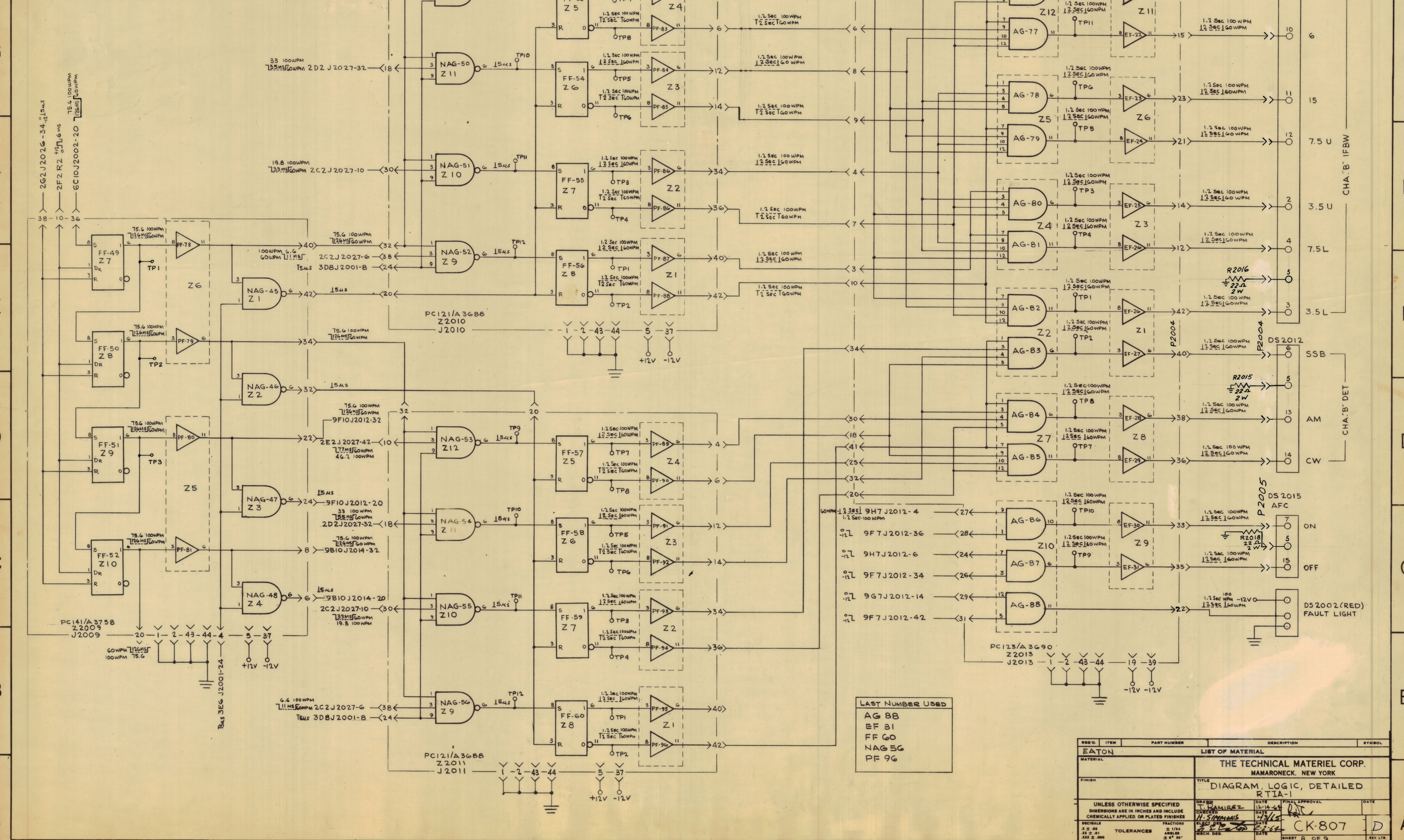


REVISONS

SYM	DESCRIPTION	DATE	E.M.N. NO.	DRAFT	CHKD	APPD
X	EXPER. RELEASE	11-14-64	X	T.R.		
B	ORIGINAL RELEASE FOR PRODUCTION	2-5-65	H.C.A.			
A	ON DS2015: PIN 5, R2016 & CRD. ADD; ON DS2012: PIN 5, R2015 & CRD. ADD; ON DS2013: PIN 5, R2016 & CRD. ADD; SKR SHEETS 7.6.7 & 9 REV. "A"	3-19-65	13603	H.F.		
B	TP 1, 2 & 3 ADDED - WAVE FORMS ON PIN 36 REVERSED - ON AG88 PIN 22 WAS 2 - PIN ON 2A ADDED SEE SHEETS 1 THRU 4 & 9	6-4-65	14180	G.D.L.		
C	P2003, 4, 5, COMM. SYM. ADDED (SEE SHEETS 1, 2)	11-6-65	15109	H.C.A.		
D	See SH. 1 of 9, Rev. "D"	5-10-66	16216	H.C.A.		



LAST NUMBER USED  
 AG 88  
 EF 81  
 FF 60  
 NAG 56  
 PF 96

REQ'D	ITEM	PART NUMBER	DESCRIPTION	SYMBOL
EATON LIST OF MATERIAL				
MATERIAL THE TECHNICAL MATERIEL CORP. MAMARONECK, NEW YORK				
FINISH TITLE DIAGRAM, LOGIC, DETAILED RTIA-1				
UNLESS OTHERWISE SPECIFIED DIMENSIONS ARE IN INCHES AND INCLUDE CHEMICALLY APPLIED OR PLATED FINISHES				
DECIMALS ± 0.00	FRACTIONS ± 1/64	ANGLES ± 30'	DATE 12-14-64	DATE
MECH. DES.	DATE 12/15/64	DATE	DATE	DATE
CK-807				D
SHEET 8 OF 9				REV. LTR.