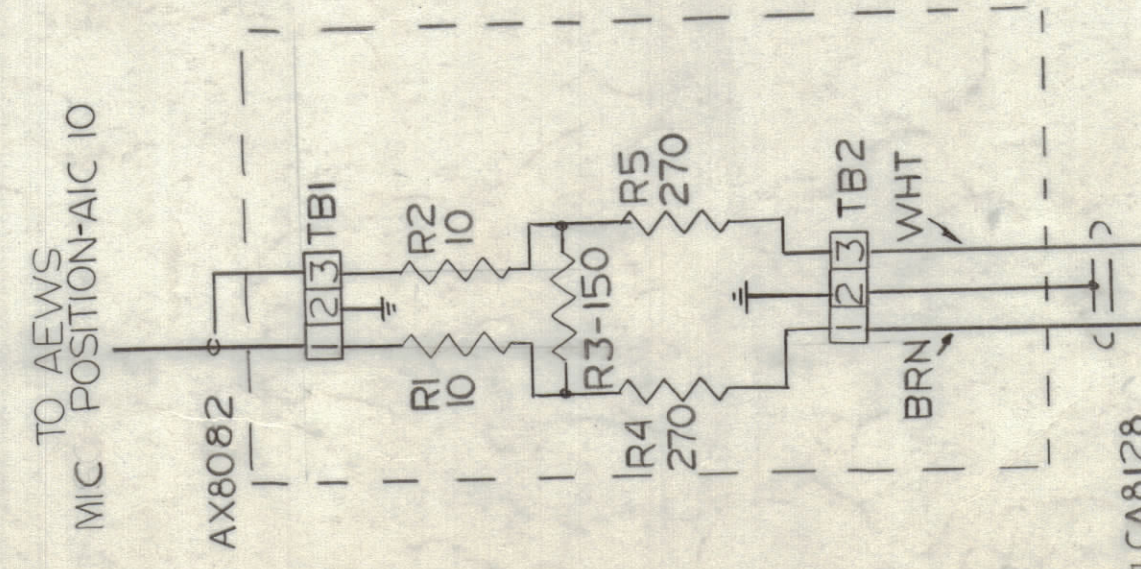
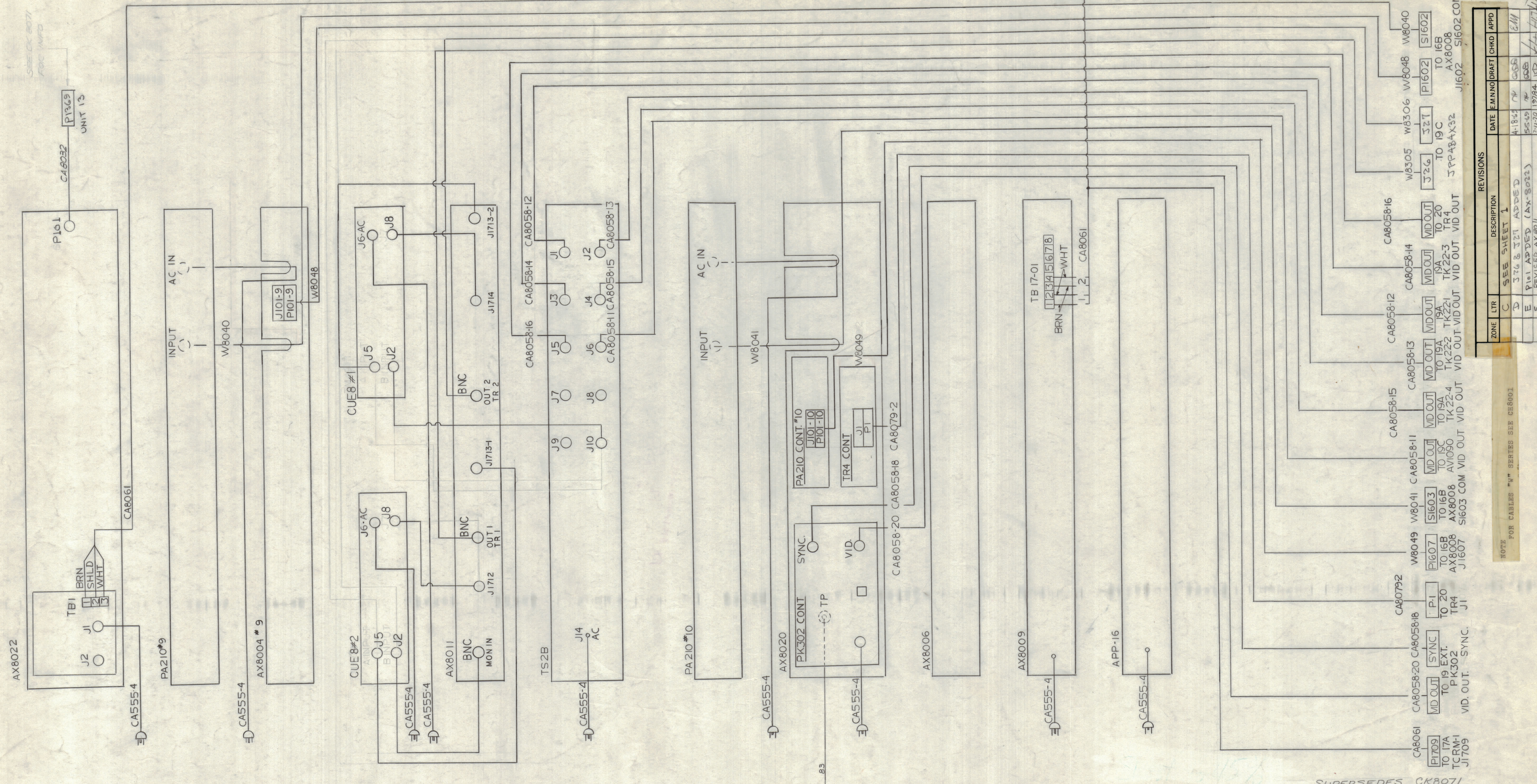


REVISIONS						
ZONE	LTR	DESCRIPTION	DATE	E.M.N.O.	DRAFT	CHKD
B		CA 8032 ADDED	2/1/68			



P1357-4
TO ISA
AJP-4
J1357-4

ZONE	LTR	DESCRIPTION	DATE	E.M.N.O.	DRAFT	CHKD	APPD
C		SEE SHEET 1	4-18-68				
D		376 & J21 ADDED	5-5-68				
E		PI1 ADDED (AX-8022)	5-5-68				
F		REVISED AX 801	7-17-68				

NOTE FOR CABLES "N" SERIES SEE CH8001

SUPERSEDES CK8071

QTY. REQ.	ITEM	PART NO.	DESCRIPTION	SYMBOL
-----------	------	----------	-------------	--------

LIST OF MATERIAL

THE TECHNICAL MATERIEL CORP.
MAMARONECK, NEW YORK

WIRING DIAGRAM
UNIT 17B

FINAL APPROVAL	DATE
MECH. DES.	DATE
ELECT. DES.	DATE
CHECKED	DATE
DRAWN	DATE

UNLESS OTHERWISE SPECIFIED DIMENSIONS ARE IN INCHES AND INCLUDE CHEMICALLY APPLIED OR PLATED FINISHES

TOLERANCES ON
DECIMALS .X ± .05
 .XX ± .01
 .XXX ± .005

FRACTIONS ± 1/64
 ANGLES ± 0°-30'

QTY / UNIT	MODEL USED ON	ASS'Y NO.
APPLICATION		
CODE		
MATERIAL		
FINISH		

NOTICE TO PERSONS RECEIVING THIS DRAWING
THE TECHNICAL MATERIEL CORPORATION claims proprietary right in the material disclosed hereon. This drawing is issued in confidence for engineering information only and may not be reproduced or used to manufacture anything shown hereon without permission from THE TECHNICAL MATERIEL CORPORATION to the user. This drawing is loaned for mutual assistance and is subject to recall at any time.

SIZE	CODE IDENT. NO.	DWG NO.	ISSUE
D	82679	CK8125	F
SCALE			SHEET 2 OF 2