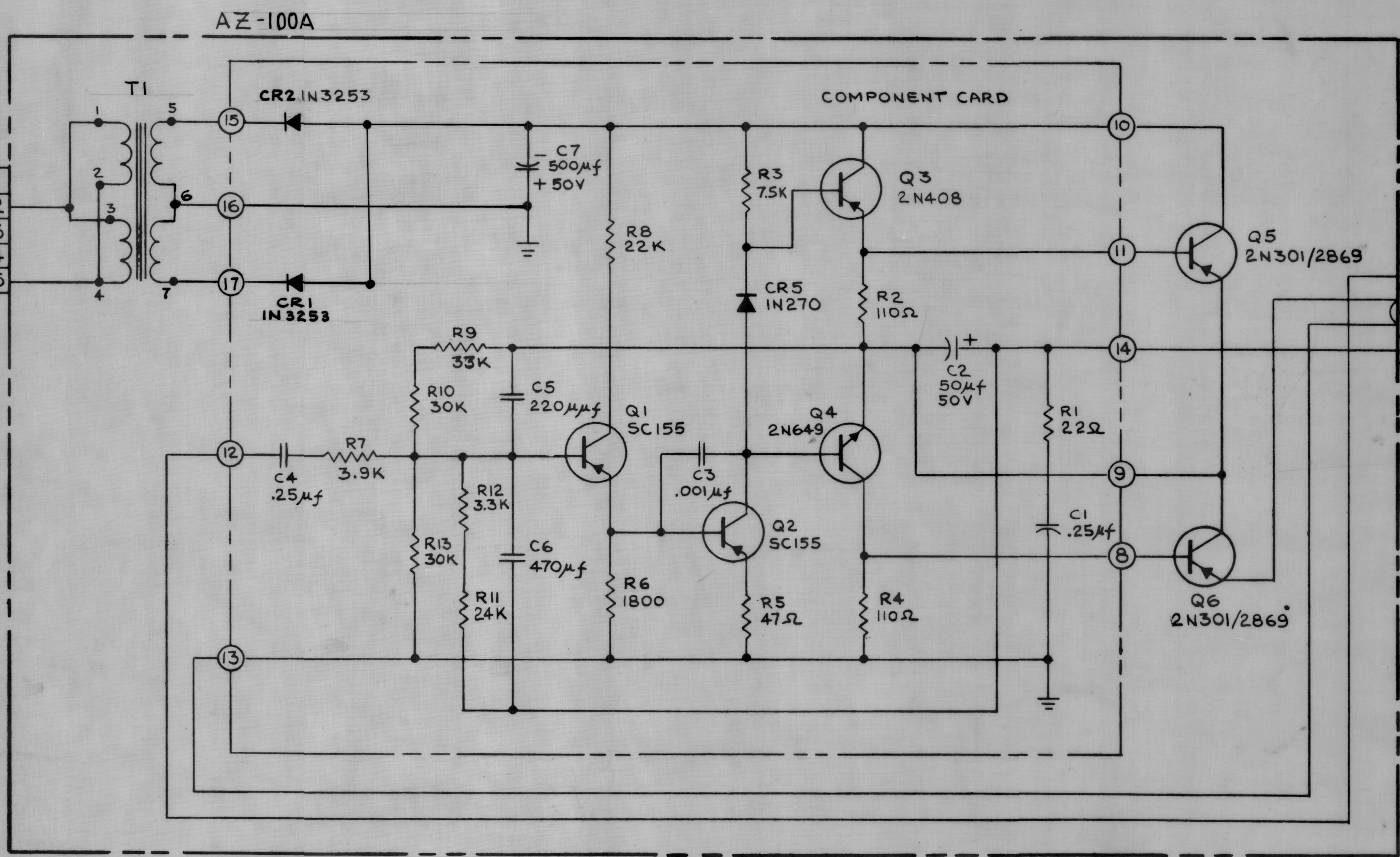


| REVISIONS | | | | | | |
|-----------|-----|---------------------------------|---------|------------|-------|------|
| ZONE | SYM | DESCRIPTION | DATE | E.M.N. NO. | DRAFT | CHKD |
| X | | EXPERIMENTAL RELEASE | 1-18-65 | | HLA | |
| Ø | | ORIGINAL RELEASE FOR PRODUCTION | 1-28-65 | | H.L. | |
| F7 | A | NOTE: "TO 1/4 AMP." REVISED. | 3-24-65 | 11770 | H.L. | |

NOTE:
T1 IS TMC TF287, REPLACING ORIGINAL TRANSFORMER SUPPLIED BY DIGITECH.



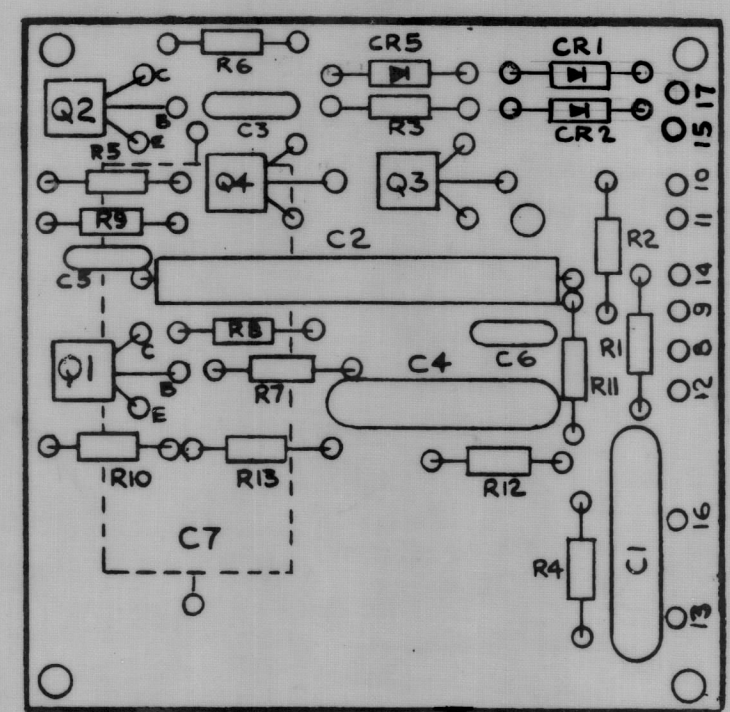
TO 1/4 AMP (FRONT PANEL) FUSE FOR 115 VAC OPERATION USE 1/8 AMP FUSE FOR 230 VAC OPERATION

* SEE NOTE

SPEAKER INPUT

CK 902

* NOTE: SEE BSP SCHEMATIC FOR REF SYMBOL ALL RESISTORS ARE ± 5%



COMPONENT CARD LAYOUT

| REQ'D. | ITEM | PART NUMBER | DESCRIPTION | SYMBOL |
|--|------|--------------|----------------|--------|
| HAY LIST OF MATERIAL | | | | |
| MATERIAL | | | | |
| FINISH | | | | |
| THE TECHNICAL MATERIEL CORP. MAMARONECK, NEW YORK | | | | |
| TITLE: SCHEMATIC DIAGRAM & COMPONENT CARD LAYOUT (AZ-100A) | | | | |
| DRAWN HLA | | DATE 1-18-65 | FINAL APPROVAL | |
| CHECKED @ | | DATE 1-28-65 | DATE | |
| ELECT. DES. WMA | | DATE 1/28/65 | CK902 | |
| MECH. DES. | | DATE | REV. LTR. A | |
| SHEET | | 1 | | |

| BSP1B, 2B, 3B | | |
|---|---------------|----------------------------------|
| Q'TY./UNIT | MODEL USED ON | ASS'Y. NO. |
| SCALE | CODE A | |
| UNLESS OTHERWISE SPECIFIED DIMENSIONS ARE IN INCHES AND INCLUDE CHEMICALLY APPLIED OR PLATED FINISHES | | |
| DECIMALS .X ± .08 .XX ± .01 .XXX ± .006 | TOLERANCES | FRACTIONS ± 1/64 ANGLES ± 0° 30' |
| THE CONTENTS OF THIS DRAWING ARE THE EXCLUSIVE PROPERTY OF THE TECHNICAL MATERIEL CORP. ITS UNAUTHORIZED USE OR REPRODUCTION IN WHOLE OR IN PART IS STRICTLY FORBIDDEN. | | |

NOTES