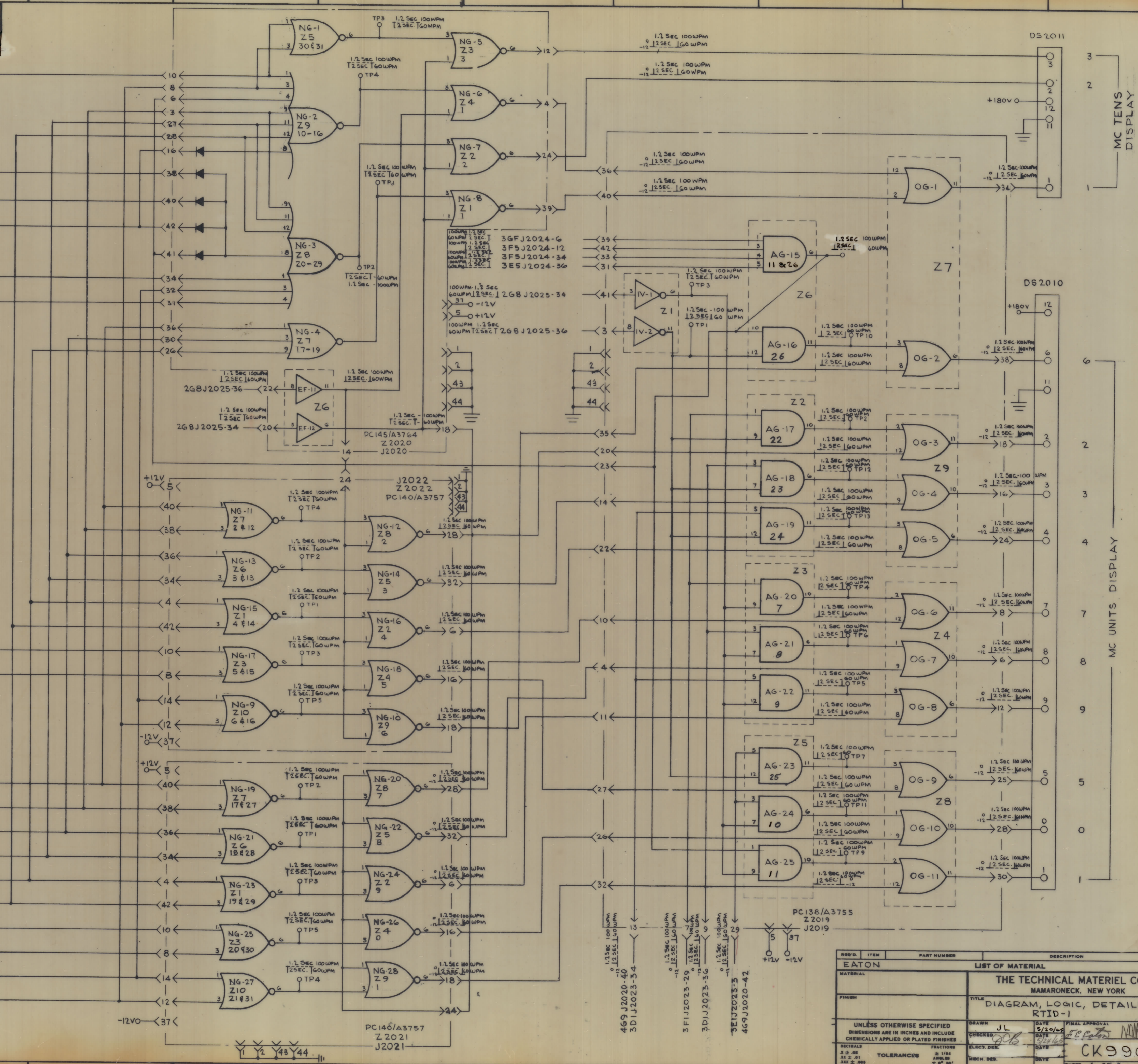


REVISIONS						
BY	DESCRIPTION	DATE	EM.N. NO.	DRAFT	CHKD	APPD
✓	ORIGINAL RELEASE FOR PRODUCTION	5/20/65	JL			
A	SEE SHTS 1 & 2	1/7/65	15539	P.V.K.		
B	SEE SHTS 1 OF 9 & B OF 9	3/18/64	15978			

- 3DIJ2023-36
- 3DIJ2023-34
- 4B4J2019-13
- 3EIJ2023-3
- 4B4J2019-29
- 3FIJ2023-29
- 3GIJ2023-12
- 3FIJ2023-6
- 3GIJ2023-10
- 3FIJ2023-4
- 3BIJ2023-8
- 3CIJ2023-40
- 3CIJ2023-14
- 3CIJ2023-42
- 3EIJ2023-32
- 3EIJ2023-38

LAST NUMBER USED
 AG 25
 EF 12
 IV 2
 NG 28
 OG 11



EATON LIST OF MATERIAL			
ITEM	PART NUMBER	DESCRIPTION	SYMBOL
MATERIAL			
FINISH			
UNLESS OTHERWISE SPECIFIED DIMENSIONS ARE IN INCHES AND INCLUDE CHEMICALLY APPLIED OR PLATED FINISHES			
DRAWN JL		DATE 5/20/65	5/20/65
CHECKED P.V.K.		DATE 5/20/65	5/20/65
DESIGNED P.V.K.		DATE 5/20/65	5/20/65
MECH. DES. DATE		CK990	B
TOLERANCES		FRACTIONS	DECIMALS
± .005		± 1/64	± .001
		± 1/32	± .0005
		± 1/16	± .0002
		± 1/8	± .0001
		± 1/4	± .00005
		± 1/2	± .00002
		± 3/4	± .00001
		± 1	± .000005
		± 2	± .000002
		± 3	± .000001
		± 4	± .0000005
		± 5	± .0000002
		± 6	± .0000001
		± 7	± .00000005
		± 8	± .00000002
		± 9	± .00000001
		± 10	± .000000005
		± 11	± .000000002
		± 12	± .000000001
		± 13	± .0000000005
		± 14	± .0000000002
		± 15	± .0000000001
		± 16	± .00000000005
		± 17	± .00000000002
		± 18	± .00000000001
		± 19	± .000000000005
		± 20	± .000000000002
		± 21	± .000000000001
		± 22	± .0000000000005
		± 23	± .0000000000002
		± 24	± .0000000000001
		± 25	± .00000000000005
		± 26	± .00000000000002
		± 27	± .00000000000001
		± 28	± .000000000000005
		± 29	± .000000000000002
		± 30	± .000000000000001
		± 31	± .0000000000000005
		± 32	± .0000000000000002
		± 33	± .0000000000000001
		± 34	± .00000000000000005
		± 35	± .00000000000000002
		± 36	± .00000000000000001
		± 37	± .000000000000000005
		± 38	± .000000000000000002
		± 39	± .000000000000000001
		± 40	± .0000000000000000005
		± 41	± .0000000000000000002
		± 42	± .0000000000000000001
		± 43	± .00000000000000000005
		± 44	± .00000000000000000002
		± 45	± .00000000000000000001
		± 46	± .000000000000000000005
		± 47	± .000000000000000000002
		± 48	± .000000000000000000001
		± 49	± .0000000000000000000005
		± 50	± .0000000000000000000002
		± 51	± .0000000000000000000001
		± 52	± .00000000000000000000005
		± 53	± .00000000000000000000002
		± 54	± .00000000000000000000001
		± 55	± .000000000000000000000005
		± 56	± .000000000000000000000002
		± 57	± .000000000000000000000001
		± 58	± .0000000000000000000000005
		± 59	± .0000000000000000000000002
		± 60	± .0000000000000000000000001
		± 61	± .00000000000000000000000005
		± 62	± .00000000000000000000000002
		± 63	± .00000000000000000000000001
		± 64	± .000000000000000000000000005
		± 65	± .000000000000000000000000002
		± 66	± .000000000000000000000000001
		± 67	± .0000000000000000000000000005
		± 68	± .0000000000000000000000000002
		± 69	± .0000000000000000000000000001
		± 70	± .00000000000000000000000000005
		± 71	± .00000000000000000000000000002
		± 72	± .00000000000000000000000000001
		± 73	± .000000000000000000000000000005
		± 74	± .000000000000000000000000000002
		± 75	± .000000000000000000000000000001
		± 76	± .0000000000000000000000000000005
		± 77	± .0000000000000000000000000000002
		± 78	± .0000000000000000000000000000001
		± 79	± .00000000000000000000000000000005
		± 80	± .00000000000000000000000000000002
		± 81	± .00000000000000000000000000000001
		± 82	± .000000000000000000000000000000005
		± 83	± .000000000000000000000000000000002
		± 84	± .000000000000000000000000000000001
		± 85	± .0000000000000000000000000000000005
		± 86	± .0000000000000000000000000000000002
		± 87	± .0000000000000000000000000000000001
		± 88	± .00000000000000000000000000000000005
		± 89	± .00000000000000000000000000000000002
		± 90	± .00000000000000000000000000000000001
		± 91	± .000000000000000000000000000000000005
		± 92	± .000000000000000000000000000000000002
		± 93	± .000000000000000000000000000000000001
		± 94	± .0000000000000000000000000000000000005
		± 95	± .0000000000000000000000000000000000002
		± 96	± .0000000000000000000000000000000000001
		± 97	± .00000000000000000000000000000000000005
		± 98	± .00000000000000000000000000000000000002
		± 99	± .00000000000000000000000000000000000001
		± 100	± .000000000000000000000000000000000000005

MC TENS DISPLAY
 MC UNITS DISPLAY