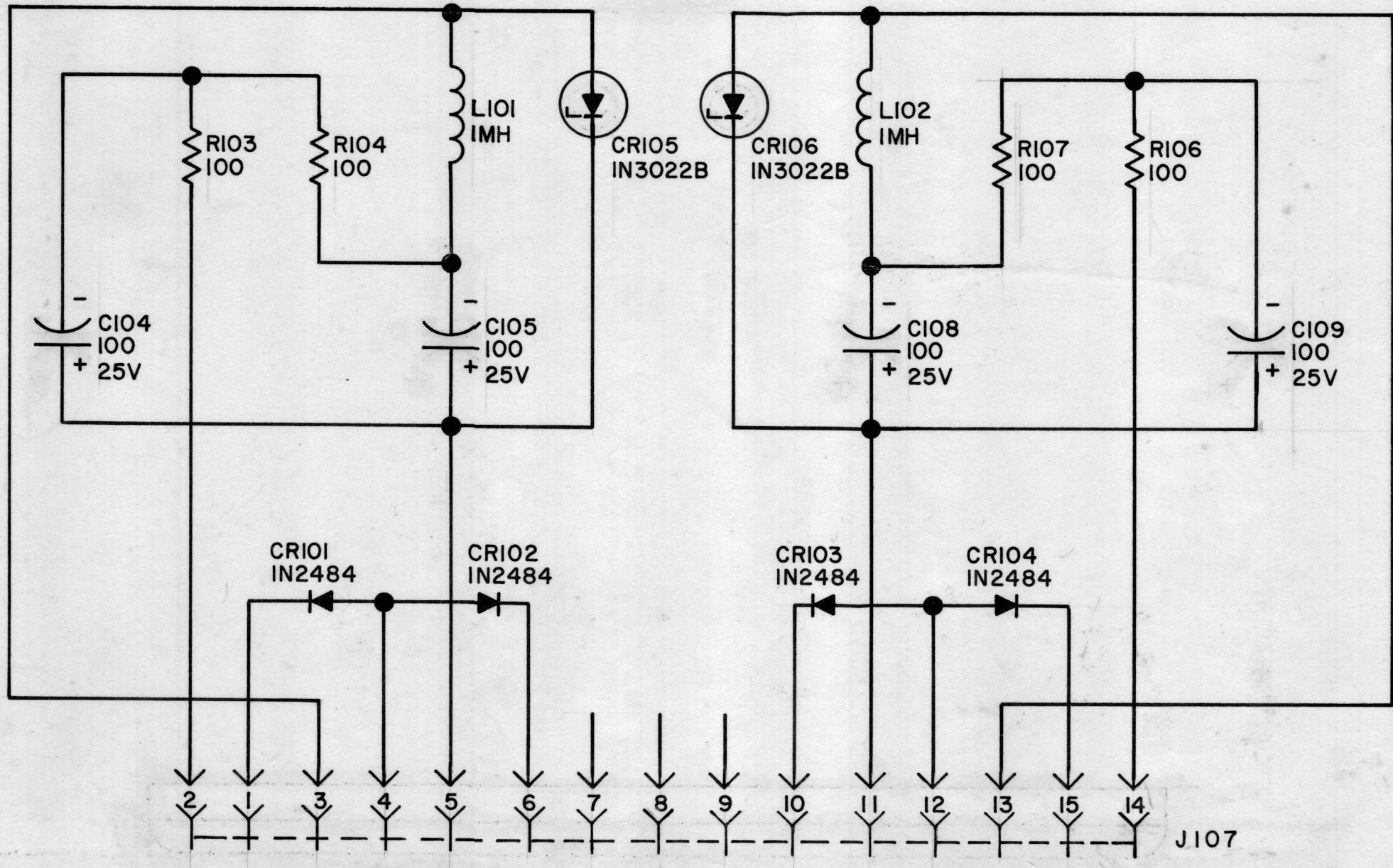


REVISIONS							
ZONE	SYM	DESCRIPTION	DATE	E.M.N. NO.	DRAFT	CHKD	APPD
Ø		ORIGINAL RELEASE FOR PRODUCTION	6/16/65	-M-	JC	J.M.	



— UNLESS OTHERWISE SPECIFIED —
 1— ALL RESISTOR VALUES ARE IN OHMS, 1/2 WATT.
 2— ALL CAPACITOR VALUES ARE IN MICROFARADS.
 3— FOR FIRST, LAST & MISSING SYMBOLS, REFER TO CK972.

NOTES

RGCB-1		
Q'TY./UNIT	MODEL USED ON	ASS'Y. NO.
SCALE	CODE	
THE CONTENTS OF THIS DRAWING ARE THE EXCLUSIVE PROPERTY OF THE TECHNICAL MATERIEL CORP. ITS UNAUTHORIZED USE OR REPRODUCTION IN WHOLE OR IN PART IS STRICTLY FORBIDDEN.		

REQ'D.	ITEM	PART NUMBER	DESCRIPTION	SYMBOL
EATON LIST OF MATERIAL				
MATERIAL		THE TECHNICAL MATERIEL CORP. MAMARONECK, NEW YORK		
FINISH		TITLE DIAGRAM, SCHEMATIC		
UNLESS OTHERWISE SPECIFIED DIMENSIONS ARE IN INCHES AND INCLUDE CHEMICALLY APPLIED OR PLATED FINISHES		DRAWN NIDA SER	DATE 6-14-65	FINAL APPROVAL [Signature]
		CHECKED [Signature]	DATE 6/16/65	DATE 6/16/65
		ELECT. DES. [Signature]	DATE 6-16-65	DATE
		MECH. DES.	DATE	DATE
		CK997		Ø
		SHEET		REV. LTR.

CK997