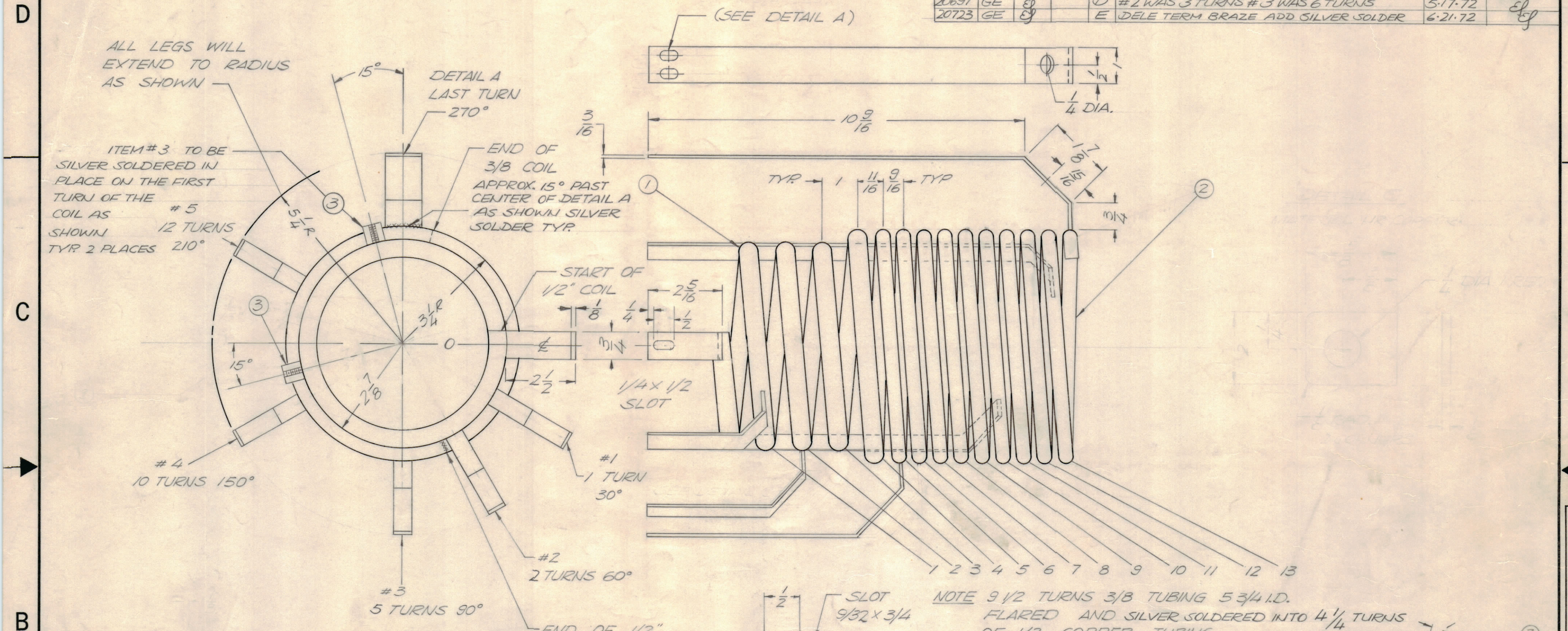
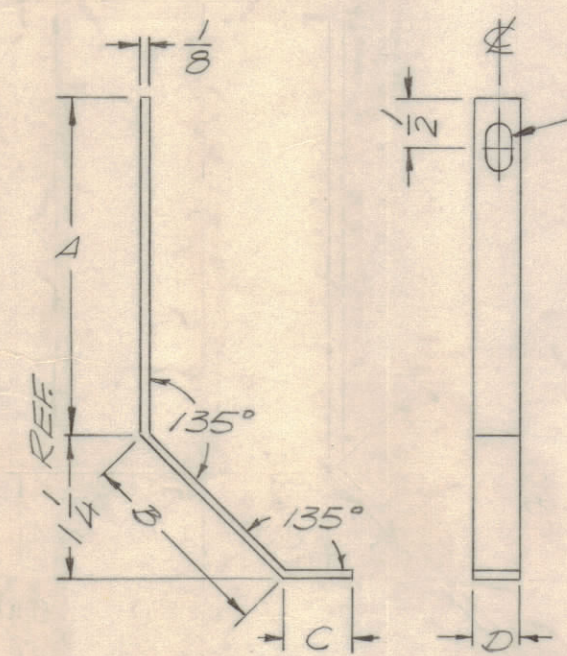


REVISIONS							
E.M.N.O	DRAFT	CHKD	ZONE	LTR	DESCRIPTION	DATE	APPROVED
	GE			D	ORIGINAL RELEASE FOR PROD	1/27/70	
19866	GE	EG		A	RELOCATE IT. 3. CHG LEG CHT. & DET. B	5/27/70	FB
20596	GE	EG		B	ADD DETAIL C	4-19-72	EG
20660	GE	EG		C	DELE. DETAIL C	5-3-72	EG
20697	GE	EG		D	#2 WAS 3 TURNS #3 WAS 6 TURNS	5-17-72	EG
20723	GE	EG		E	DELE TERM BRAZE ADD SILVER SOLDER	6-21-72	EG



ALL LEGS WILL EXTEND TO RADIUS AS SHOWN

ITEM #3 TO BE SILVER SOLDERED IN PLACE ON THE FIRST TURN OF THE COIL AS SHOWN TYR 2 PLACES 210°



LEG	A	B	C	D
#1	1 5/16	1 7/8	1 1/8	1/2
#2	3	1 7/8	1 1/8	1/2
#3	5 1/16	1 7/8	3/4	1/2
#4	8 1/16	1 7/8	3/4	1/2
#5	10	1 7/8	3/4	1/2

NOTE 9 1/2 TURNS 3/8 TUBING 5 3/4 I.D. FLARED AND SILVER SOLDERED INTO 4 1/4 TURNS OF 1/2 COPPER TUBING

SLOT 9/32 x 3/4

DRILL & TAP THRU FOR 1032 THD.

SILVER SOLDER

MATERIAL 3/16 HR COPPER

DETAIL A

MATERIAL HR COPPER

DETAIL B

1	PALA 10 K	AX5089
QTY / UNIT	MODEL USED ON	ASS'Y NO.
APPLICATION		
CODE		

NOTICE TO PERSONS RECEIVING THIS DRAWING

THE TECHNICAL MATERIEL CORPORATION claims proprietary right in the material disclosed hereon. This drawing is issued in confidence for engineering information only and may not be reproduced or used to manufacture anything shown hereon without permission from THE TECHNICAL MATERIEL CORPORATION to the user. This drawing is loaned for mutual assistance and is subject to recall at any time.

UNLESS OTHERWISE SPECIFIED DIMENSIONS ARE IN INCHES AND INCLUDE CHEMICALLY APPLIED OR PLATED FINISHES

TOLERANCES ON  
 DECIMALS .X ± .05  
 .XX ± .01  
 .XXX ± .005  
 FRACTIONS ± 1/64  
 ANGLES ± 0° - 30°

MATERIAL AS NOTED

FINISH BRIGHT SILVER PLATE  
 SILVER KOTE

QTY. REQ.	ITEM	PART NO.	DESCRIPTION	SYMBOL
2	3	TE 1032 BR 0.500 RB	TERMINAL STUD	
X	2	TU 100-6	TUBING 3/8 OD	
X	1	TU 100-8	TUBING 1/2 OD	

F. BUDETTI

FINAL APPROVAL [Signature] DATE 1/29/70

MECH. DES. [Signature] DATE 1/29/70

ELECT. DES. DATE

CHECKED DATE

DRAWN G. EVANGELIS DATE 1/28/70

LIST OF MATERIAL

THE TECHNICAL MATERIEL CORP.  
 MAMARONECK, NEW YORK

COIL, TANK, MAIN

SIZE	CODE IDENT NO.	DWG NO.	ISSUE
C	82679	CL 445	E

SCALE 1/2 SHEET OF