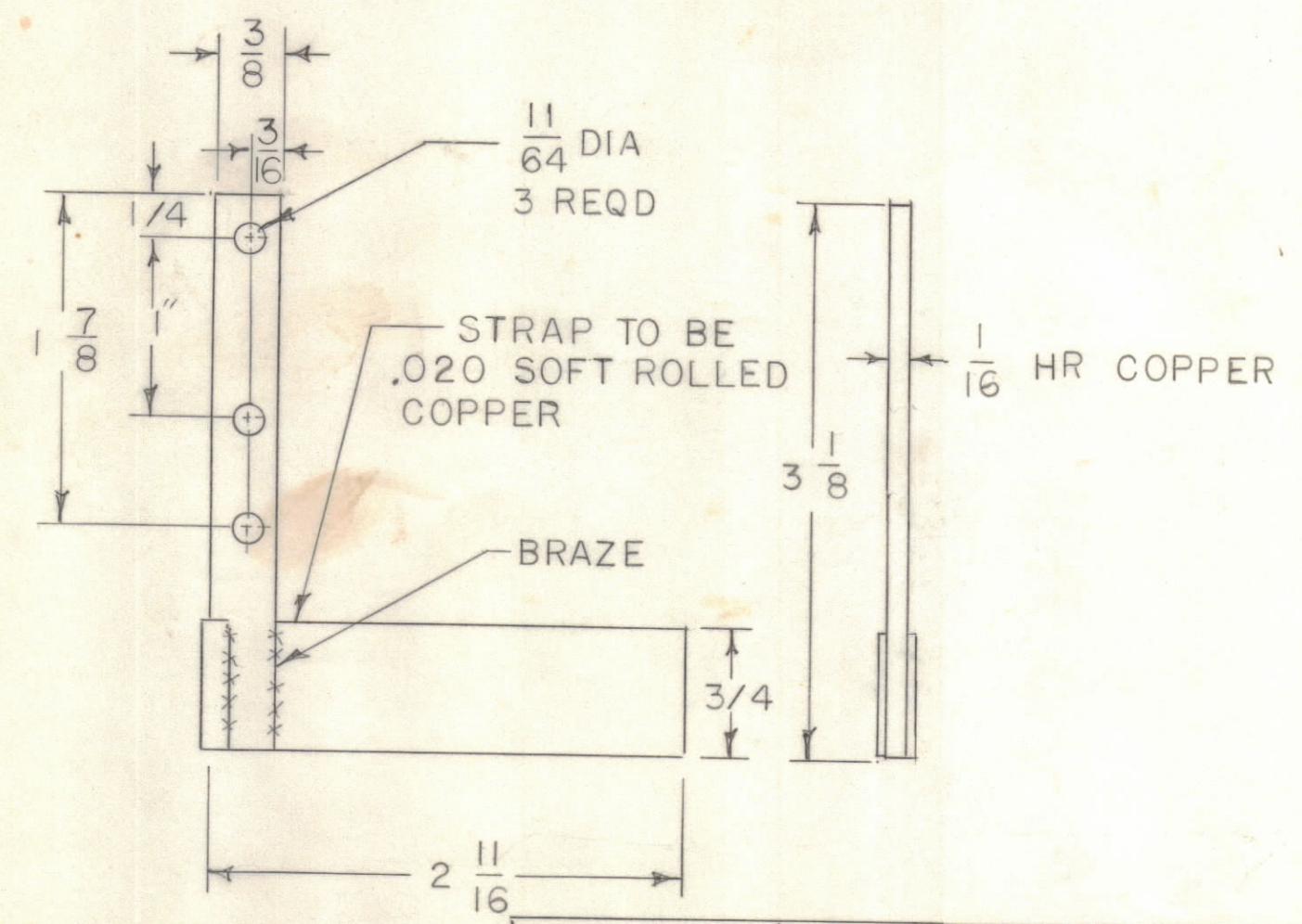
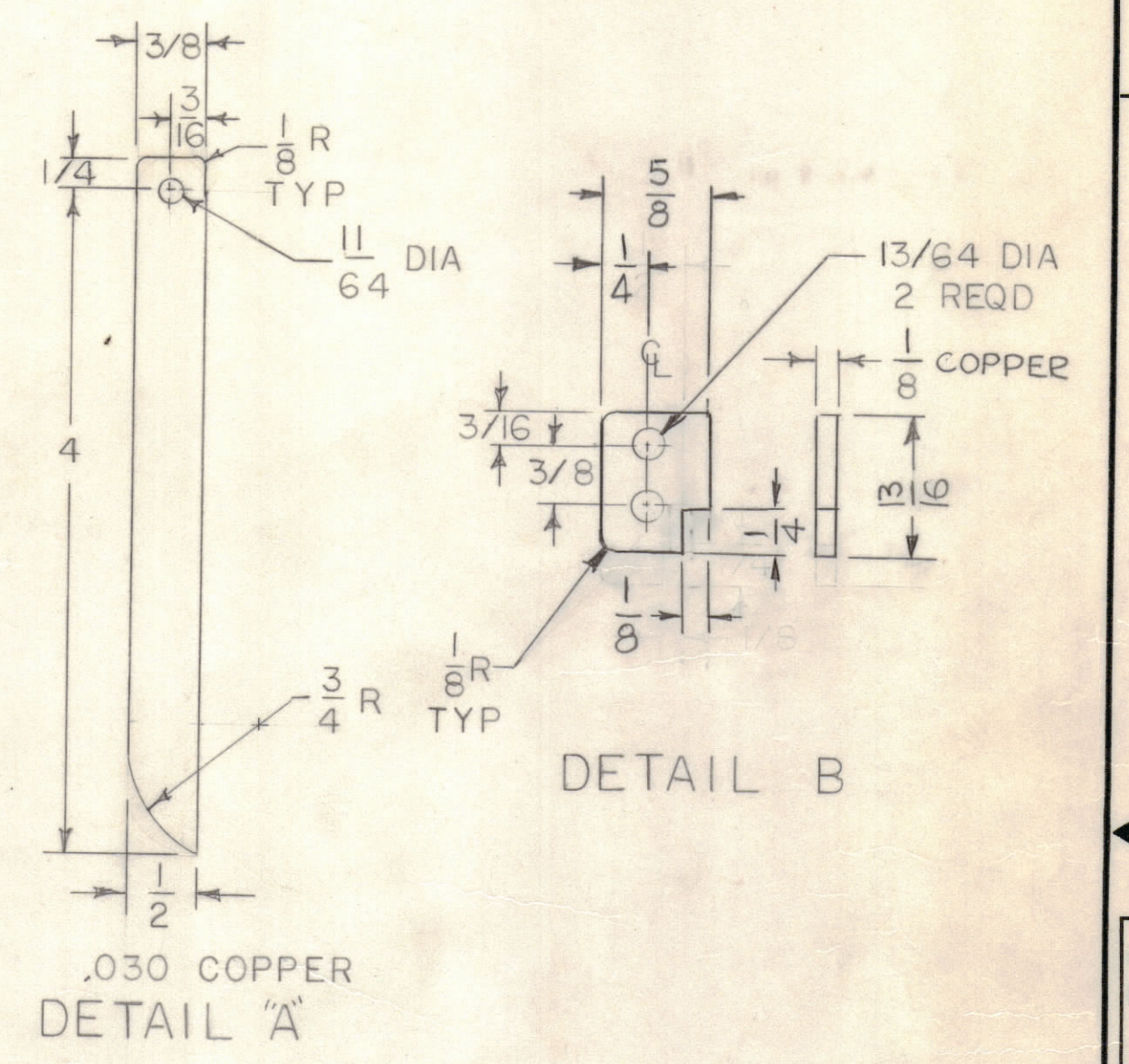
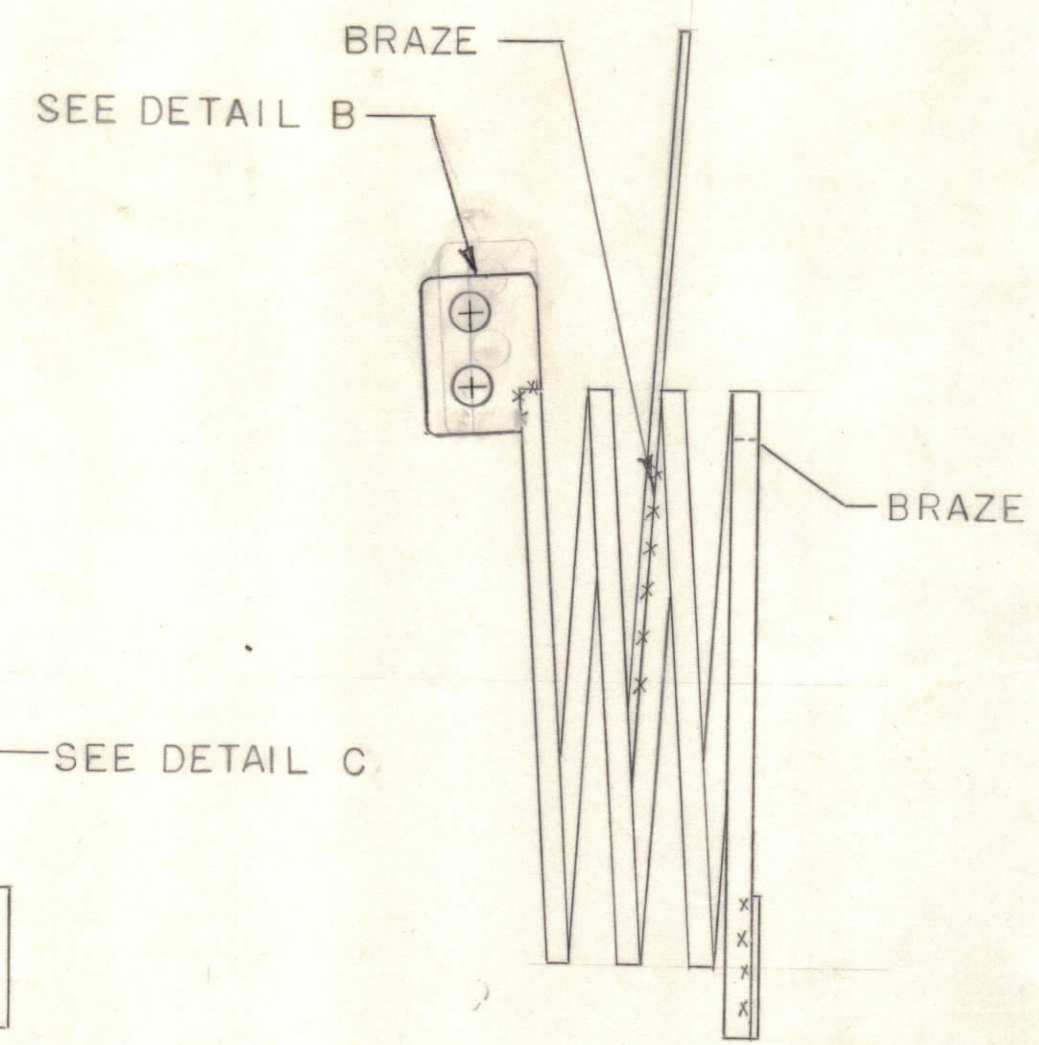
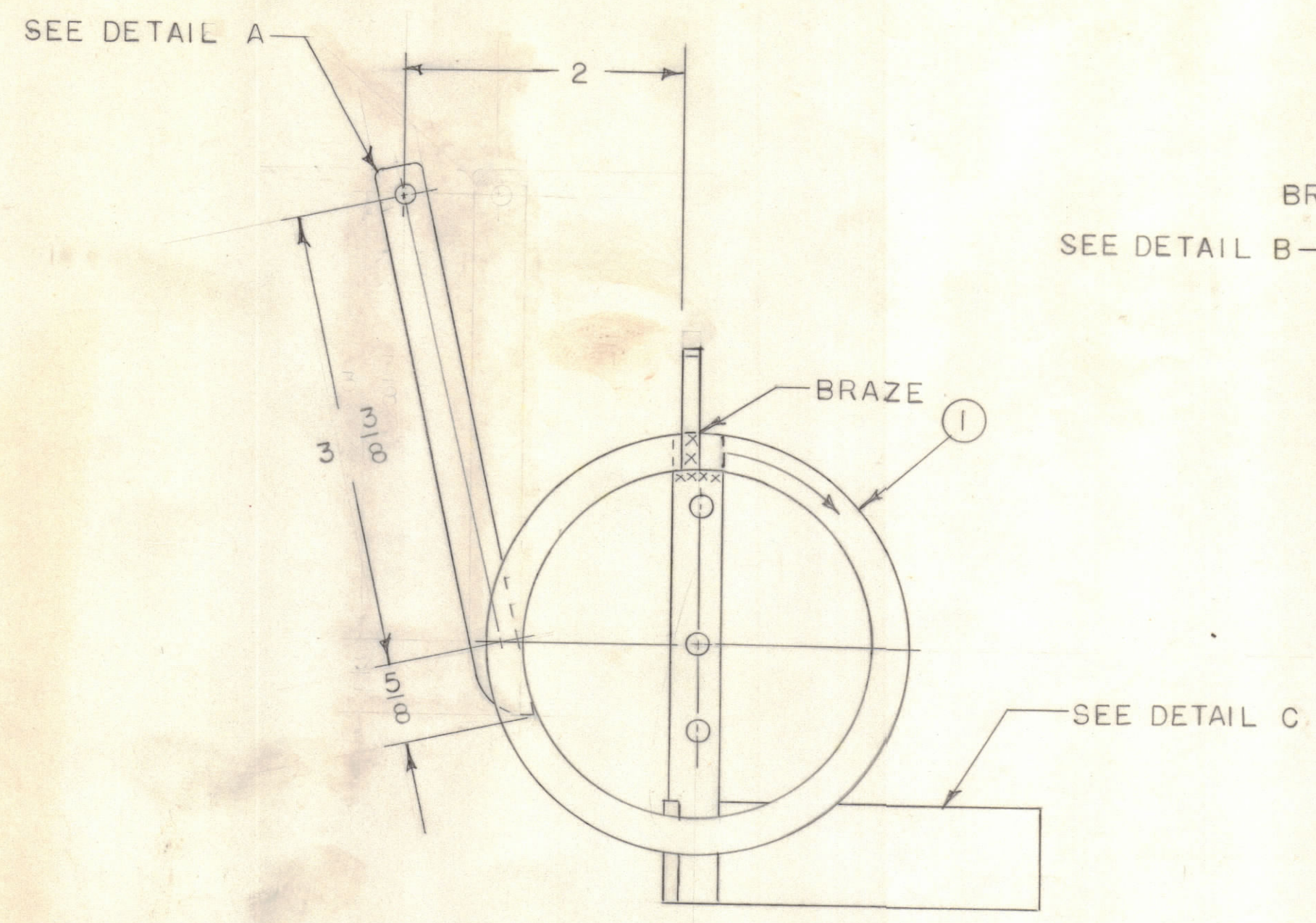


REVISIONS							
E.M.N.NO	DRAFT	CHKD	ZONE	LTR	DESCRIPTION	DATE	APPROVED
	RF			X	EXP RELEASE	6-8-71	
	CU			Ø	ORIGINAL RELEASE FOR PRODUCTION	6-29-71	<i>RF</i>
21375	GDL	<i>Ch</i>		A	DETAIL "B" UPDATED - ITEM 1 WAS 3.125 CW	5-24-76	<i>Ch</i>



NOTE: ATTACH DETAILS TO ITEM ONE BY BRAZING AT DESIGNATED POINTS (xxx).

DETAIL "C"

QTY. REQ.	ITEM	PART NO.	DESCRIPTION	SYMBOL
1	1	CLI33-2R3CW	COIL, RF 3.125 TURNS C'WISE	

F. BUDETTI LIST OF MATERIAL

FINAL APPROVAL	DATE	THE TECHNICAL MATERIEL CORP. MAMARONECK, NEW YORK COIL, RF HIGH FREQ.
MECH. DES.	DATE	
ELECT. DES.	DATE	
CHECKED	DATE	
DRAWN	DATE	

SIZE	CODE	IDENT NO.	DWG NO.	ISSUE
C	82679	CL 471		A

SCALE NTS SHEET 1 OF 1

UNLESS OTHERWISE SPECIFIED DIMENSIONS ARE IN INCHES AND INCLUDE CHEMICALLY APPLIED OR PLATED FINISHES

TOLERANCES ON
 DECIMALS .X ± .05
 .XX ± .01
 .XXX ± .005
 FRACTIONS ± 1/64
 ANGLES ± 0° -30'

MATERIAL AS NOTED
 FINISH SILVER PLATED

1	TLAA-1K	BMA 460
QTY / UNIT	MODEL USED ON	ASS'Y NO.
APPLICATION		
CODE		

NOTICE TO PERSONS RECEIVING THIS DRAWING
 THE TECHNICAL MATERIEL CORPORATION claims proprietary right in the material disclosed hereon. This drawing is issued in confidence for engineering information only and may not be reproduced or used to manufacture anything shown hereon without permission from THE TECHNICAL MATERIEL CORPORATION to the user. This drawing is loaned for mutual assistance and is subject to recall at any time.