

REVISIONS						
ZONE	LTR	DESCRIPTION	DATE	E.M.N.NO	DRAFT	CHKD APPD
	0	ORIGINAL RELEASE FOR PRODUCTION	3/28/73		Q	

CHART 1
CAPACITANCE AVAILABLE

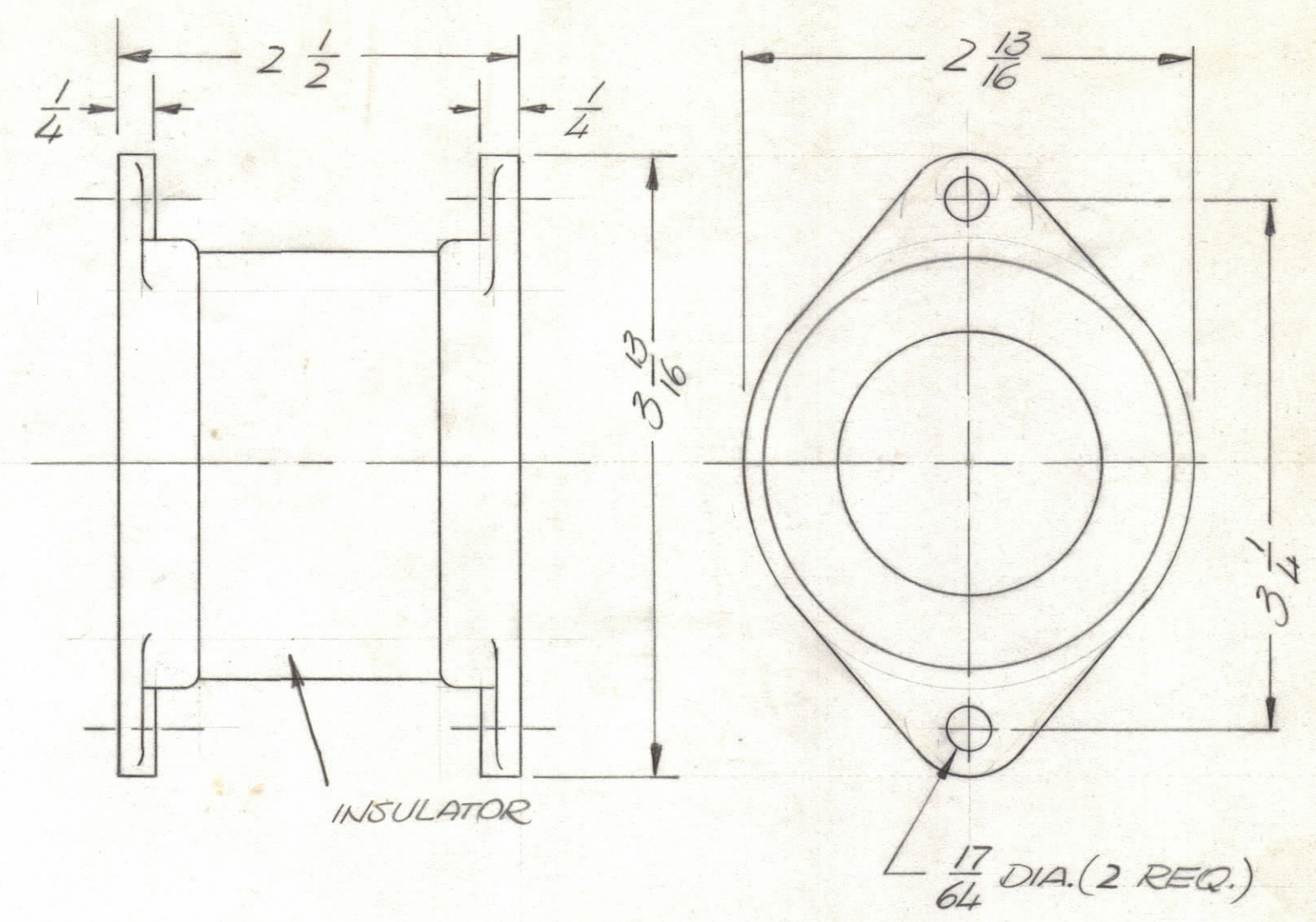
CAP. Pf	CAT. NO. 1950-	PWV	CURRENT RATING			
			3MC	1 MC	.3MC	.1MC
50	202	6000	2	1	.4	.15
75	203		2.8	1.6	.6	.2
100	204		3.5	2	.9	.3
150	206		4	3	1.3	.3
200	207		5	4	1.8	.4
250	208		6	5	2	.6
300	209		6	5	2	.6
350	210		6	5	2.5	.8
400	211		6.5	5	2.8	.9
500	212		7.5	5.7	3	1.
600	213		8	6	3	1.
700	214		8.5	6	3.5	1.2
800	215		9	7	3.5	1.5
1000	216		10	7	4	1.7
1500	217		11	8.5	6	3
2000	218		12	10	8	4
2500	219		13	12	8	4
3000	220		15	15	11	5
4000	221		16	16	12	6
5000	222	6000	16	17	13	7
6000	223	5000	16	18	13	7
7000	224	5000	16	19	14	7.5
8000	225	5000	17	20	14	8
10000	226	5000	17	21	15	9
15000	227	4000	18	21	16	10
20000	228	3000	18	22	18	12
30000	229	3000	18	23	20	13
40000	230	1500	18	23	22	14
50000	231	1500	18	25	23	15

CHART 2
TEMPERATURE COEFFICIENT

LETTER DESIGNATION	TEMP. COEFFICIENT PPM/°C	CAPACITANCE DRIFT
C	-200 TO +200	±0.5% (STANDARD)
D	-100 TO +100	±0.3%
E	-20 TO +100	±(0.1% +0.1 Mmf)
F	0 TO +70	±(0.05% +0.1 Mmf)

CHART 3
CAPACITANCE TOLERANCE

LETTER DESIGNATION	CAP. TOLERANCE
G	±2%
J	±5%



TMC P/N WILL BE IN THE FOLLOWING FORM

CM 124 C 1000 J

BASIC P/N ———— TOLERANCE SEE CHART 3

TEMPERATURE COEFFICIENT, SEE CHART 2 ———— CAPACITANCE IN Pf. SEE CHART 1

STANDARD COMMERCIAL CAPACITORS, SEE CM75 FOR MIL TYPE

QTY / UNIT	MODEL USED ON	ASS'Y NO.
APPLICATION		
CODE		
NOTICE TO PERSONS RECEIVING THIS DRAWING		
THE TECHNICAL MATERIEL CORPORATION claims proprietary right in the material disclosed hereon. This drawing is issued in confidence for engineering information only and may not be reproduced or used to manufacture anything shown hereon without permission from THE TECHNICAL MATERIEL CORPORATION to the user. This drawing is loaned for mutual assistance and is subject to recall at any time.		

UNLESS OTHERWISE SPECIFIED DIMENSIONS ARE IN INCHES AND INCLUDE CHEMICALLY APPLIED OR PLATED FINISHES

TOLERANCES ON

DECIMALS	FRACTIONS
.X ± .05	± 1/64
.XX ± .01	ANGLES
.XXX ± .005	± 0° -30'

MATERIAL

FINISH

QTY. REQ.	ITEM	PART NO.	DESCRIPTION	SYMBOL
LIST OF MATERIAL				
FINAL APPROVAL <i>[Signature]</i> DATE 22 MAR 73				
MECH. DES. <i>[Signature]</i> DATE 22 MAR 73				
ELECT. DES. <i>[Signature]</i> DATE 22 MAR 73				
CHECKED DATE				
DRAWN <i>GE</i> DATE 3/7/72				
THE TECHNICAL MATERIEL CORP. MAMARONECK, NEW YORK				
CAP. FXD. MICA, HV				
SIZE	CODE IDENT. NO.	DWG NO.	ISSUE	
C	82679	CM 124	0	
SCALE	SHEET			OF